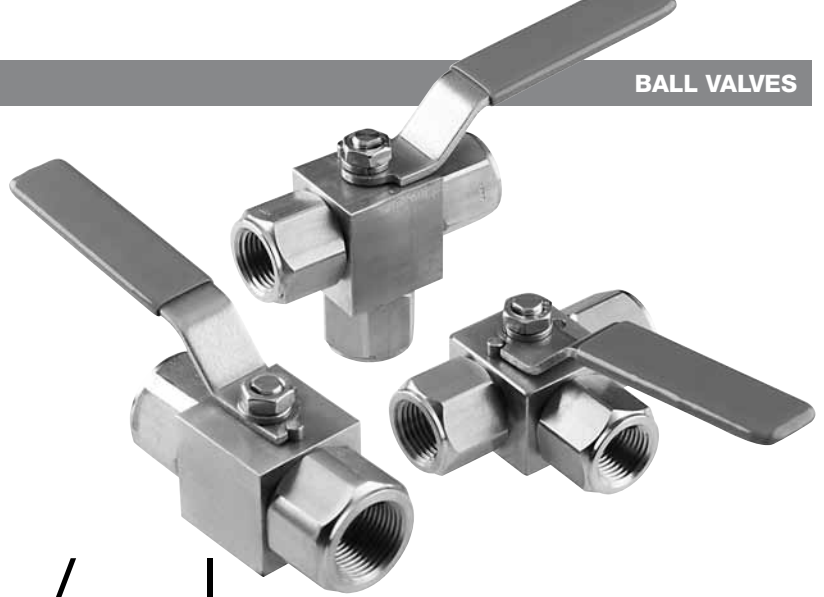


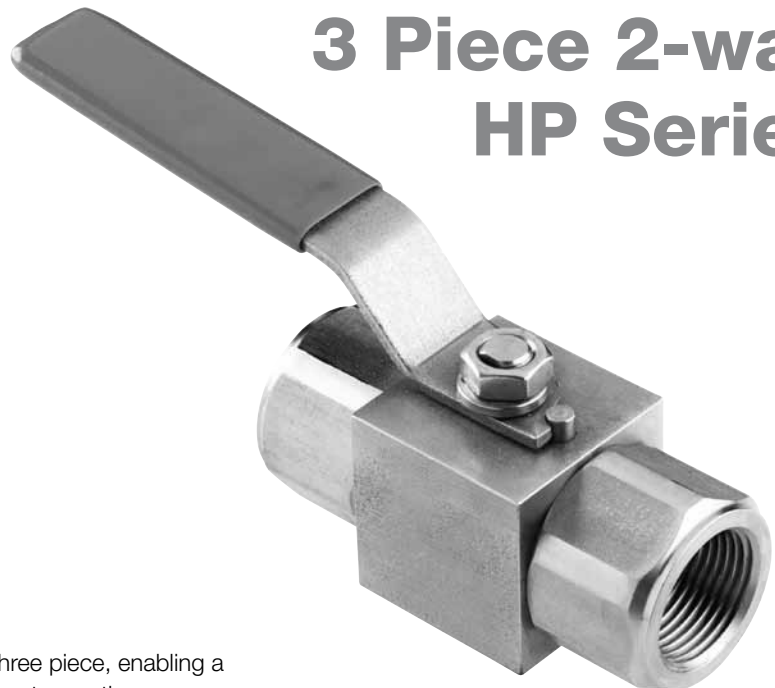
# Stainless Steel Ball Valves



## DESIGN FEATURES

- Pressure rating 6,895 kPa (1,000 psi) or 41,369 kPa (6,000 psi).
- Flexible three piece design.
- Internally loaded blow-out proof stem.
- Floating ball for positive shut-off.
- Low operating torque.
- Smooth 1/4 turn action.
- Replaceable seats and seals.
- Choice of lever or pointer handles.
- Locking kit available.
- Wide range of end connections.
- Panel mounting option.
- 100% factory tested.
- Can be easily actuated.
- Fully traceable material.
- Standard materials 316 Stainless Steel.
- Alternative materials available on request.

## 3 Piece 2-way HP Series



The original versatile ball valve, constructed as three piece, enabling a wide range of ends to be fitted to the standard centre section e.g. female/female, male/female, also easy to actuate with any actuator.

PART NUMBERING AND ORDERING TABLE					
Valve Series	Size	Threads	Material	Handle	Options
H - 6,895 kPa (1,000 psi)	8 - 1/4"	N - NPT	A - AlI/Bronze	PH - Pointer SH - Spanner/Flat Handle	ACT - Actuator use AE - Actuated electric DA - Double acting EP - Ends pinned LK - Locking PM - Panel Mount SR - Spring return
	10 - 3/8"	P - BSPP	C - C/Steel		
	15 - 1/2"	T - BSPT	D - Duplex SS		
HP - 41,369 kPa (6,000 psi)	20 - 3/4"		H - Hastelloy®		
	25 - 1"		I - Incoloy®		
	32 - 1-1/4"		M - Monel®		
	40 - 1-1/2"		S - 316 SS		
	50 - 2"		T - Titanium X - Special Z - Zirconium		

Typical Part Number: HP 15 N S SH

(41,369 kPa (6,000 psi) rated 15 (1/2") NPT 316 S/Steel Ball Valve with spanner/flat handle).  
Hastelloy, Incoloy and Monel are registered trademarks.

# Stainless Steel Ball Valves

## 3-way 3HP Series

### DESIGN FEATURES

- Pressure rating 6,895 kPa (1,000 psi) or 41,369 kPa (6,000 psi).
- Flexible three piece design.
- Side or bottom entry.
- Internally loaded blow-out proof stem.
- Floating ball for positive shut-off.
- Low operating torque.
- Smooth 1/4 turn action.
- Replaceable seats and seals.
- Choice of lever or pointer handles.
- Locking kit available.
- Wide range of end connections.
- Panel mounting option.
- 100% factory tested.
- Can be easily actuated.
- Fully traceable material.
- Standard materials 316 Stainless Steel.
- Alternative materials available on request.



This range of 3-way diverter valves has been developed with flexibility of end connections to suit your requirements. Available with either side or bottom entry inlet.

PART NUMBERING AND ORDERING TABLE					
Valve Series	Size	Threads	Material	Handle	Options
H - 6,895 kPa (1,000 psi)	8 - 1/4" 10 - 3/8" 15 - 1/2"	N - NPT P - BSPP T - BSPT	A - Alu/Bronze C - C/Steel D - Duplex SS H - Hastelloy® I - Incoloy® M - Monel® S - 316 SS T - Titanium X - Special Z - Zirconium	PH - Pointer SH - Spanner/ Flat Handle	ACT - Actuator use AE - Actuated electric DA - Double acting EP - Ends pinned LK - Locking PM - Panel Mount SR - Spring return
HP - 41,369 kPa (6,000 psi)	20 - 3/4" 25 - 1"	C1- Single ferrule C2- Twin ferrule			

Typical Part Number: 3H 10 N S SH

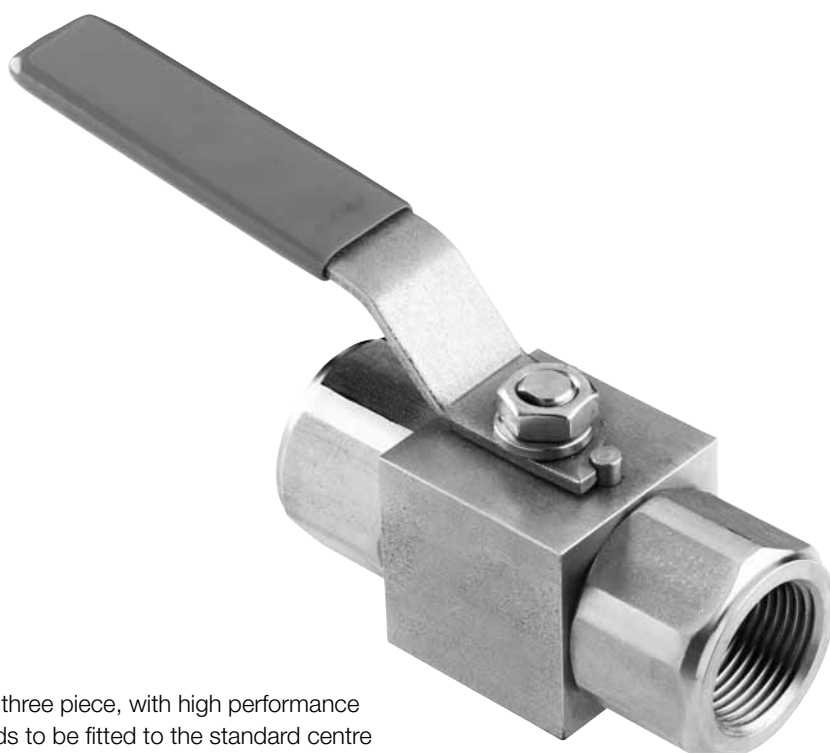
(6,895 kPa (1,000 psi) rated 10 (3/8") NPT 316 S/Steel Ball Valve with spanner/flat handle).  
Hastelloy, Incoloy and Monel are registered trademarks.

# Stainless Steel **HIGH PRESSURE** Ball Valves

## 3 piece 2-way HX Series

### DESIGN FEATURES

- Pressure rating 68,950 kPa (10,000 psi).
- Flexible three piece design.
- Internally loaded blow-out proof stem.
- Floating ball for positive shut-off.
- Low operating torque.
- Smooth 1/4 turn action.
- Replaceable seats and seals.
- Choice of lever or pointer handles.
- Locking kit available.
- Wide range of end connections.
- Panel mounting option.
- 100% factory tested.
- Can be easily actuated.
- Fully traceable material.
- Standard materials 316 Stainless Steel.
- Alternative materials available on request.



A robust high pressure valve, constructed as three piece, with high performance seats and seals, enabling a wide range of ends to be fitted to the standard centre section eg. female/female, male/female, also easy to actuate with any actuator.

PART NUMBERING AND ORDERING TABLE					
Valve Series	Size	Threads	Material	Handle	Options
HX - 68,950 kPa (10,000 psi)	8 - 1/4"	N - NPT	A - Alu/Bronze	PH - Pointer	ACT - Actuator use
	10 - 3/8"	P - BSPP	C - C/Steel	SH - Spanner/Flat Handle	AE - Actuated electric
	15 - 1/2"	T - BSPT	D - Duplex SS		DA - Double acting
	20 - 3/4"		H - Hastelloy®		EP - Ends pinned
	25 - 1"		I - Incoloy®		LK - Locking
			M - Monel®		PM - Panel Mount
			S - 316 SS		SR - Spring return
			T - Titanium		
			X - Special		
			Z - Zirconium		

Typical Part Number: HX 15 N S SH

(68,950 kPa (10,000 psi) rated 15 (1/2") NPT 316 S/Steel Ball Valve with spanner/flat handle).  
Hastelloy, Incoloy and Monel are registered trademarks.