

# 37° JIC Stainless Steel Fittings

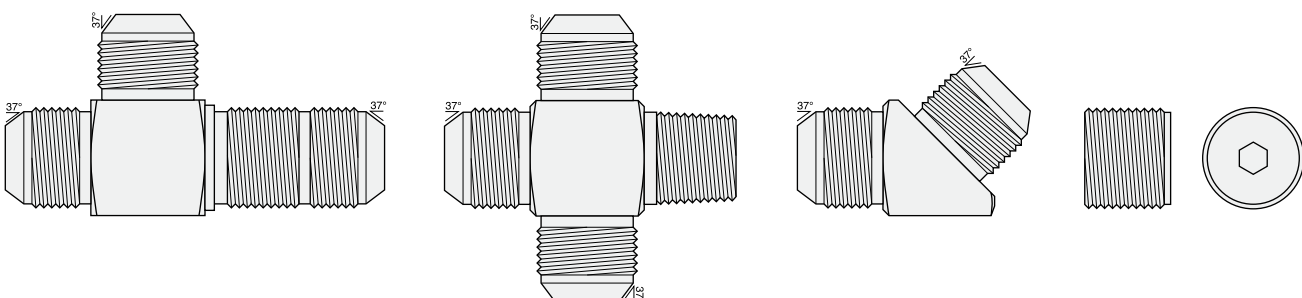
**Prochem manufactures and supplies an extensive range of JIC Fittings and Adaptors in all configurations.**

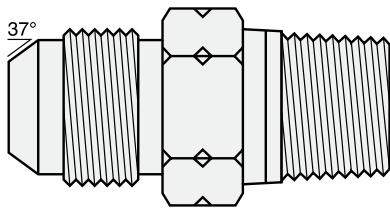


Prochem 37° JIC Fittings and Adaptors provide a straightforward, positive, mechanical seal. They have been used for many years for reliable sealing in commercial, industrial and military applications. All Prochem 37° JIC Fittings are manufactured in accordance with the Society of Automotive Engineers J514. They are proven to supply dependable, reusable connections under a wide range of operating conditions including extremes of vibration, temperature and shock.

A wide range of end configurations are suitable for many Hydraulic applications

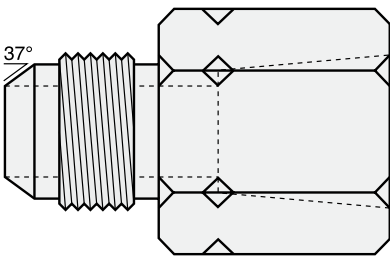
**Fittings can be specially manufactured to suit customer's requirements in a variety of stainless and special alloys.**





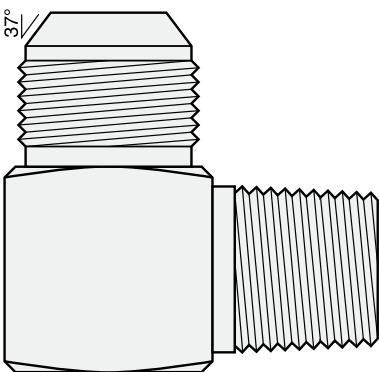
**Connector Male JIC/NPT**

PART NUMBER	DESCRIPTION
JCM04X02NA	7/16-20 JIC X 6NPT MALE 316
JCM04X04NA	7/16-20 JIC X 8NPT MALE 316
JCM04X06NA	7/16-20 JIC X 10NPT MALE 316
JCM04X08NA	7/16-20 JIC X 15NPT MALE 316
JCM06X02NA	9/16-18 JIC X 6NPT MALE 316
JCM06X04NA	9/16-18 JIC X 8NPT MALE 316
JCM06X06NA	9/16-18 JIC X 10NPT MALE 316
JCM06X08NA	9/16-18 JIC X 15NPT MALE 316
JCM08X06NA	3/4-16 JIC X 10NPT MALE 316
JCM08X08NA	3/4-16 JIC X 15NPT MALE 316
JCM08X12NA	3/4-16 JIC X 20NPT MALE 316
JCM10X08NA	7/8-14 JIC X 15NPT MALE 316
JCM12X08NA	1 1/16-12 JIC X 15NPT MALE 316
JCM12X12NA	1 1/16-12 JIC X 20NPT MALE 316
JCM12X16NA	1 1/16-12 JIC X 25NPT MALE 316
JCM16X12NA	1 5/16-12 JIC X 20NPT MALE 316
JCM16X16NA	1 5/16-12 JIC X 25NPT MALE 316



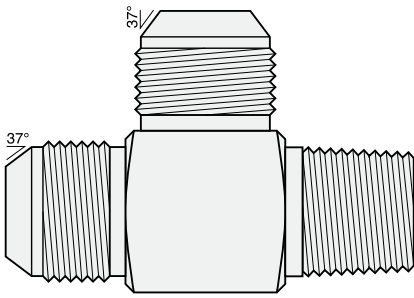
**Connector Female JIC/NPT**

PART NUMBER	DESCRIPTION
JCF04X04NA	7/16-20 JIC X 8NPT FEMALE 316
JCF06X04NA	9/16-18 JIC X 8NPT FEMALE 316
JCF06X06NA	9/16-18 JIC X 10NPT FEMALE 316
JCF06X08NA	9/16-18 JIC X 15NPT FEMALE 316
JCF08X08NA	3/4-16 JIC X 15NPT FEMALE 316
JCF10X08NA	7/8-14 JIC X 15NPT FEMALE 316
JCF12X12NA	1 1/16-12 JIC X 20NPT FEMALE 316
JCF16X16NA	1 5/16-12 JIC X 25NPT FEMALE 316



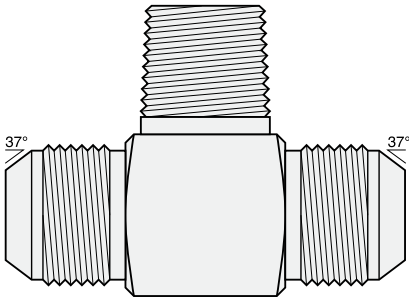
**Elbow 90° Male JIC/NPT**

PART NUMBER	DESCRIPTION
JLM04X02NA	7/16-20 JIC X 6NPT ELBOW 90° MALE 316
JLM04X04NA	7/16-20 JIC X 8NPT ELBOW 90° MALE 316
JLM06X02NA	9/16-18 JIC X 6NPT ELBOW 90° MALE 316
JLM06X04NA	9/16-18 JIC X 8NPT ELBOW 90° MALE 316
JLM06X06NA	9/16-18 JIC X 10NPT ELBOW 90° MALE 316
JLM08X04NA	3/4-16 JIC X 8NPT ELBOW 90° MALE 316
JLM08X06NA	3/4-16 JIC X 10NPT ELBOW 90° MALE 316
JLM08X08NA	3/4-16 JIC X 15NPT ELBOW 90° MALE 316
JLM10X06NA	7/8-14 JIC X 10NPT ELBOW 90° MALE 316
JLM10X08NA	7/8-14 JIC X 15NPT ELBOW 90° MALE 316
JLM12X08NA	1 1/16-12 JIC X 15NPT ELBOW 90° MALE 316
JLM12X12NA	1 1/16-12 JIC X 20NPT ELBOW 90° MALE 316
JLM16X08NA	1 5/16-12 JIC X 15NPT ELBOW 90° MALE 316
JLM16X12NA	1 5/16-12 JIC X 20NPT ELBOW 90° MALE 316
JLM16X16NA	1 5/16-12 JIC X 25NPT ELBOW 90° MALE 316
JLM20X20NA	1 5/8-12 JIC X 32NPT ELBOW 90° MALE 316
JLM24X24NA	1 7/8-12 JIC X 40NPT ELBOW 90° MALE 316



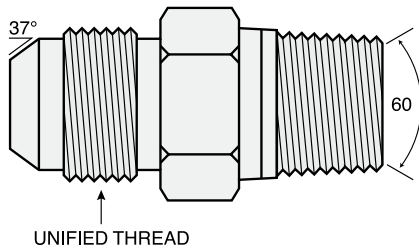
Run Tee Male JIC/NPT

PART NUMBER	DESCRIPTION
JTMT04X02NA	7/16-20 JIC X 6NPT X 7/16-20 JIC RUN TEE MALE 316
JTMT04X04NA	7/16-20 JIC X 8NPT X 7/16-20 JIC RUN TEE MALE 316
JTMT06X04NA	9/16-18 JIC X 8NPT X 9/16-18 JIC RUN TEE MALE 316
JTMT06X06NA	9/16-18 JIC X 10NPT X 9/16-18 JIC RUN TEE MALE 316
JTMT08X06NA	3/4-16 JIC X 10NPT X 3/4-16 JIC RUN TEE MALE 316
JTMT08X08NA	3/4-16 JIC X 15NPT X 3/4-16 JIC RUN TEE MALE 316
JTMT10X08NA	7/8-14 JIC X 15NPT X 7/8-14 JIC RUN TEE MALE 316
JTMT12X12NA	1 1/16-12 JIC X 20NPT X 1 1/16-12 JIC RUN TEE MALE 316



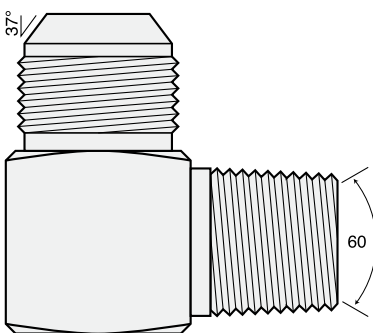
Branch Tee Male JIC/NPT

PART NUMBER	DESCRIPTION
JTTM04X02NA	7/16-20 JIC X 7/16-20 JIC X 6NPT BRANCH TEE MALE 316
JTTM04X04NA	7/16-20 JIC X 7/16-20 JIC X 8NPT BRANCH TEE MALE 316
JTTM06X04NA	9/16-18 JIC X 9/16-18 JIC X 8NPT BRANCH TEE MALE 316
JTTM06X06NA	9/16-18 JIC X 9/16-18 JIC X 10NPT BRANCH TEE MALE 316
JTTM08X06NA	3/4-16 JIC X 3/4-16 JIC X 10NPT BRANCH TEE MALE 316
JTTM08X08NA	3/4-16 JIC X 3/4-16 JIC X 15NPT BRANCH TEE MALE 316
JTTM10X08NA	7/8-14 JIC X 7/8-14 JIC X 15NPT BRANCH TEE MALE 316
JTTM12X12NA	1 1/16-12 JIC X 1 1/16-12 JIC X 20NPT BRANCH TEE MALE 316



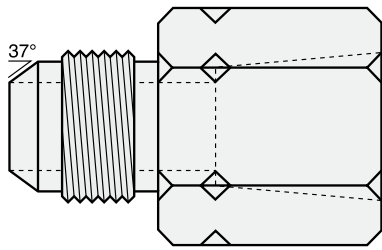
Connector Male JIC/R-BSPT

PART NUMBER	DESCRIPTION
JCM04x02EA	7/16-20 JIC X R6 BSPT MALE 316
JCM04x04EA	7/16-20 JIC X R8 BSPT MALE 316
JCM04x06EA	7/16-20 JIC X R10 BSPT MALE 316
JCM04x08EA	7/16-20 JIC X R15 BSPT MALE 316
JCM06x02EA	9/16-18 JIC X R6 BSPT MALE 316
JCM06x04EA	9/16-18 JIC X R8 BSPT MALE 316
JCM06x06EA	9/16-18 JIC X R10 BSPT MALE 316
JCM06x08EA	9/16-18 JIC X R15 BSPT MALE 316
JCM08x06EA	3/4-16 JIC X R10 BSPT MALE 316
JCM08x08EA	3/4-16 JIC X R15 BSPT MALE 316
JCM08x12EA	3/4-16 JIC X R20 BSPT MALE 316
JCM10x08EA	7/8-14 JIC X R15 BSPT MALE 316
JCM12x08EA	1 1/16-12 JIC X R15 BSPT MALE 316
JCM12x12EA	1 1/16-12 JIC X R20 BSPT MALE 316
JCM12x16EA	1 1/16-12 JIC X R25 BSPT MALE 316
JCM16x12EA	1 5/16-12 JIC X R20 BSPT MALE 316
JCM16x16EA	1 5/16-12 JIC X R25 BSPT MALE 316



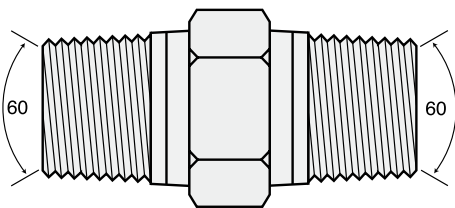
Elbow 90° Male JIC/R-BSPT

PART NUMBER	DESCRIPTION
JLM04X02EA	7/16-20 JIC X R6 BSPT ELBOW 90° MALE 316
JLM04X04EA	7/16-20 JIC X R8 BSPT ELBOW 90° MALE 316
JLM06X04EA	9/16-18 JIC X R8 BSPT ELBOW 90° MALE 316
JLM06X06EA	9/16-18 JIC X R10 BSPT ELBOW 90° MALE 316
JLM08X06EA	3/4-16 JIC X R10 BSPT ELBOW 90° MALE 316
JLM08X08EA	3/4-16 JIC X R15 BSPT ELBOW 90° MALE 316
JLM10X08EA	7/8-14 JIC X R15 BSPT ELBOW 90° MALE 316
JLM12X12EA	1 1/16-12 JIC X R20 BSPT ELBOW 90° MALE 316
JLM16X16EA	1 5/16-12 JIC X R25 BSPT ELBOW 90° MALE 316



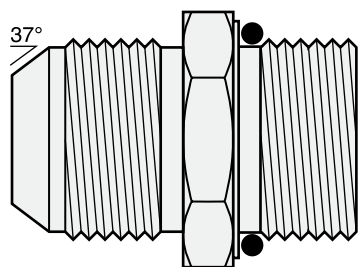
**Connector Female  
JIC/Rc-BSPT**

PART NUMBER	DESCRIPTION
JCF04X04EA	7/16-20 JIC X Rc8 BSPT FEMALE 316
JCF06X04EA	9/16-18 JIC X Rc8 BSPT FEMALE 316
JCF06X06EA	9/16-18 JIC X Rc10 BSPT FEMALE 316
JCF06X08EA	9/16-18 JIC X Rc15 BSPT FEMALE 316
JCF08X08EA	3/4-16 JIC X Rc15 BSPT FEMALE 316
JCF10X08EA	7/8-14 JIC X Rc15 BSPT FEMALE 316
JCF12X12EA	1 1/16-12 JIC X Rc20 BSPT FEMALE 316
JCF16X16EA	1 5/16-12 JIC X Rc25 BSPT FEMALE 316



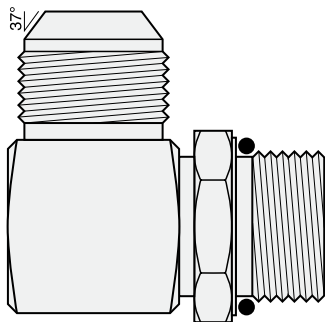
**Hex Nipple Male R-BSPT**

PART NUMBER	DESCRIPTION
BSPC HN 008A X 60	R8 BSPT X 60° CONE CL3000 HEX NIPPLE 316
BSPC HN 010A X 60	R10 BSPT X 60° CONE CL3000 HEX NIPPLE 316
BSPC HN 015A X 60	R15 BSPT X 60° CONE CL3000 HEX NIPPLE 316
BSPC HN 020A X 60	R20 BSPT X 60° CONE CL3000 HEX NIPPLE 316
BSPC HN 025A X 60	R25 BSPT X 60° CONE CL3000 HEX NIPPLE 316
BSPC HN 032A X 60	R32 BSPT X 60° CONE CL3000 HEX NIPPLE 316
BSPC HN 040A X 60	R40 BSPT X 60° CONE CL3000 HEX NIPPLE 316
BSPC HN 050A X 60	R50 BSPT X 60° CONE CL3000 HEX NIPPLE 316



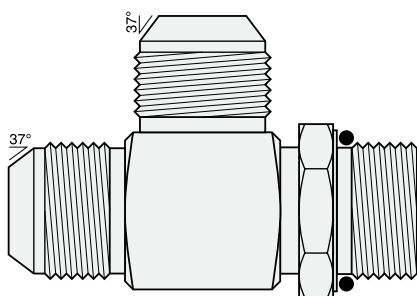
**Connector Male O Ring Seal  
JIC/UNO**

PART NUMBER	DESCRIPTION
JCMO04X04A	7/16-20 JIC X 7/16-20 ORB CONNECTOR MALE O RING 316
JCMO06X04A	9/16-18 JIC X 7/16-20 ORB CONNECTOR MALE O RING 316
JCMO06X06A	9/16-18 JIC X 9/16-18 ORB CONNECTOR MALE O RING 316
JCMO08X06A	3/4-16 JIC X 9/16-18 ORB CONNECTOR MALE O RING 316
JCMO08X08A	3/4-16 JIC X 3/4-16 ORB CONNECTOR MALE O RING 316
JCMO08X10A	3/4-16 JIC X 7/8-14 ORB CONNECTOR MALE O RING 316
JCMO10X06A	7/8-14 JIC X 9/16-18 ORB CONNECTOR MALE O RING 316
JCMO10X08A	7/8-14 JIC X 3/4-16 ORB CONNECTOR MALE O RING 316
JCMO10X10A	7/8-14 JIC X 7/8-14 ORB CONNECTOR MALE O RING 316
JCMO12X08A	1 1/16-12 JIC X 3/4-16 ORB CONNECTOR MALE O RING 316
JCMO12X10A	1 1/16-12 JIC X 7/8-14 ORB CONNECTOR MALE O RING 316
JCMO12X12A	1 1/16-12 JIC X 1 1/16-12 ORB CONNECTOR MALE O RING 316
JCMO16X12A	1 5/16-12 JIC X 1 1/16-12 ORB CONNECTOR MALE O RING 316
JCMO16X16A	1 5/16-12 JIC X 1 5/16-12 ORB CONNECTOR MALE O RING 316



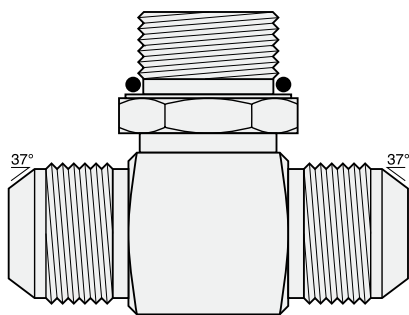
**Elbow 90° Male O Ring Seal  
JIC/UNO**

PART NUMBER	DESCRIPTION
JLMO04X04A	7/16-20 JIC X 7/16-20 ORB ELBOW 90° MALE O RING 316
JLMO06X04A	9/16-18 JIC X 7/16-20 ORB ELBOW 90° MALE O RING 316
JLMO06X06A	9/16-18 JIC X 9/16-18 ORB ELBOW 90° MALE O RING 316
JLMO08X08A	3/4-16 JIC X 3/4-16 ORB ELBOW 90° MALE O RING 316
JLMO08X10A	3/4-16 JIC X 7/8-14 ORB ELBOW 90° MALE O RING 316
JLMO10X08A	7/8-14 JIC X 3/4-16 ORB ELBOW 90° MALE O RING 316
JLMO10X10A	7/8-14 JIC X 7/8-14 ORB ELBOW 90° MALE O RING 316
JLMO12X08A	1 1/16-12 JIC X 3/4-16 ORB ELBOW 90° MALE O RING 316
JLMO12X12A	1 1/16-12 JIC X 1 1/16-12 ORB ELBOW 90° MALE O RING 316
JLMO16X16A	1 5/16-12 JIC X 1 5/16-12 ORB ELBOW 90° MALE O RING 316



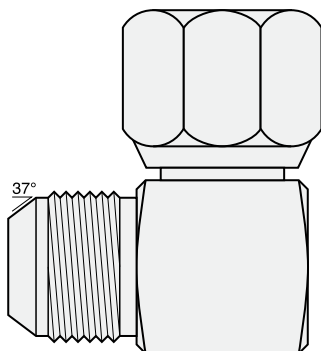
**Tee Run Male O Ring  
JIC/UNO**

PART NUMBER	DESCRIPTION
JTMTO 04X04A	7/16-20 JIC X 7/16-20 ORB X 7/16-20 JIC MALE O RING RUN TEE 316
JTMTO 06X06A	9/16-18 JIC X 9/16-18 ORB X 9/16-18 JIC MALE O RING RUN TEE 316
JTMTO 08X08A	3/4-16 JIC X 3/4-16 ORB X 3/4-16 JIC MALE O RING RUN TEE 316
JTMTO 10X10A	7/8-14 JIC X 7/8-14 ORB X 7/8-14 JIC MALE O RING RUN TEE 316
JTMTO 12X12A	1 1/16-12 JIC X 1 1/16-12 ORB X 1 1/16-12 JIC MALE O RING RUN TEE 316
JTMTO 16X16A	1 5/16-12 JIC X 1 5/16-12 ORB X 1 5/16-12 JIC MALE O RING RUN TEE 316



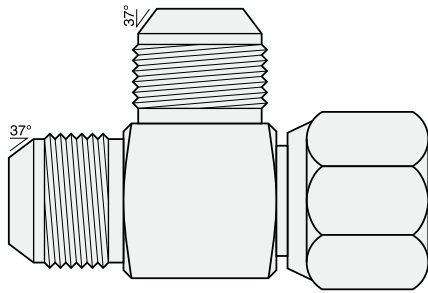
**Tee Branch Male O Ring  
JIC/UNO**

PART NUMBER	DESCRIPTION
JTTMO 04X04A	7/16-20 JIC X 7/16-20 JIC X 7/16-20 ORB MALE O RING BRANCH TEE 316
JTTMO 06X06A	9/16-18 JIC X 9/16-18 JIC X 9/16-18 ORB MALE O RING BRANCH TEE 316
JTTMO 08X08A	3/4-16 JIC X 3/4-16 JIC X 3/4-16 ORB MALE O RING BRANCH TEE 316
JTTMO 10X10A	7/8-14 JIC X 7/8-14 JIC X 7/8-14 ORB MALE O RING BRANCH TEE 316
JTTMO 12X12A	1 1/16-12 JIC X 1 1/16-12 JIC X 1 1/16-12 ORB MALE O RING BRANCH TEE 316
JTTMO 16X16A	1 5/16-12 JIC X 1 5/16-12 JIC X 1 5/16-12 ORB MALE O RING BRANCH TEE 316



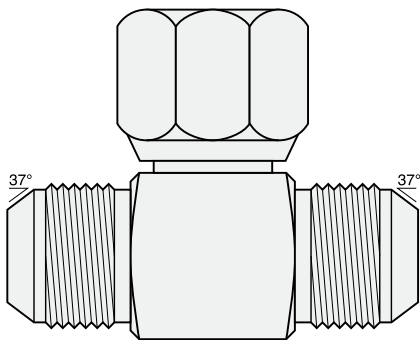
**Elbow 90° JIC/Swivel Nut**

PART NUMBER	DESCRIPTION
JLS04XA	7/16-20 JIC MALE X 7/16-20 JIC ELBOW 90° FEMALE SWIVEL 316
JLS06XA	9/16-18 JIC MALE X 9/16-18 JIC ELBOW 90° FEMALE SWIVEL 316
JLS08XA	3/4-16 JIC MALE X 3/4-16 JIC ELBOW 90° FEMALE SWIVEL 316
JLS10XA	7/8-14 JIC MALE X 7/8-14 JIC ELBOW 90° FEMALE SWIVEL 316
JLS12XA	1 1/16-12 JIC MALE X 1 1/16-12 JIC ELBOW 90° FEMALE SWIVEL 316
JLS16XA	1 5/16-12 JIC MALE X 1 5/16-12 JIC ELBOW 90° FEMALE SWIVEL 316



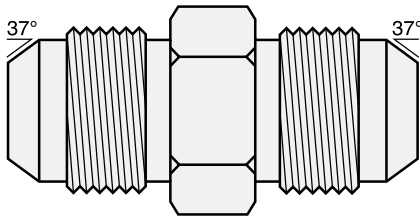
**Run Tee JIC/Swivel**

PART NUMBER	DESCRIPTION
JTST04X04A	7/16-20 JIC X 7/16-20 JIC X 7/16-20 JIC RUN TEE SWIVEL 316
JTST06X06A	9/16-18 JIC X 9/16-18 JIC X 9/16-18 JIC RUN TEE SWIVEL 316
JTST08X08A	3/4-16 JIC X 3/4-16 JIC X 3/4-16 JIC RUN TEE SWIVEL 316
JTST10X10A	7/8-14 JIC X 7/8-14 JIC X 7/8-14 JIC RUN TEE SWIVEL 316
JTST12X12A	1 1/16-12 JIC X 1 1/16-12 JIC X 1 1/16-12 JIC RUN TEE SWIVEL 316
JTST16X16A	1 5/16-12 JIC X 1 5/16-12 JIC X 1 5/16-12 JIC RUN TEE SWIVEL 316



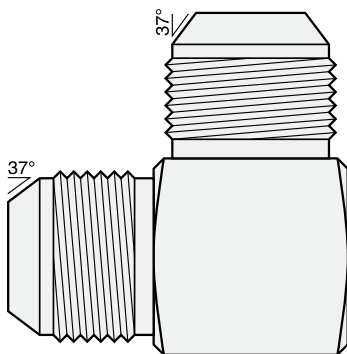
**Branch Tee JIC/Swivel**

PART NUMBER	DESCRIPTION
JTTS04X04A	7/16-20 JIC X 7/16-20 JIC X 7/16-20 JIC BRANCH TEE SWIVEL 316
JTTS06X06A	9/16-18 JIC X 9/16-18 JIC X 9/16-18 JIC BRANCH TEE SWIVEL 316
JTTS08X08A	3/4-16 JIC X 3/4-16 JIC X 3/4-16 JIC BRANCH TEE SWIVEL 316
JTTS10X10A	7/8-14 JIC X 7/8-14 JIC X 7/8-14 JIC BRANCH TEE SWIVEL 316
JTTS12X12A	1 1/16-12 JIC X 1 1/16-12 JIC X 1 1/16-12 JIC BRANCH TEE SWIVEL 316
JTTS16X16A	1 5/16-12 JIC X 1 5/16-12 JIC X 1 5/16-12 JIC BRANCH TEE SWIVEL 316



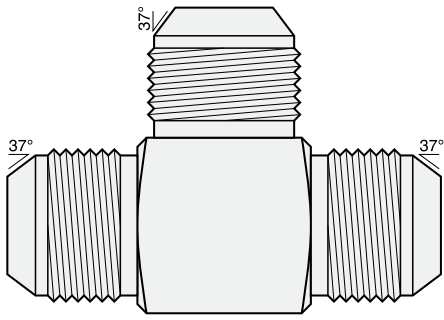
**Union Male JIC**

PART NUMBER	DESCRIPTION
JU02A	5/16-24 JIC UNION 316
JU04A	7/16-20 JIC UNION 316
JU06A	9/16-18 JIC UNION 316
JU08A	3/4-16 JIC UNION 316
JU10A	7/8-14 JIC UNION 316
JU12A	1 1/16-12 JIC UNION 316
JU16A	1 5/8-12 JIC UNION 316
JU20A	1 5/8-12 JIC UNION 316
JU24A	1 7/8-12 JIC UNION 316
JU32A	2 1/2-12 JIC UNION 316



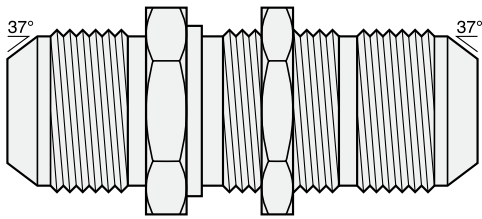
**Elbow 90° Male Union JIC**

PART NUMBER	DESCRIPTION
JLU04A	7/16-20 JIC ELBOW 90° UNION 316
JLU06A	9/16-18 JIC ELBOW 90° UNION 316
JLU08A	3/4-16 JIC ELBOW 90° UNION 316
JLU10A	7/8-14 JIC ELBOW 90° UNION 316
JLU12A	1 1/16-12 JIC ELBOW 90° UNION 316
JLU16A	1 5/16-12 JIC ELBOW 90° UNION 316
JLU20A	1 5/8-12 JIC ELBOW 90° UNION 316
JLU24A	1 7/8-12 JIC ELBOW 90° UNION 316
JLU32A	2 1/2-12 JIC ELBOW 90° UNION 316



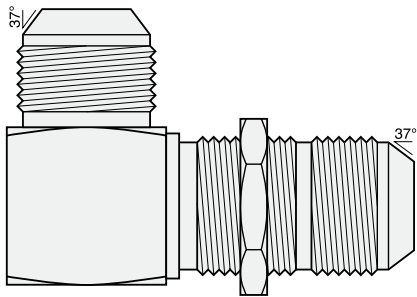
**Tee Union Male JIC**

PART NUMBER	DESCRIPTION
JTTT02A	5/16-24 JIC TEE UNION 316
JTTT04A	7/16-20 JIC TEE UNION 316
JTTT06A	9/16-18 JIC TEE UNION 316
JTTT08A	3/4-16 JIC TEE UNION 316
JTTT10A	7/8-14 JIC TEE UNION 316
JTTT12A	1 1/16-12 JIC TEE UNION 316
JTTT16A	1 5/16-12 JIC TEE UNION 316
JTTT20A	1 5/8-12 JIC TEE UNION 316
JTTT24A	1 7/8-12 JIC TEE UNION 316
JTTT32A	2 1/2-12 JIC TEE UNION 316



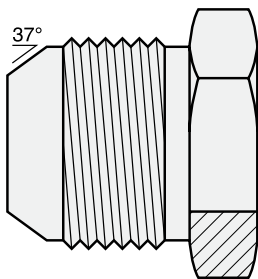
**Bulkhead Straight Male Union JIC**

PART NUMBER	DESCRIPTION
JBU04A	7/16-20 JIC BULKHEAD UNION 316
JBU06A	9/16-18 JIC BULKHEAD UNION 316
JBU08A	3/4-16 JIC BULKHEAD UNION 316
JBU10A	7/8-14 JIC BULKHEAD UNION 316
JBU12A	1 1/16-12 JIC BULKHEAD UNION 316
JBU14A	1 3/16-12 JIC BULKHEAD UNION 316
JBU16A	1 5/16-12 JIC BULKHEAD UNION 316



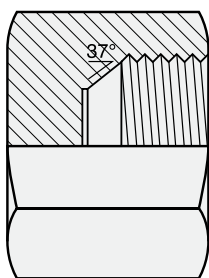
**Bulkhead Elbow 90° Male JIC**

PART NUMBER	DESCRIPTION
JBLU04A	7/16-20 JIC ELBOW 90° BULKHEAD UNION 316
JBLU06A	9/16-18 JIC ELBOW 90° BULKHEAD UNION 316
JBLU08A	3/4-16 JIC ELBOW 90° BULKHEAD UNION 316
JBLU10A	7/8-14 JIC ELBOW 90° BULKHEAD UNION 316
JBLU12A	1 1/16-12 JIC ELBOW 90° BULKHEAD UNION 316
JBLU16A	1 5/16-12 JIC ELBOW 90° BULKHEAD UNION 316



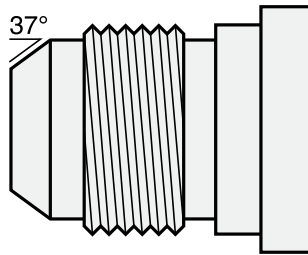
**Plug JIC Male**

PART NUMBER	DESCRIPTION
JPH02A	5/16-24 JIC PLUG 316
JPH04A	7/16-20 JIC PLUG 316
JPH06A	9/16-18 JIC PLUG 316
JPH08A	3/4-16 JIC PLUG 316
JPH10A	7/8-14 JIC PLUG 316
JPH12A	1 1/16-12 JIC PLUG 316
JPH16A	1 5/16-12 JIC PLUG 316
JPH20A	1 5/8-12 JIC PLUG 316
JPH24A	1 7/8-12 JIC PLUG 316
JPH32A	2 1/2-12 JIC PLUG 316



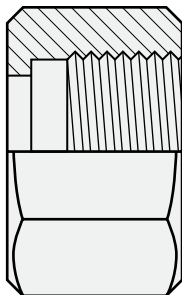
**Cap Nut JIC Fixed**

PART NUMBER	DESCRIPTION
JCH02A	5/16-24 JIC CAP NUT 316
JCH04A	7/16-20 JIC CAP NUT 316
JCH06A	9/16-18 JIC CAP NUT 316
JCH08A	3/4-16 JIC CAP NUT 316
JCH10A	7/8-14 JIC CAP NUT 316
JCH12A	1 1/16-12 JIC CAP NUT 316
JCH14A	1 3/16-12 JIC CAP NUT 316
JCH16A	1 5/16-12 JIC CAP NUT 316



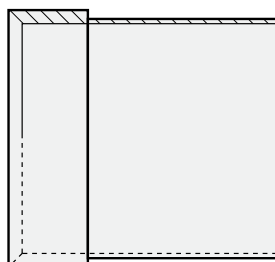
**Reducer JIC/JIC**

PART NUMBER	DESCRIPTION
JRA06X04A	9/16-18 JIC X 7/16-20 JIC REDUCING ADAPTOR 316
JRA08X04A	3/4-16 JIC X 7/16-20 JIC REDUCING ADAPTOR 316
JRA08X06A	3/4-16 JIC X 9/16-18 JIC REDUCING ADAPTOR 316
JRA10X04A	7/8-14 JIC X 7/16-20 JIC REDUCING ADAPTOR 316
JRA10X06A	7/8-14 JIC X 9/16-18 JIC REDUCING ADAPTOR 316
JRA10X08A	7/8-14 JIC X 3/4-16 JIC REDUCING ADAPTOR 316
JRA12X04A	1 1/16-12 JIC X 7/16-20 JIC REDUCING ADAPTOR 316
JRA12X06A	1 1/16-12 JIC X 9/16-18 JIC REDUCING ADAPTOR 316
JRA12X08A	1 1/16-12 JIC X 3/4-16 JIC REDUCING ADAPTOR 316
JRA12X10A	1 1/16-12 JIC X 7/8-14 JIC REDUCING ADAPTOR 316
JRA16X08A	1 5/16-12 JIC X 3/4-16 JIC REDUCING ADAPTOR 316
JRA16X12A	1 5/16-12 JIC X 1 1/16-12 JIC REDUCING ADAPTOR 316
JRA20X12A	1 5/8-12 JIC X 1 1/16-12 JIC REDUCING ADAPTOR 316
JRA20X16A	1 5/8-12 JIC X 1 5/16-12 JIC REDUCING ADAPTOR 316
JRA24X16A	1 7/8-12 JIC X 1 5/16-12 JIC REDUCING ADAPTOR 316
JRA24X20A	1 7/8-12 JIC X 1 5/8-12 JIC REDUCING ADAPTOR 316
JRA32X24A	2 1/2-12 JIC X 1 7/8-12 JIC REDUCING ADAPTOR 316



**Tube Nut**

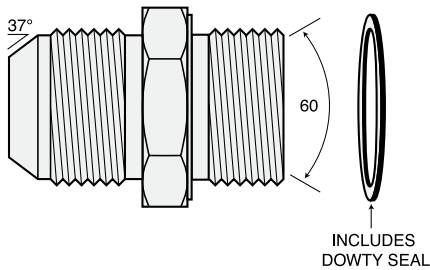
PART NUMBER	DESCRIPTION
JN02A	5/16-24 JIC NUT 316
JN04A	7/16-20 JIC NUT 316
JN06A	9/16-18 JIC NUT 316
JN08A	3/4-16 JIC NUT 316
JN10A	7/8-14 JIC NUT 316
JN12A	1 1/16-12 JIC NUT 316
JN14A	1 3/16-12 JIC NUT 316
JN16A	1 5/16-12 JIC NUT 316
JN20A	1 5/8-12 JIC NUT 316
JN24A	1 7/8-12 JIC NUT 316
JN32A	2 1/2-12 JIC NUT 316



**Tube Sleeve**

PART NUMBER	DESCRIPTION
JTSL02A	5/16-24 JIC TUBE SLEEVE 316
JTSL04A	7/16-20 JIC TUBE SLEEVE 316
JTSL06A	9/16-18 JIC TUBE SLEEVE 316
JTSL08A	3/4-16 JIC TUBE SLEEVE 316
JTSL10A	7/8-14 JIC TUBE SLEEVE 316
JTSL12A	1 1/16-12 JIC TUBE SLEEVE 316
JTSL14A	1 3/16-12 JIC TUBE SLEEVE 316
JTSL16A	1 5/16-12 JIC TUBE SLEEVE 316
JTSL20A	1 5/8-12 JIC TUBE SLEEVE 316
JTSL24A	1 7/8-12 JIC TUBE SLEEVE 316
JTSL32A	2 1/2-12 JIC TUBE SLEEVE 316





**Connector Male JIC  
G-BSP Parallel**

PART NUMBER	DESCRIPTION
JCM04X04GAD	7/16-20 JIC x G8 MALE CONNECTOR inc. Dowty Seal 316
JCM04X06GAD	7/16-20 JIC x G10 MALE CONNECTOR inc. Dowty Seal 316
JCM06X04GAD	9/16-18 JIC x G8 MALE CONNECTOR inc. Dowty Seal 316
JCM06X06GAD	9/16-18 JIC x G10 MALE CONNECTOR inc. Dowty Seal 316
JCM06X08GAD	9/16-18 JIC x G15 MALE CONNECTOR inc. Dowty Seal 316
JCM08X06GAD	3/4-16 JIC x G10 MALE CONNECTOR inc. Dowty Seal 316
JCM08X08GAD	3/4-16 JIC x G15 MALE CONNECTOR inc. Dowty Seal 316
JCM08X12GAD	3/4-16 JIC x G20 MALE CONNECTOR inc. Dowty Seal 316
JCM010X08GAD	7/8-14 JIC x G15 MALE CONNECTOR inc. Dowty Seal 316
JCM12X08GAD	1 1/16-12 JIC x G15 MALE CON inc. Dowty Seal 316
JCM12X12GAD	1 1/16-12 JIC x G20 MALE CON inc. Dowty Seal 316
JCM12X16GAD	1 1/16-12 JIC x G25 MALE CON inc. Dowty Seal 316
JCM16X12GAD	1 5/16-12 JIC x G20 MALE CON inc. Dowty Seal 316
JCM20X16GAD	1 5/8-12 JIC x G25 MALE CON inc. Dowty Seal 316

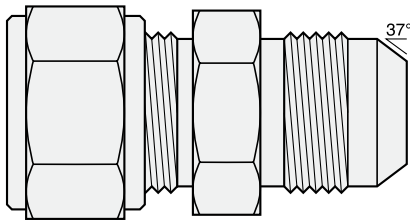
**SAE J514 WORKING PRESSURE RATINGS**

All of these Prochem manufactured fittings have been designed in accordance with SAE J1065 MAR92 with 4x safety factor and have been validated by hydrostatically testing to 4xWP for non-burst test and 2xWP for leak test. Higher pressures are possible in this Standard, if for example 3x safety factor is employed, however the Standard recommends user testing under application conditions.

Note: In the case of a fitting that is a jump size, it is recommended that the lower pressure of the two ends must be recognised as the working pressure rating for that fitting. This is also the case if the fitting has one or more different style ends. For example, straight threads to pipe threads. In this case it is also recommended that the lower pressure rating of the two different style ends must be recognised as the working pressure rating for that fitting.

Nom SAE Dash Size	Nom Tube OD mm	Nom Tube OD inch	Straight Thread Size	Nom Pipe Size	Ridid SAE Std. Thread Unions & Bulkhead MPa	Ridid SAE Std. Thread Unions & Bulkhead psi	Adjustable SAE Std. Thread & Female Swivel MPa	Adjustable SAE Std. Thread & Female Swivel psi	Fittings with Pipe Thread MPa	Fittings with Pipe Thread psi	NPSM Std. Pipe Thread Maximum Operating Pressure MPa	NPSM Std. Pipe Thread Maximum Operating Pressure psi
2	3.18	0.125	5/16-24	1/8	34.5	5,000	34.5	5,000	34.5	5,000	34.5	5,000
3	4.76	0.188	3/8-24	1/8	34.5	5,000	34.5	5,000	34.5	5,000	-	-
4	6.35	0.250	7/16-20	1/8	34.5	5,000	31.0	4,500	34.5	5,000	34.5	5,000
5	7.94	0.313	1/2-20	1/8	34.5	5,000	27.5	4,000	34.5	5,000	-	-
6	9.52	0.375	9/16-18	1/4	34.5	5,000	27.5	4,000	27.5	4,000	27.5	4,000
8	12.70	0.500	3/4-16	3/8	31.0	4,500	27.5	4,000	21.0	3,000	24.1	3,500
10	15.88	0.625	7/8-14	1/2	24.0	3,500	21.0	3,000	21.0	3,000	-	-
12	19.05	0.750	1 1/16-12	3/4	24.0	3,500	21.0	3,000	17.0	2,500	15.5	2,250
14	22.22	0.875	1 3/16-12	3/4	21.0	3,000	17.0	2,500	17.0	2,500	-	-
16	25.40	1,000	1 5/16-12	1	21.0	3,000	17.0	2,500	14.0	2,000	13.8	2,000
20	31.75	1,250	1 5/8-12	1 1/4	17.0	2,500	14.0	2,000	8.0	1,150	11.2	1,625
24	38.10	1,500	1 7/8-12	1 1/2	14.0	2,000	10.5	1,500	7.0	1,000	8.6	1,250
32	50.30	2,000	2 1/2-12	2	10.5	1,500	8.0	1,125	7.0	1,000	7.8	1,125

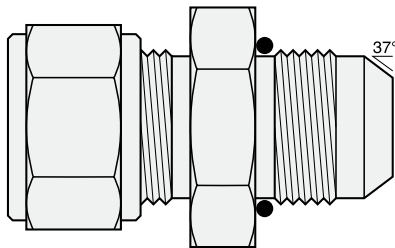
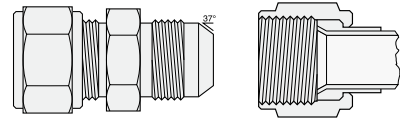
**WARNING:** Improper selection or use of products described herein can cause personal injury or property damage. Whilst every care has been taken in preparation of the data contained in this booklet, Prochem Pipeline Products accepts no liability for the accuracy of information supplied. It is solely the responsibility of the system designer and user to select products suitable for their specific application requirements and to ensure proper installation, operation, and maintenance of these products. Material compatibility, product ratings, and application details should be considered in the selection.



**Connector Male AN Tube  
OD/JIC Male**

PART NUMBER	DESCRIPTION
2UAN4-316	1/8"OD x 7/16-20 JIC MALE 316
4UAN4-316	1/4"OD x 7/16-20 JIC MALE 316
6UAN4-316	3/8"OD x 7/16-20 JIC MALE 316
6UAN6-316	3/8"OD x 9/16-18 JIC MALE 316
8UAN8-316	1/2"OD x 3/4-16 JIC MALE 316
10UAN10-316	5/8"OD x 7/8-14 JIC MALE 316
12UAN12-316	3/4"OD x 1 1/16-12 JIC MALE 316
16UAN16-316	1"OD x 1 5/16-12 JIC MALE 316

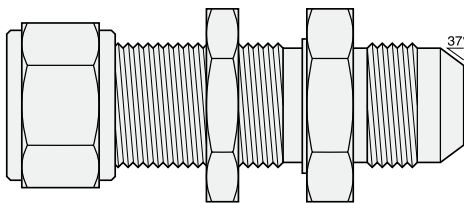
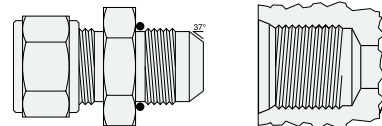
**UAN Application**  
GYROLOK® with 37° flare connections.



**Connector Male AN Tube  
OD/JIC O Ring Male**

PART NUMBER	DESCRIPTION
2UANO4-316	1/8"OD x 7/16-20 JIC O RING MALE 316
4UANO4-316	1/4"OD x 7/16-20 JIC O RING MALE 316
4UANO6-316	1/4"OD x 9/16-18 JIC O RING MALE 316
6UANO6-316	3/8"OD x 9/16-18 JIC O RING MALE 316
8UAN08-316	1/2"OD x 3/4-16 JIC O RING MALE 316

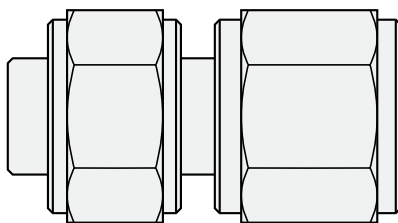
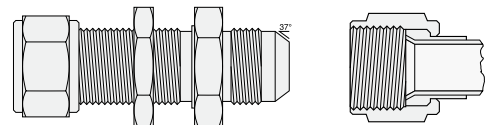
**UANO Application**  
GYROLOK® with gasket sealing.



**Bulkhead Union AN Tube  
OD/JIC Male**

PART NUMBER	DESCRIPTION
2BUAN4-316	1/8"OD x 7/16-20 JIC BULKHEAD MALE 316
4BUAN4-316	1/4"OD x 7/16-20 JIC BULKHEAD MALE 316
6BUAN4-316	3/8"OD x 7/16-20 JIC BULKHEAD MALE 316
6BUAN6-316	3/8"OD x 9/16-18 JIC BULKHEAD MALE 316
8BUAN8-316	1/2"OD x 3/4-16 JIC BULKHEAD MALE 316
10BUAN10-316	5/8"OD x 7/8-14 JIC BULKHEAD MALE 316
12BUAN12-316	3/4"OD x 1 1/16-12 JIC BULKHEAD MALE 316
16BUAN16-316	1"OD x 1 5/16-12 JIC BULKHEAD MALE 316

**BUAN Application**  
GYROLOK® Bulkhead with 37° connections.



**Adaptor AN Tube OD/JIC**

PART NUMBER	DESCRIPTION
2AAN2-316	1/8"OD x 5/16-24 ADAPTER 316
2AAN4-316	1/8"OD x 7/16-20 ADAPTER 316
4AAN4-316	1/4"OD x 7/16-20 ADAPTER 316
6AAN6-316	3/8"OD x 9/16-18 ADAPTER 316
8AAN8-316	1/2"OD x 3/4-16 ADAPTER 316
10AAN10-316	5/8"OD x 7/8-14 ADAPTER 316
12AAN12-316	3/4"OD x 1 1/16-12 ADAPTER 316
16AAN16-316	1"OD x 1 5/16-12 ADAPTER 316

**AAN Application**  
GYROLOK® tube stub with ferrules pre-set with 37° connection.

