

2013





King Instrument Company opened its doors in 1983 with one major goal:
To produce the finest group of rotameters ever sold.

At the time, we occupied a 1,200 square foot space in a multi-tenant building. With two small manual lathes, a cut-off saw, and two drill presses, we began production. The product line consisted of a total of 19 model numbers. In our first year of business, sales were just over \$37,000.

A lot has changed in 30 years. We now run two shifts and utilize the most sophisticated computer controlled machinery. King Instrument Company currently calls its home a 46,000 square foot facility in Garden Grove, California. We now manufacture 95% of the 6,000 meter components used in our products. These include the borosilicate glass metering tubes we call Kinglass. We operate an in-house calibration lab and perform NIST - traceable calibrations conforming to ISA RP 16.6.

We are sensitive to our customer's requirements. In fact, nearly all of our products were designed in response to customer need with our own exceptional quality and distinctive style. The King product line has grown and expanded to satisfy the demands of almost any variable area flowmeter application.

Did we reach our original goal? You be the judge. The next time you're in the market for rotameters consider King Instrument Company. We think you'll agree there is no better time than right now to discover the advantages of the King line.

After all, when it comes to flow . . . we're instrumental.



When it comes to flow...we're instrumental.

12700 Pala Drive • Garden Grove Ca, 92841 • Phone: (714) 891-0008 • Fax: (714) 891-0023

www.kinginstrumentco.com

Table of Contents



- Silver Series Pages 4 - 6**
- Removable Metering Tube
 - FNPT or Flanged Connections; In-line or Horizontal
 - To 85 GPM Water, 288 SCFM Air



Kinglass, Page 7



- 7100 Series Pages 8 - 9**
- Low Flow, 316L Stainless Steel
 - 60mm Scale



- 7200 Series Pages 10 - 11**
- Machined Acrylic Metering Tube
 - 127mm Scale
 - In-Line Connections



- 7310 Series Pages 12 - 13**
- Molded Polysulfone Metering Tube
 - 127mm Scale
 - Stainless Steel Case
 - Stainless Steel, Hastelloy® C-276 or all Polymeric Internals



- 7330 Series Pages 14 - 15**
- Molded Polysulfone Metering Tube
 - 127mm Scale
 - Union Ends
 - Stainless Steel, Hastelloy® C-276 or all Polymeric Internals



- 7430 Series Pages 16 - 19**
- Borosilicate Glass Metering Tube
 - 65 mm and 150mm Scale
 - Metering Valve Optional



- 7450 Series Pages 20 - 21**
- Borosilicate Glass Metering Tube
 - 75mm and 127mm Scale
 - Metering Valve Optional
 - Side Plate Construction



- 7459 Series Pages 22 - 23**
- Borosilicate Glass Metering Tube
 - 250mm Direct Reading Scale
 - Side Plate Construction



- 7460 Series Pages 24 - 25**
- Borosilicate Glass Metering Tube
 - 75 mm (3") Direct Reading Scale
 - 316L Stainless Steel Internals



- 7470 Series Pages 26 - 27**
- Borosilicate Glass Metering Tube
 - 127 mm (5") Direct Reading Scale
 - 316L Stainless Steel Internals



- 7480 Series Pages 28 - 29**
- Borosilicate Glass Metering Tube
 - 250 mm (10") Direct Reading Scale
 - 316L Stainless Steel Internals



- 7510 & 7511 Series Pages 30 - 31**
- Acrylic Metering Tube
 - Block Type, Panel Mountable
 - In-Line Connections
 - 50, 75, 100, 127, 250mm Scales



- 7520 & 7530 Series Pages 32 - 35**
- Acrylic Metering Tube
 - Block Type, Panel Mountable
 - Horizontal Connections
 - Metering Valve Optional
 - 50, 75, 100, 127, 250mm Scales



- 7610 Series Pages 36 - 37**
- 304 Stainless Steel Case
 - 127mm Scale
 - Borosilicate Glass Metering Tube



- 7650 Series Pages 38 - 39**
- Low Cost Acrylic Housing
 - 80mm Scale
 - Borosilicate Glass Metering Tube



- 7710 Series Pages 40 - 41**
- 316L Stainless Steel Construction
 - 120mm Dual Scale
 - NPT or Flange Connections
 - 4-20 mA Output Available



- 7720 Series Pages 42 - 43**
- PVC Metering Tube
 - Hastelloy® C-276 Internals
 - 120mm Scale
 - NPT or Flange Connections
 - 4-20 mA Output Available



- 7750 Series Pages 44 - 45**
- 316L Stainless Steel Construction
 - 120mm Dual Scale
 - 250mm Overall Length
 - 4-20 mA Output Available



- 7910 Series Pages 46 - 48**
- 250 mm Scale
 - 304 Stainless Steel Case



Alarm Options Pages 49 - 50

Warranty & Policies Page 51

35 flow ranges in 6 tube sizes with full horizontal and vertical connection options make these flowmeters the most versatile removable glass tube meters available. The powder-coated 304 stainless steel case and precision molded polycarbonate shield will tolerate most corrosive applications.



DESCRIPTION

Metering Tube

Borosilicate Kinglass

Internal Components

Standard: 316L Stainless Steel
Optional: Hastelloy C-276

Inlet/Outlet Fittings

FNPT or Flange, Vertical or Horizontal

Fitting Material

Standard: 316L Stainless Steel
Optional: PVDF (FNPT Only)

Elastomers

Standard: Viton
Optional: Buna N, EPR, and Kalrez®

Case

Powder-coated 304 Stainless Steel

Cover

Molded Polycarbonate Shield

PERFORMANCE

Capacities

0.23 to 85 GPM - Water
1.15 to 285 SCFM - Air

Scale

Size 3 to 6 — 250 mm (10")
Size 8 to 9 — 200 mm (8")
Direct reading, detachable; dual scales available upon request

Accuracy

± 2% of Full Scale Flow

Turndown

10:1 unless otherwise indicated

Repeatability

0.5%

Max Temperature

316L SS Fittings — 200° F (93° C)
PVDF Fittings — 200° F (93° C)

Max Pressure

316L SS Fittings — 300 psig, size 3 & 4
316L SS Fittings — 250 psig, size 5 & 6
316L SS Fittings — 75 psig, size 8 & 9
PVDF Fittings — 150 psig, size 3&4
PVDF Fittings — 150 psig, size 5&6
PVDF Fittings — 75 psig, size 8&9

Ambient Temperature

33° F to 125° F (1° C to 52° C)

OPTIONS

Alarm

Latching Reed Switch

Valve

External Valve - 316L SS
(Size 3 to Size 6 FNPT only)

Certified Calibrations

Conform to ISA RP 16.6

Scales

Can be produced in any volumetric unit.

SPECIFICATIONS:

Order Number	Full Scale Flow GPM - Water	Order Number	Full Scale Flow SCFM - Air	Float Number	Float Type	Alarm Option	Press. Drop In W.C
31W	0.23	31A	1.15	3-BLG-01	BL	No	4
32W	0.49	32A	2.10	3-BLG02	BL	No	4
33W	.64	33A	2.64	3-HFG-01	HF	Yes	4
34W	.77	34A	3.20	3-LJG-01	LJ	Yes	4
41W	1.1	41A	4.20	4-GVG-01	GV	Yes	6
42W	1.3	42A	5.50	4-GSG-01	GS	Yes	6
43W	1.5	43A	6.20	4-GVG-02	GV	Yes	8
44W	1.8	44A	7.60	4-GSG-02	GS	Yes	9
45W	2.2	45A	9.00	4-GSG-03	GS	Yes	15
46W	2.5	46A	10.2	4-GSG-03	GS	Yes	19
47W	3.4	47A	14.0	4-GSG-04	GS	Yes	27
51W	2.5	51A	10.0	5-GVG-01	GV	Yes	6
52W	3.0	52A	12.0	5-GSG-01	GS	Yes	6
53W	3.5	53A	14.4	5-GSG-02	GS	Yes	10
54W	4.0	54A	16.4	5-GVG-02	GV	Yes	15
55W	5.0	55A	20.0	5-LJG-01	LJ	Yes	41
61W	6.5	61A	26.8	6-GSG-01	GS	Yes	13
62W	7.0	62A	28.8	6-GVG-01	GV	Yes	20
63W	8.2	63A	34.0	6-GSG-02	GS	Yes	27
64W	10.5	64A	44.0	6-GVG-02	GV	Yes	30
65W	13.0	65A	54.0	6-GSG-03	GS	Yes	32
66W	16.0	66A	66.0	6-GVG-03	GV	Yes	48
67W	20.0	67A	82.0	6-HFG-01	HF	Yes	97
81W	15.0	81A	61.0	8-GVG-01	GV	Yes	8
82W	20.0	82A	82.0	8-GVG-02	GV	Yes	13
83W	25.0	83A	103.0	8-GVG-03	GV	Yes	22
84W	28.0	84A	122.0	8-GSG-01	GS	Yes	30
85W	32.0	85A	145.0	8-GSG-02	GS	Yes	24
86W	36.0	86A	155.0	8-HFG-01	HF	Yes	43
91W	41.0	91A	165.0	9-GVG-01	GV	Yes	28
92W	50.0	92A	195.0	9-GVG-02	GV	Yes	44
93W	60.0	93A	245.0	9-GSG-01	GS	Yes	36
94W	70.0	94A	285.0	9-HFG-01	HF	Yes	62
95W	85.0	---	---	9-LJG-01	LJ	Yes	88

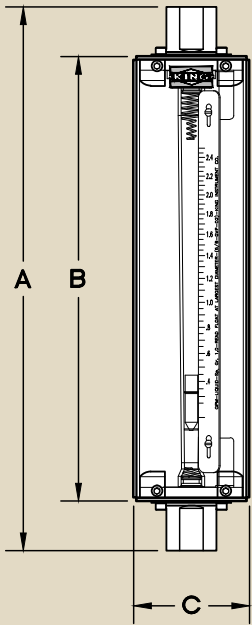
ORDERING:

Use the following guide to determine the specific product number you require.

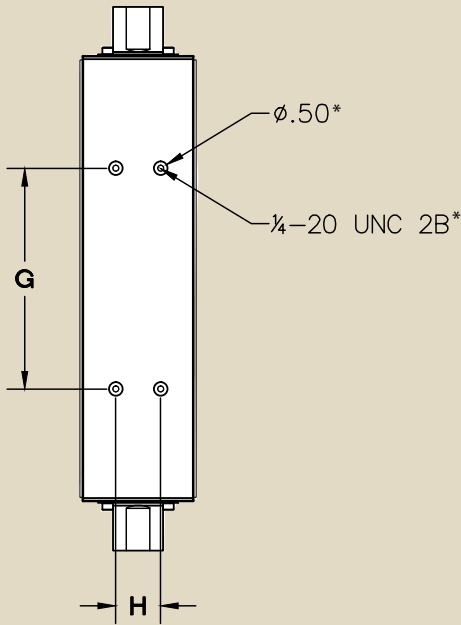
Meter Series	Fitting Type/Material	Float Material	O-ring Material	Order Number	Optional Alarm
9 0 0	Vertical FNPT - 316L SS - 1	316L SS - 2	EPR - 1	See Specification	No Alarm - 0
	Horizontal FNPT - 316L SS - 2	Hastelloy® C-276 - 4	Buna-N - 2	Table Above	With Alarm - 1
	Vertical Flange -316L SS - 150# - 3	Glass - 5 (For 31A &31W only)	Viton® - 3		Dual Alarm - 2
	Horizontal Flange -316L SS- 150# - 4		Kalrez® - 4		See Specification
	Vertical Flange -316L SS - 300# - 5				Table For Availability
	Horizontal Flange -316L SS - 300# - 6				
	Vertical FNPT - PVDF - 7				
	Horizontal FNPT - PVDF - 8				

DIMENSION DIAGRAM

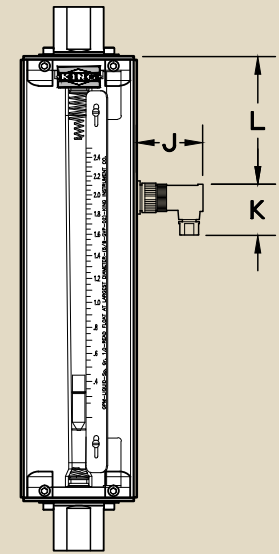
Vertical FNPT - Front View



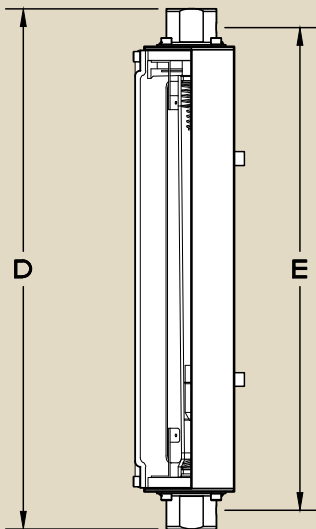
Vertical FNPT - Back View



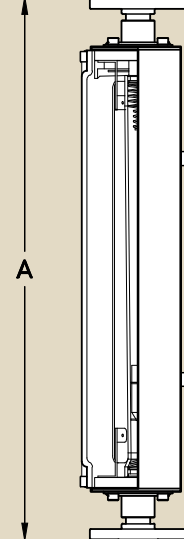
Alarm Connection



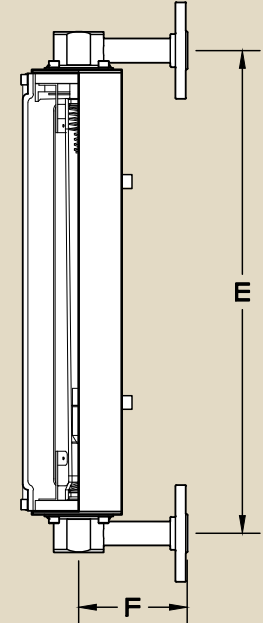
Horizontal FNPT Side View



Vertical Flange Side View



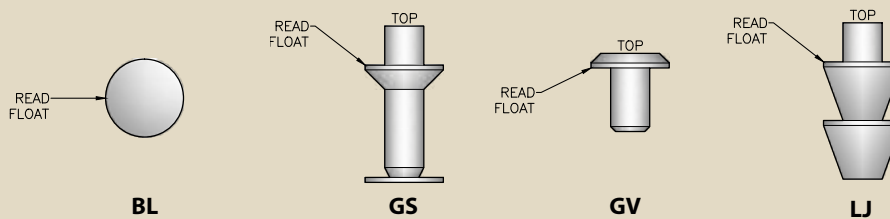
Horizontal Flange Side View



Order Number	Connection Size		Case And Fittings (in inches)						Mounting		Alarm Connection		
	FNPT	Flange	A	B	C	D	E	F	G	H	J	K	L
31W/A - 47W/A	1/2"	1/2"	19.70	16.10	4.13	18.86	17.50	3.94	8.00	1.63	2.50	1.85	4.63
51W/A - 67W/A	3/4"	1"	19.70	16.10	4.13	18.86	17.50	4.72	8.00	1.63	2.50	1.85	4.63
81W/A - 95W	1 1/2"	1 1/2"	19.78	16.30	5.75	23.26	20.50	5.12	*	*	2.50	1.85	4.83

* Mounting studs are not available in size 8 and 9

FLOAT TYPES





King Instrument Company manufactures borosilicate glass metering tubes.
These are used exclusively in all Kinglass models.

Ask us about custom borosilicate glass solutions for your customers.

All 316L stainless steel construction makes this meter suitable for low-flow, high-pressure application.



DESCRIPTION

Metering Tube

316L Stainless Steel

Internal Components

316L Stainless Steel, Hastelloy® C-276

Inlet/Outlet Fittings

1/4" FNPT, Horizontal; Control Valve Optional

Fitting Material

316L Stainless Steel

Connection Type

1/4" FNPT

Elastomers (valve meters only)

Standard: Viton®

Optional: Buna N, EPR, and Kalrez®

Case and Side Cover

Die Cast Aluminum

PERFORMANCE

Capacities

0.60 to 25 GPH – Water 1 to 120 SCFH – Air

2.4 to 95 LPH – Water 28.3 to 3,400 SLPH – Air

Scale

60 mm (2") Direct reading

Accuracy

± 5% of Full Scale Flow

Turndown

10:1 unless otherwise indicated

Repeatability

1 %

Max Temperature

O-ring Material Max Temperature

EPR 300° F (149° C)

Buna N 275° F (135° C)

Viton 350° F (177° C)

Kalrez 400° F (204° C)

No O-ring 400° F (204° C)

Max Pressure

Valve models — 1,500 psig

Non-valve models — 4,000 psig

Ambient Temperature

33° F to 125° F (1° C to 52° C)

OPTIONS

Alarm

Single, Inductive Slot Sensor (see page 50)

Certified Calibrations

Conform to ISA RP 16.6

Scales

Can be produced in any volumetric unit

Rear Mounting Bracket

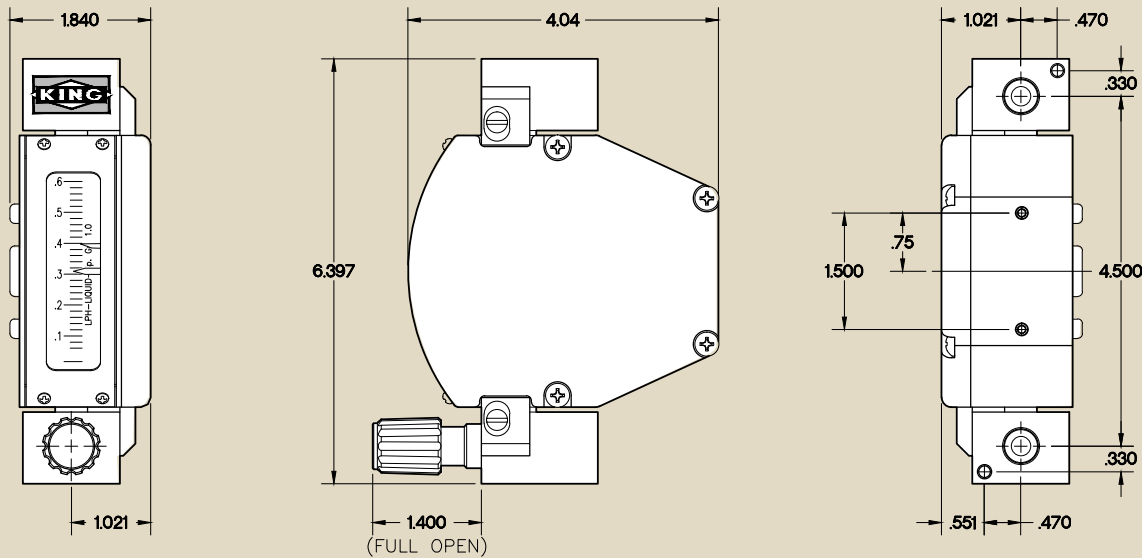
304 Stainless Steel

SPECIFICATIONS:

Order Number	Full Scale Flow Water GPH	Full Scale Flow Water LPH
02W	.6	2.4
04W	1.2	4.5
06W	2.8	10.5
08W	5.5	20
10W	12	45
12W	25	95

Order Number	Full Scale Flow Air SCFH	Full Scale Flow Air SLPH
00A	1.0	28.3
01A	2.5	70
03A	5.5	155
05A	13	360
07A	24	680
09A	55	1550
11A	120	3400

DIMENSIONS (INCHES)



- ① 10 - 32 THREADED PANEL MOUNTING HOLES (2 PLACES)
- ② 10 - 32 THREADED HOLE FOR INSTALLING THE OPTIONAL BACK MOUNTING BRACKET (2 PLACES)



ALARM OPTIONS:

Inductive Slot Sensor

The alarm mechanism in this flowmeter is an inductive slot sensor. It is a 2-wire, DC, low current device. It is designed to be used with a switch isolator/barrier. For more information see page 49.

Note: We can supply switch isolator/barriers upon request. User must provide power supply voltage.

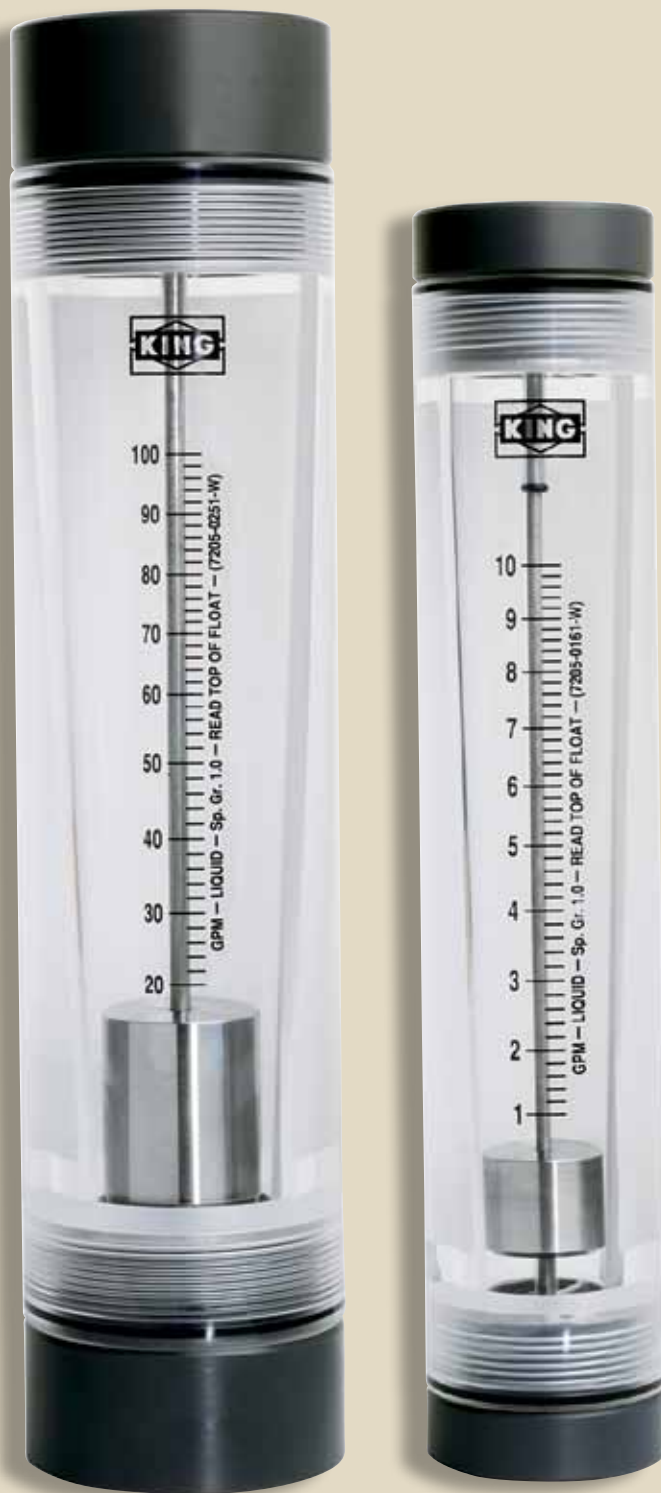
ORDERING:

Use the following guide to determine the specific product number you require.

Meter Series	Material of Construction	O-ring Material	Scale	Valve Options	Optional Alarm	Order Number
7 1 0	316L SS - 1	No O-ring - 0	Millimeter - 1	Inlet 316L SS - 1	No Alarm - 0	See Specification
	HST® C-276 - 2	EPR - 1	GPH Water - 2	Outlet 316L SS - 2	With Alarm - A	Table Above
		Buna-N - 2	LPH Water - 3	No Valve - 3		
		Viton® - 3	SCFH Air@STP - 4	Inlet HST® C-276 - 4		
		Kalrez® - 4	SLPH Air@STP - 5	Outlet HST® C-276 - 5		
			Non standard - 6			

* The No O-ring option is for non-valve meters only

A real value in general purpose rotameters. Vertical connections are from 3/8" NPT to 2" NPT



DESCRIPTION

Metering Tube

Machined Cast Acrylic

Internal Components

316L Stainless Steel

Inlet/Outlet Fittings

NPT, Vertical

Fitting Material

Standard: PVC (not for air service)

Optional: 316 Stainless Steel, Brass, Aluminum

Elastomers

Standard: EPR

Optional: Buna-N, Viton

PERFORMANCE

Capacities

1 to 200 GPM — Water

4 to 245 SCFM — Air

Scale

127 mm (5")

Direct reading

Accuracy

± 3% to ± 6% of Full Scale Flow

See specifications table

Turndown

10:1 unless otherwise indicated

Repeatability

1% to 2%

See specifications table

Max Temperature

Water — 130° F (54° C)

Air — 100° F (38° C)

Max Pressure

Water — 150 psig

Air — 100 psig

Ambient Temperature

33° F to 125° F (1° C to 52° C)

OPTIONS

Certified Calibrations

Conform to ISA RP 16.6

Scales

Can be produced in any volumetric unit

CAUTION:

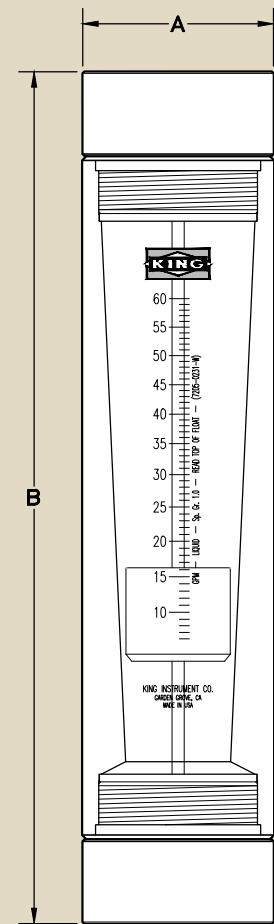
Meters used in gas service are designed to operate at 14.7 psia. Meters used in pressure gas service must be shielded using 3/8" polycarbonate to protect personnel and equipment in the event of tube failure.

SPECIFICATIONS:

Order Number	Flow GPM - Water	Flow SCFM - Air	F.S. Accuracy Repeatability	Press. Drop (In. / W.C.)	Connection Size	Dimensions	
						A	B
0051	1	4	3%/2%	2.9	3/8" FNPT	1.375"	8.25"
0052	1	4	3%/2%	2.9	1/2" FNPT	1.375"	8.25"
0061	2	8	3%/2%	5.2	3/8" FNPT	1.375"	8.25"
0062	2	8	3%/2%	5.2	1/2" FNPT	1.375"	8.25"
0071	3.5	14	3%/2%	9.5	3/8" FNPT	1.375"	8.25"
0072	3.5	14	3%/2%	9.5	1/2" FNPT	1.375"	8.25"
0081	5	20	3%/2%	13.1	3/8" FNPT	1.375"	8.25"
0082	5	20	3%/2%	13.1	1/2" FNPT	1.375"	8.25"
0151	5	20	3%/1%	10	1" FNPT	2.000"	10.25"
0161	10	43	3%/1%	12	1" FNPT	2.000"	10.25"
0171	15	62	3%/1%	18	1" FNPT	2.000"	10.25"
0181	21	86	3%/1%	22	1" FNPT	2.000"	10.25"
0191	30.5	—	3%/1%	26	1" FNPT	2.000"	10.25"
0201	40	—	6%/2%	32	1 1/2" MNPT	2.000"	12.06"
0211	50	—	6%/2%	38	1 1/2" MNPT	2.000"	12.06"
0221	40	165	4%/1%	18	2" FNPT	3.000"	13.25"
0231	60	245	4%/1%	25	2" FNPT	3.000"	13.25"
0241	80	—	4%/1%	30	2" FNPT	3.000"	13.25"
0251	100*	—	4%/1%	35	2" FNPT	3.000"	13.25"
0261	120*	—	6%/2%	45	2" FNPT	3.000"	13.25"
0271	160*	—	6%/2%	60	2" FNPT	3.000"	13.25"
0281	200*	—	6%/2%	80	2" FNPT	3.000"	13.25"

* These meters have less than 10:1 turndown.

DIMENSION DIAGRAM



Order Number	Flow Range	Actual Turndown
0251	20 - 100 GPM	5:1
0261	30 - 120 GPM	4:1
0271	45 - 160 GPM	3.55:1
0281	55 - 200 GPM	3.63:1

Maximum Pressure		Maximum Temp	
Water	Air	Water	Air
150 psig	100 psig	130° F	100° F

ORDERING:

Use the following guide to determine the specific product number you require.

Meter Series	Order Number	Fitting Material	O-ring Material	Fluid to Be Metered
7 2 0 5	See Specification Table Above	Brass - 1 316L SS - 2 PVC* - 3 Aluminum - 6	EPR - 1 Buna-N - 2 Viton® - 3	GPM - Liquid - W SCFM - Air - A

* Not for air service

An economical 304 stainless steel case with a molded Polysulfone metering tube for lighter duty applications where a case enclosed meter is preferred.



DESCRIPTION

Metering Tube

Molded Polysulfone

Internal Components

316L Stainless Steel, Teflon
Polysulfone or Hastelloy® C-276

Inlet/Outlet Fittings

FNPT, Vertical

Fitting Material

Standard: 316L Stainless Steel
Optional: PVC

Elastomers

Standard: Viton®
Optional: Buna N, EPR, and Kalrez®

Case and Covers

304 Stainless Steel Case
Polycarbonate Shield

PERFORMANCE

Capacities

0.5 to 100 GPM — Water (Teflon® float)
1.5 to 160 GPM — Water (Metal float)
6.1 to 330 SCFM — Air

Scale

127 mm (5") Direct Reading, Detachable

Accuracy

± 3% of Full Scale Flow
± 5% of Full Scale Flow (120 & 150 GPM Metal floats)
± 6% of Full Scale Flow (Teflon® floats)

Turndown

10:1 unless otherwise indicated

Repeatability

1/2%
1% (120 & 150 GPM Metal floats)
1% (Teflon® floats)

Max Temperature

316L SS Fittings — 200° F (93° C)
PVC Fittings — 130° F (54° C)

Max Pressure

316L SS Fittings — 200 psig
PVC & PVDF Fittings — 150 psig (sizes 41W to 72W)
PVC & PVDF Fittings — 125 psig (size 90W to 103W)

Ambient Temperature

33° F to 125° F (1° C to 52° C)

OPTIONS

Alarm

Latching Reed Switch (see page 49)

Certified Calibrations

Conform to ISA RP 16.6

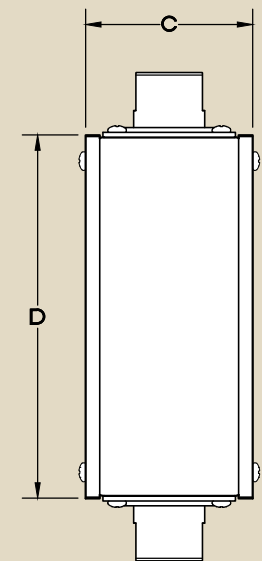
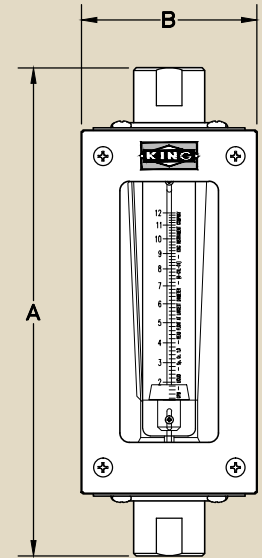
Scales

Can be produced in any volumetric unit

SPECIFICATIONS:

Order Number	Flow Range Water	Float Material	Float Number	Alarm Option	Dimensions (Inches)				Connection Size
					A	B	C	D	
41W	0.5 GPM	PVDF	4-TSL-01	no	12.875	4.625	4.50	9.58	1/2" FNPT
42W	1 GPM	Teflon®	4-TSL-02	yes	12.875	4.625	4.50	9.58	1/2" FNPT
43W	1.5 GPM	316L SS	4-SSL-01	yes	12.875	4.625	4.50	9.58	1/2" FNPT
44W	3 GPM	316L SS	4-SSL-02	yes	12.875	4.625	4.50	9.58	1/2" FNPT
45W	1.6 GPM	Hastelloy®	4-HSL-01	yes	12.875	4.625	4.50	9.58	1/2" FNPT
46W	3.2 GPM	Hastelloy®	4-HSL-02	yes	12.875	4.625	4.50	9.58	1/2" FNPT
51W	2.4 GPM	Teflon®	5-TSL-01	yes	12.875	4.625	4.50	9.58	3/4" FNPT
52W	5 GPM	Teflon®	5-TSL-02	yes	12.875	4.625	4.50	9.58	3/4" FNPT
53W	6 GPM	316L SS	5-SSL-01	yes	12.875	4.625	4.50	9.58	3/4" FNPT
54W	10 GPM	316L SS	5-SSL-02	yes	12.875	4.625	4.50	9.58	3/4" FNPT
55W	6.3 GPM	Hastelloy®	5-HSL-01	yes	12.875	4.625	4.50	9.58	3/4" FNPT
56W	10.6 GPM	Hastelloy®	5-HSL-02	yes	12.875	4.625	4.50	9.58	3/4" FNPT
61W	7.6 GPM	Teflon®	6-TSL-01	yes	12.875	4.625	4.50	9.58	1" FNPT
62W	10 GPM	Teflon®	6-TSL-02	yes	12.875	4.625	4.50	9.58	1" FNPT
63W	15 GPM	Teflon®	6-TSL-03	yes	12.875	4.625	4.50	9.58	1" FNPT
64W	20 GPM	Teflon®	6-TSL-04	yes	12.875	4.625	4.50	9.58	1" FNPT
65W	12 GPM	316L SS	6-SSL-01	yes	12.875	4.625	4.50	9.58	1" FNPT
66W	18 GPM	316L SS	6-SSL-02	yes	12.875	4.625	4.50	9.58	1" FNPT
67W	25 GPM	316L SS	6-SSL-03	yes	12.875	4.625	4.50	9.58	1" FNPT
68W	35 GPM	316L SS	6-SSL-04	yes	12.875	4.625	4.50	9.58	1" FNPT
69W	13 GPM	Hastelloy®	6-HSL-01	yes	12.875	4.625	4.50	9.58	1" FNPT
70W	19 GPM	Hastelloy®	6-HSL-02	yes	12.875	4.625	4.50	9.58	1" FNPT
71W	26.5 GPM	Hastelloy®	6-HSL-03	yes	12.875	4.625	4.50	9.58	1" FNPT
72W	37 GPM	Hastelloy®	6-HSL-04	yes	12.875	4.625	4.50	9.58	1" FNPT
90W	40 GPM	Teflon®	9-TSL-00	yes	16.000	6.250	6.25	13.25	2" FNPT
91W	60 GPM	Teflon®	9-TSL-01	yes	16.000	6.250	6.25	13.25	2" FNPT
92W	80 GPM	Teflon®	9-TSL-02	yes	16.000	6.250	6.25	13.25	2" FNPT
94W	100 GPM	Teflon®	9-TSL-04	yes	16.000	6.250	6.25	13.25	2" FNPT
99W	60 GPM	316L SS	9-SSL-00	yes	16.000	6.250	6.25	13.25	2" FNPT
95W	80 GPM	316L SS	9-SSL-01	yes	16.000	6.250	6.25	13.25	2" FNPT
96W	100 GPM	316L SS	9-SSL-02	yes	16.000	6.250	6.25	13.25	2" FNPT
97W	120 GPM	316L SS	9-SSL-03	yes	16.000	6.250	6.25	13.25	2" FNPT
98W	150 GPM	316L SS	9-SSL-04	yes	16.000	6.250	6.25	13.25	2" FNPT
100W	84 GPM	Hastelloy®	9-HSL-01	yes	16.000	6.250	6.25	13.25	2" FNPT
101W	106 GPM	Hastelloy®	9-HSL-02	yes	16.000	6.250	6.25	13.25	2" FNPT
102W	126 GPM	Hastelloy®	9-HSL-03	yes	16.000	6.250	6.25	13.25	2" FNPT
103W	160 GPM	Hastelloy®	9-HSL-04	yes	16.000	6.250	6.25	13.25	2" FNPT
Order Number	Flow Range Air	Float Material	Float Number	Alarm Option	Dimensions (Inches)				Connection Size
43A	6.1 SCFM	316L SS	4-SSL-01	yes	12.875	4.625	4.50	9.58	1/2" FNPT
44A	12.4 SCFM	316L SS	4-SSL-02	yes	12.875	4.625	4.50	9.58	1/2" FNPT
53A	25 SCFM	316L SS	5-SSL-01	no	12.875	4.625	4.50	9.58	3/4" FNPT
54A	41 SCFM	316L SS	5-SSL-02	yes	12.875	4.625	4.50	9.58	3/4" FNPT
65A	50 SCFM	316L SS	6-SSL-01	yes	12.875	4.625	4.50	9.58	1" FNPT
66A	76 SCFM	316L SS	6-SSL-02	yes	12.875	4.625	4.50	9.58	1" FNPT
67A	100 SCFM	316L SS	6-SSL-03	yes	12.875	4.625	4.50	9.58	1" FNPT
99A	245 SCFM	316L SS	9-SSL-00	yes	16.000	6.250	6.25	13.25	2" FNPT
95A	330 SCFM	316L SS	9-SSL-01	yes	16.000	6.250	6.25	13.25	2" FNPT

DIMENSION DIAGRAM



ORDERING:

Use the following guide to determine the specific product number you require.

Meter Series	Fitting Material	Float Material	O-ring Material	Optional Alarm	Order Number
316L SS - 2	316L SS - 2	316L SS - 2	EPR - 1	No Alarm - 0	See Specification
PVC* - 3	Hastelloy® C-276 - 4	Hastelloy® C-276 - 4	Buna-N - 2	With Alarm - A	Table Above
PVDF* - 7	Teflon® - 6	Teflon® - 6	Viton® - 3		
	PVDF - 7	PVDF - 7	Kalrez® - 4		

* Not for air service

Union ends simplify installation and maintenance. With the Teflon® float option these meters are excellent for applications where no metal is preferred. Socket weld end connections available



DESCRIPTION

Metering Tube

Molded Polysulfone

Internal Components

316L Stainless Steel, Teflon®
Polysulfone or Hastelloy® C-276

Inlet/Outlet Fittings

FNPT, Vertical

Fitting Material

Standard: PVC
Optional: PVDF

Elastomers

Standard: Viton®
Optional: Buna N, EPR, and Kalrez®

PERFORMANCE

Capacities

0.5 to 100 GPM — Water (Teflon® float)
1.5 to 160 GPM — Water (Metal float)

Scale

127 mm (5") Direct reading, detachable

Accuracy

± 3% of Full Scale Flow
± 5% of Full Scale Flow (120 & 150 GPM Metal floats)
± 6% of Full Scale Flow (Teflon® floats)

Turndown

10:1 unless otherwise indicated

Repeatability

1/2%
1% (120 & 150 GPM Metal floats)
1% (Teflon floats)

Max Temperature

PVC Fittings — 130° F (54° C)
PVDF Fittings — 200° F (93° C)

Max Pressure

PVC Fittings — 150 psig (sizes 41W - 72W)
PVC Fittings — 125 psig (size 90W - 103W)
PVDF Fittings — 150 psig (sizes 41W - 72W)
PVDF Fittings — 125 psig (size 90W - 103W)

Ambient Temperature

33° F to 125° F (1° C to 52° C)

OPTIONS

Alarm

Latching Reed Switch (see page 49)

Certified Calibrations

Conform to ISA RP 16.6

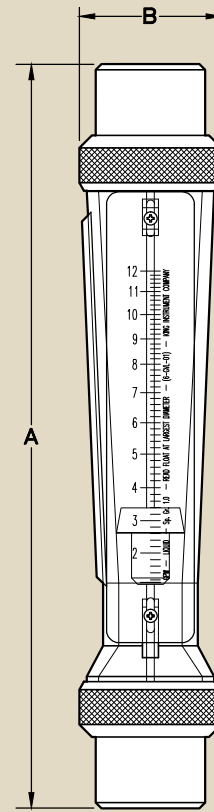
Scales

Can be produced in any volumetric unit

SPECIFICATIONS:

Order Number	Flow Range Water	Float Material	Float Number	Alarm Option
41W	.5 GPM	PVDF	4-TSL-01	no
42W	1 GPM	Teflon®	4-TSL-02	yes
43W	1.5 GPM	316L SS	4-SSL-01	yes
44W	3 GPM	316L SS	4-SSL-02	yes
45W	1.6 GPM	Hastelloy®	4-HSL-01	yes
46W	3.2 GPM	Hastelloy®	4-HSL-02	yes
51W	2.4 GPM	Teflon®	5-TSL-01	yes
52W	5 GPM	Teflon®	5-TSL-02	yes
53W	6 GPM	316L SS	5-SSL-01	yes
54W	10 GPM	316L SS	5-SSL-02	yes
55W	6.3 GPM	Hastelloy®	5-HSL-01	yes
56W	10.6 GPM	Hastelloy®	5-HSL-02	yes
61W	7.6 GPM	Teflon®	6-TSL-01	yes
62W	10 GPM	Teflon®	6-TSL-02	yes
63W	15 GPM	Teflon®	6-TSL-03	yes
64W	20 GPM	Teflon®	6-TSL-04	yes
65W	12 GPM	316L SS	6-GVL-01	yes
66W	18 GPM	316L SS	6-SSL-02	yes
67W	25 GPM	316L SS	6-SSL-03	yes
68W	35 GPM	316L SS	6-SSL-04	yes
69W	13 GPM	Hastelloy®	6-HSL-01	yes
70W	19 GPM	Hastelloy®	6-HSL-02	yes
71W	26.5 GPM	Hastelloy®	6-HSL-03	yes
72W	37 GPM	Hastelloy®	6-HSL-04	yes
90W	40 GPM	Teflon®	9-TSL-00	yes
91W	60 GPM	Teflon®	9-TSL-01	yes
92W	80 GPM	Teflon®	9-TSL-02	yes
94W	100 GPM	Teflon®	9-TSL-04	yes
99W	60 GPM	316L SS	9-SSL-00	yes
95W	80 GPM	316L SS	9-SSL-01	yes
96W	100 GPM	316L SS	9-SSL-02	yes
97W	120 GPM	316L SS	9-SSL-03	yes
98W	150 GPM	316L SS	9-SSL-04	yes
100W	84 GPM	Hastelloy®	9-HSL-01	yes
101W	106 GPM	Hastelloy®	9-HSL-02	yes
102W	126 GPM	Hastelloy®	9-HSL-03	yes
103W	160 GPM	Hastelloy®	9-HSL-04	yes

DIMENSION DIAGRAM



Order Number	Dimensions (Inches)		Connection Size
	A	B	
41W - 46W	10.00	1.375	1/2" FNPT
51W - 56W	10.00	1.750	3/4" FNPT
61W - 72W	11.75	2.250	1" FNPT
90W - 103W	16.00	3.785	2" FNPT

CAUTION: Polysulfone should not be used in direct sunlight or any other significant sources of UV light.

ORDERING:

Use the following guide to determine the specific product number you require.

Meter Series	Fitting Material	Float Material	O-ring Material	Optional Alarm	Order Number
7	PVC* - 3	316L SS - 2	EPR - 1	No Alarm - 0	See Specification
3	PVDF* - 7	Hastelloy® C-276 - 4	Buna-N - 2	With Alarm - A	Table Above
3		Teflon® - 6	Viton® - 3		
1		PVDF - 7	Kalrez® - 4		

* Not for air service

Both 65 mm and 150 mm scales, borosilicate glass tube models feature all stainless steel frame and horizontal connections at a less expensive price than competitive products. Valve optional.



DESCRIPTION

Metering Tube

Borosilicate Kinglass

Internal Components

316L Stainless Steel, Black Glass, Sapphire, Carboloy, Tantalum

Inlet/Outlet Fittings

1/8" and 1/4" FNPT, Horizontal Control Valve optional

Fitting Material

316L Stainless Steel
Optional: PVC, PVDF, Hastelloy®

Elastomers

Standard: Viton®
Optional: Buna N, EPR, Kalrez®

PERFORMANCE

Capacities

0.56 to 1,800 cc/min — Water
54 to 70,000 cc/min — Air

Scale

65 mm, 150 mm
Direct reading, detachable

Accuracy

± 6% of Full Scale Flow, 65 mm
± 4% of Full Scale Flow, 150 mm

Turndown

10:1 unless otherwise indicated

Repeatability

1%

Max Temperature

250° F (121° C) Gases
200° F (93° C) Liquids

Max Pressure

316L SS Fittings — 200 psig
PVC Fittings — 130 psig
PVDF Fittings — 150 psig

Ambient Temperature

33° F to 125° F (1° C to 52° C)

OPTIONS

Alarm

Fiber-Optic or Inductive Ring Sensor
(see page 19)

Certified Calibrations

Conform to ISA RP 16.6

Scales

Can be produced in any volumetric unit

SPECIFICATIONS:

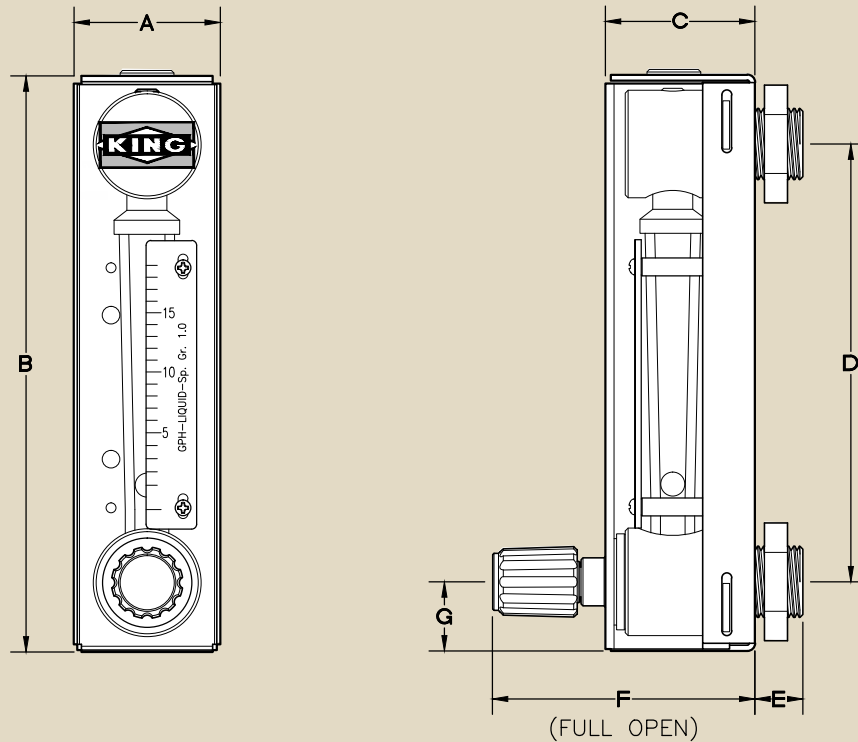
Tube Number	Float Material	65MM Scale Flow Ranges					
		Air (STP)			Water (70° F)		
		CC/MIN	SCFH	SLPH	CC/MIN	GPH	LPH
1-02-G-021	Glass	66	.14	4.0	0.72	.011	.042
	Sapphire	105	.22	6.2	1.3	.021	.078
	Stainless Steel	200	.42	12.0	3.3	.052	.190
	Carboloy	340	.70	20.0	7.0	.110	.420
	Tantalum	350	.74	21.0	7.8	.125	.460
1-03-G-041	Glass	76	.16	4.6	1.15	.018	.068
	Sapphire	120	.25	7.2	2.10	.032	.125
	Stainless Steel	230	.50	14.0	4.20	.068	.260
	Carboloy	400	.85	24.0	9.00	.145	.560
	Tantalum	440	.90	26.0	10.00	.165	.620
1-08-G-061	Glass	525	1.1	31	9.0	.14	.54
	Sapphire	700	1.5	42	15.5	.24	.95
	Stainless Steel	1130	2.4	68	29.0	.46	1.70
	Carboloy	1600	3.4	95	46.0	.72	2.80
	Tantalum	1700	3.6	100	50.0	.78	3.00
1-23-G-081	Glass	2000	4.2	120	44	.70	2.6
	Sapphire	2600	5.4	150	68	1.05	4.0
	Stainless Steel	3800	8.2	230	110	1.70	6.6
	Carboloy	5600	12.0	340	170	2.70	10.5
	Tantalum	6000	13.0	360	180	2.90	11.0
2-14-G-021	Glass	6800	14.5	400	160	2.6	9.5
	Sapphire	9200	19.5	540	240	3.8	14.5
	Stainless Steel	13000	28.0	800	400	6.2	24.0
	Carboloy	19000	40.0	1100	600	9.5	36.0
	Tantalum	20000	42.0	1200	640	10.0	38.0
2-34-G-041	Glass	19000	40.0	1150	520	8.25	31.0
	Sapphire	25000	52.0	1500	740	11.50	44.0
	Stainless Steel	42500	90.0	2550	1200	19.00	72.0
	Carboloy	60000	125.0	3600	1700	27.00	105.0
	Tantalum	70000	145.0	4200	1800	29.00	110.0

Tube Number	Float Material	150 MM Scale Flow Ranges					
		Air (STP)			Water (70° F)		
		CC/MIN	SCFH	SLPH	CC/MIN	GPH	LPH
1-03-G-022	Glass	54	.114	3.2	.56	.0088	.033
	Sapphire	82	.175	4.9	1.04	.0160	.062
	Stainless Steel	160	.340	9.8	2.25	.0350	.135
	Carboloy	280	.580	16.5	5.00	.0780	.300
	Tantalum	300	.620	17.5	5.20	.0840	.320
1-04-G-042	Glass	106	.225	6.4	1.24	.0195	.074
	Sapphire	165	.35	10.0	2.35	.0380	.145
	Stainless Steel	320	.68	19.0	5.60	.0900	.340
	Carboloy	540	1.14	32.0	12.4	.1950	.740
	Tantalum	580	1.24	35.0	13.5	.2100	.820
1-07-G-062	Glass	350	.74	21.0	4.7	.074	.28
	Sapphire	500	1.06	30.0	10.0	.160	.60
	Stainless Steel	820	1.75	50.0	20.5	.330	1.25
	Carboloy	1250	2.60	76.0	34.0	.540	2.05
	Tantalum	1350	2.90	80.0	36.0	.560	2.15
1-11-G-082	Glass	850	1.8	50.0	16.5	.26	1.0
	Sapphire	1100	2.3	66.0	27.0	.42	1.6
	Stainless Steel	1600	3.4	100.0	46.0	.72	2.7
	Carboloy	2300	4.9	140.0	72.0	1.15	4.4
	Tantalum	2450	5.2	155.0	80.0	1.25	4.8
1-27-G-102	Glass	2150	4.6	130.0	52	.84	3.1
	Sapphire	2800	6.0	170.0	78	1.24	4.7
	Stainless Steel	4400	9.2	260.0	130	2.05	7.8
	Carboloy	6200	13.5	380.0	205	3.20	12.5
	Tantalum	6750	14.0	400.0	210	3.30	12.5
2-09-G-002	Glass	3800	8.2	230.0	86	1.35	5.2
	Sapphire	5000	10.6	300.0	130	2.05	7.8
	Stainless Steel	7500	16.0	450.0	220	3.40	13.0
	Carboloy	10600	22.5	640.0	330	5.20	20.0
	Tantalum	11500	24.0	680.0	360	5.60	21.5
2-17-G-022	Glass	9000	19.0	540.0	215	3.40	13.0
	Sapphire	11400	24.5	700.0	320	5.00	19.0
	Stainless Steel	17000	36.0	1000.0	520	8.20	31.0
	Carboloy	24000	50.0	1450.0	760	12.2	46.0
	Tantalum	25000	54.0	1500.0	820	13.0	49.0
2-32-G-042	Glass	20500	43.0	1220.0	470	7.5	28.0
	Sapphire	26000	56.0	1550.0	700	11.0	42.0
	Stainless Steel	38000	82.0	2300.0	1120	18.0	68.0
	Carboloy	54000	116.0	3300.0	1650	26.0	100.0
	Tantalum	60000	125.0	3500.0	1750	28.0	106.0

DIMENSIONS

Detail Letter	Scale length	
	65mm	150mm
A	1.50	1.50
B	6.05	10.25
C	1.56	1.56
D	4.53	8.826
E	0.50	.050
F	2.90	2.90
G	0.73	0.73

DIMENSION DIAGRAM



ORDERING:

Use the following guide to determine the specific product number you require.

Meter Series	Tube Number	Float Material	Fitting Material	O-ring Material	Scale	Valve Option	Optional Alarm Switch
7 4 C	See Specifications Table	Glass - 1 Sapphire - 2 316 SS - 3 Carboloy - 4 Tantalum - 5	316L SS - 1/8" FNPT - 1 316L SS - 1/4" FNPT - 2 PVC - 1/4" FNPT - 3 PVC - 1/8" FNPT - 4 PVDF - 1/4" FNPT - 5 PVDF - 1/8" FNPT - 6 Hastelloy® C - 1/4" FNPT - 7 Hastelloy® C - 1/8" FNPT - 8	EPR - 1 Buna-N - 2 Viton® - 3 Kalrez® No Valve - 4 Kalrez® Valve - 5	Millimeter - 1 GPH Water@70°F - 2 LPH Water@70°F - 3 CC/MIN Water@STP - 4 SCFH Air@STP - 5 SLPH Air@STP - 6 SCC/MIN Air@STP - 7 Non standard - 8	316L SS - Inlet - 1 316L SS - Outlet - 2 No Valve - 3 PVC - Inlet - 4 PVC - Outlet - 5 PVDF - Inlet - 6 PVDF - Outlet - 7 Hastelloy® C - Inlet - 8 Hastelloy® C - Outlet - 9	Without Alarm - 0 Fiber-Optic NPN (Proximity) - 1 Fiber-Optic PNP (Proximity) - 2 Inductive Ring Sensor (Proximity) - 3 Inductive Ring Sensor (Latching) - 4



Inductive Ring Sensor

ALARM OPTIONS: 7430

Inductive Ring Sensor

7400 Series flowmeters with metallic floats can be ordered with an inductive ring sensor that is able to detect a predetermined rate of flow.

Inductive ring sensors are 2-wire, DC, low current devices and are designed to be used with a remote intrinsic safety barrier /switch isolator. Sensors are available as either proximity or latching devices. The sensor threaded on the screw can be positioned to trigger at any point on the scale. It is able to detect the metal float (see table below) by producing and electromagnetic field that senses the float within its sensing zone.

The inductive sensor connects to a barrier/switch isolator which powers the sensor and provides the desired switching option. Barrier/switch isolators are available with 220VAC, 110VAC or 24VDC supply voltage requirements, contain single pole double throw (SPDT) relays, and are DIN rail mountable. See barrier/switch isolator specifications for electrical connections and further details.

Note: We can supply switch isolator/barriers upon request. User power supply voltage must be provided.

Electrical Specifications:

Type: Inductive Proximity or Latching

Supply Voltage: 5-25V DC (Switch Isolator)

Output: NAMUR

Output Load Current:

<=1 mA – Float Present

>= 3 mA (15 mA max) – Float Absent

Switching Frequency: 2 kHz

Housing Rating: IP67

Wiring: PVC Covered, 2 Conductor, 26 AWG, 6.5 Feet Long, Brown (+), Blue (-)

Pepperl & Fuchs Ring Sensor

Approvals:

UL: General Purpose

FM: Intrinsically Safe

CSA: Intrinsically Safe

CENELEC: Intrinsically Safe

Electrical Connections: See barrier/switch isolator specifications for details.

Fiber Optic Sensor

The fiber optic alarm sensor is an available option for all 7400 Series flowmeters. The sensor is used to detect a predetermined rate of flow. The sensor can interface directly to a Programmable Logic Controller (PLC) or when connected to a separate relay can trigger a local or remote alarm.

The fiber optic sensor is mounted in a junction box attached to the side of the flowmeter. The sensor uses a pair of plastic transparent cables, an emitter and receiver, to transmit the light generated by the sensor. Each cable is terminated in the housing shown below. The housing is threaded on a screw and can be positioned at any point on the scale.

Electrical Specifications:

Supply Voltage: 10-30 VDC

Supply Current: 25 mA

Output: NPN Sinking, N.O. & N.C.
PNP Sourcing, N.O. & N.C.

Output Rating: 150 mA Max Total Load

Output Response Time: 1ms

Off State Leakage Current:

1 MICOAMP @ 30 VDC

Output Saturation Voltage:

< 1 V at 10 mA DC

< 1.5 V at 150 mA DC

Repeatability: 0.25 ms

Housing Rating: IP67; NEMA 6

Operating Temperature: -5° to +131° F

Part Number	Type	Float Size	Float Material
SE7410	Proximity	1/8"	SS, CB
SE7415	Proximity	1/4"	SS, CB
SE7410B	Latching	1/8"	SS, CB
SE7415B	Latching	1/4"	SS, CB

Side plate style meters with 75 mm or 150 mm borosilicate glass tube and 316L stainless steel or brass connections. Valves optional. Also available with PVC ends and Hastelloy® C-276 construction for greater chemical resistance



DESCRIPTION

Metering Tube

Borosilicate Kinglass

Internal Components

316L Stainless Steel

Inlet/Outlet Fittings

FNPT, Horizontal
Control Valve optional

Fitting Material

Brass or 316L Stainless Steel

Elastomers

Standard: Viton
Optional: Buna N, EPR, and Kalrez

PERFORMANCE

Capacities

0.48 to 7.4 GPM — Water

2 to 20 SCFM — Air

Scale

75 mm (3"), 150 mm (6")

Direct reading, detachable

Accuracy

± 5% of Full Scale Flow, 75 mm

± 3% of Full Scale Flow, 150 mm

Turndown

10:1 unless otherwise indicated

Repeatability

1%

Max Temperature

200° F (93° C)

Max Pressure

200 psig

Ambient Temperature

33° F to 125° F (1° C to 52° C)

OPTIONS

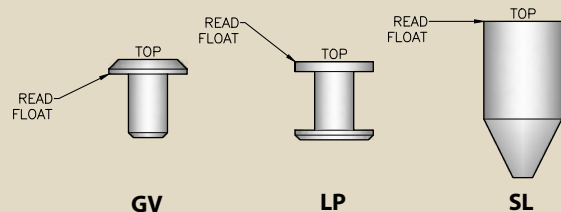
Certified Calibrations

Conform to ISA RP 16.6

Scales

Can be produced in any volumetric unit

Float Types



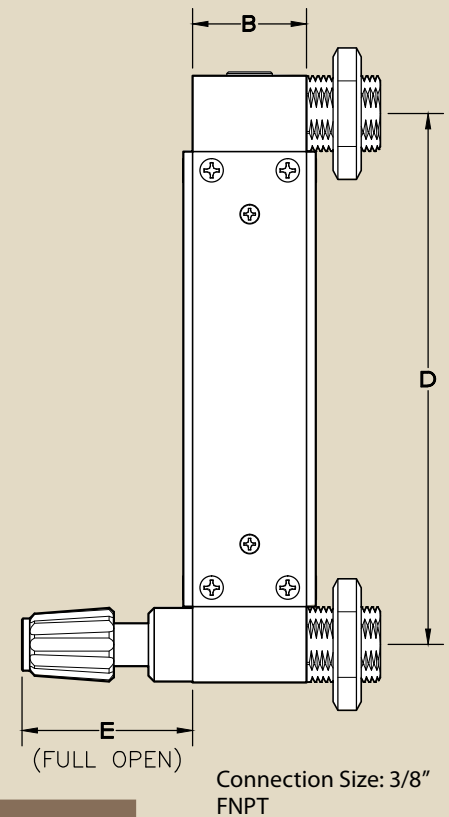
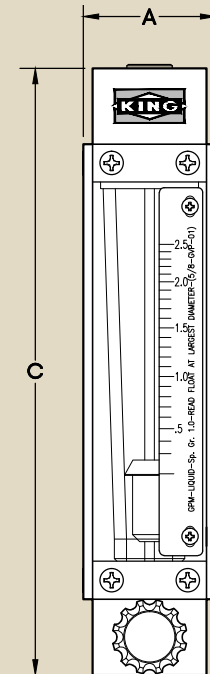
SPECIFICATIONS:

75mm (3") Scale Models								
Order Number	Full Scale Flow				Float Number	Float Type	Tube Size	Tube Number
	Water		Air					
	GPM	LPM	SCFM	SLPM				
3G1	.48	1.8	2.0	56	1/2-LPG-04	LP	.50"	1/2-24-G-3
3G2	1.0	3.8	4.0	112	1/2-LPG-05	LP	.50"	1/2-24-G-3
3G3	2.0	7.6	8.2	230	1/2-SLG-01	SL	.50"	1/2-24-G-3
3P1	2.5	9.4	10.0	280	5/8-GVP-01	GV	.625"	5/8-29-P-3
3P2	4.0	15.0	20.0	560	5/8-SLP-01	SL	.625"	5/8-29-P-3
3P3	5.6	21.0	—	—	5/8-SLP-02	SL	.625"	5/8-29-P-3
3P4	7.4	28.0	—	—	5/8-SLP-03	SL	.625"	5/8-29-P-3

150mm (6") Scale Models								
Order Number	Full Scale Flow				Float Number	Float Type	Tube Size	Tube Number
	Water		Air					
	GPM	LPM	SCFM	SLPM				
6G1	0.5	1.9	2.0	57	1/2-LPG-04	LP	.50"	1/2-24-G-6
6G2	1.0	3.8	4.2	118	1/2-LPG-05	LP	.50"	1/2-24-G-6
6G3	2.0	7.6	8.2	230	1/2-SLG-01	SL	.50"	1/2-24-G-6
6P1	2.5	9.4	10.0	280	5/8-GVP-02	GV	.625"	5/8-32-P-6
6P2	4.0	15.0	20.0	560	5/8-SLP-04	SL	.625"	5/8-32-P-6
6P3	5.6	21.0	—	—	5/8-SLP-05	SL	.625"	5/8-32-P-6
6P4	7.4	28.0	—	—	5/8-SLP-06	SL	.625"	5/8-32-P-6

Scale Models	Dimensions (Inches)				
	A	B	C	D	E
75mm (3")	1.75	1.50	8.00	7.00	2.25
150mm (6")	1.75	1.50	11.56	10.56	2.25

DIMENSION DIAGRAM



ORDERING:

Use the following guide to determine the specific product number you require.

Meter Series	Order Number	Fitting Material	O-ring Material	Scale	Valve Option
7	4	5			
See Specifications Table	Brass - 1 316L SS - 2	EPR - 1 Buna-N - 2 Viton® - 3	Millimeter - 1 GPM Water@70°F - 2 LPM Water@70°F - 3 SCFM Air@STP - 4 SLPM Air@STP - 5 Non standard - 6	Brass - Inlet - 1 Brass - Outlet - 2 No Valve - 3 316L SS - Inlet - 4 316L SS - Outlet - 5	

Expanding the line of side plate construction rotameters, King introduces its 7459 Series. These models feature a 250 mm scale borosilicate glass tube with Aluminum side plates and a polycarbonate shield. Connections are vertical FNPT, 316L Stainless Steel.



DESCRIPTION

Metering Tube

Borosilicate Kinglass

Internal Components

Standard: 316L Stainless Steel

Inlet/Outlet Fittings

NPT, Vertical Connection:

Sizes 3 & 4: 1/2" FNPT

Size 5: 3/4" FNPT

Size 6: 1" FNPT

Size 8 & 9: 1 1/2" FNPT

Fitting Material

Standard: 316L Stainless Steel

Elastomers

Standard: Viton®

Optional: Buna N, EPR

and Kalrez®

PERFORMANCE

Capacities

0.22 to 100 GPM — Water

0.9 to 350 SCFM — Air

Scale

250 mm (10")

Direct reading, detachable

Accuracy

± 2% of Full Scale Flow

Turndown

10:1 unless otherwise indicated

Repeatability

0.5 %

Max Temperature

200° F (93° C) Liquid

250° F (121° C) Gases

Max Pressure

Sizes 3 & 4: 350 psig

Size 5: 175 psig

Size 6, 8 & 9: 125 psig

Ambient Temperature

33° F to 125° F (1° C to 52° C)

OPTIONS

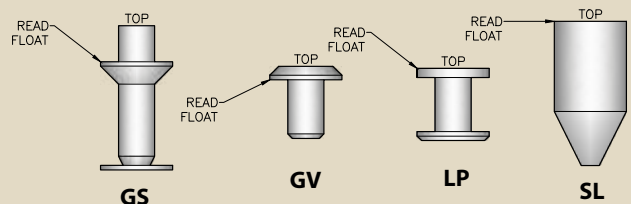
Certified Calibrations

Conform to ISA RP 16.6

Scales

Can be produced in any volumetric unit

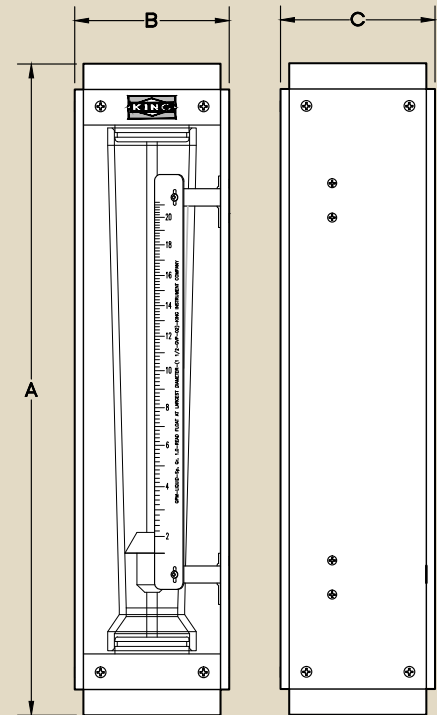
Float Types



SPECIFICATIONS:

Order No.	Full Scale Flow GPM - Water	Order Number	Full Scale Flow SCFM - Air	Float Number	Float Type	Press Drop In W.C.	Tube Size	Tube No.
31W	0.220	31A	.9	3/8-LPG-01	LP	—	3/8-20-G-10	3G
32W	0.315	32A	1.4	3/8-SLG-01	SL	2	3/8-20-G-10	3G
33W	0.640	33A	2.7	3/8-SLG-02	SL	7	3/8-20-G-10	3G
41W	0.77	41A	3.4	1/2-LPG-01	LP	6	1/2-32-G-10	4G
42W	1.02	42A	4.4	1/2-LPG-02	LP	10	1/2-32-G-10	4G
43W	1.20	43A	5.0	1/2-GVG-01	GV	0	1/2-32-G-10	4G
44W	1.44	44A	6.1	1/2-GSG-01	GS	15	1/2-32-G-10	4G
45W	1.92	45A	8.5	1/2-SLG-01	SL	28	1/2-32-G-10	4G
46W	2.26	46A	10.2	1/2-SLG-02	SL	41	1/2-32-G-10	4G
51W	1.1	51A	4.5	3/4-LPG-01	LP	1	3/4-28-G-10	5G
52W	2.4	52A	10.0	3/4-GVG-01	GV	4	3/4-28-G-10	5G
53W	3.0	53A	12.0	3/4-GSG-01	GS	5	3/4-28-G-10	5G
54W	3.3	54A	13.2	3/4-GVG-02	GV	6	3/4-28-G-10	5G
55W	4.0	55A	16.4	3/4-GSG-02	GS	6	3/4-28-G-10	5G
56W	5.2	56A	22.0	3/4-SLG-01	SL	18	3/4-28-G-10	5G
61W	6.9	—	—	1-LPG-02	LP	4	1-32-G-10	6G
62W	9.8	—	—	1-SLG-01	SL	8	1-32-G-10	6G
63W	12.6	—	—	1-SLG-02	SL	13	1-32-G-10	6G
64W	6.7	64A	27.0	1-LPP-01	LP	4	1-40-P-10	6P
65W	7.4	65A	30.0	1-GVP-01	GV	6	1-40-P-10	6P
66W	8.5	66A	35.0	1-GVP-02	GV	8	1-40-P-10	6P
67W	10.4	67A	42.5	1-GSP-01	GS	10	1-40-P-10	6P
68W	11.6	68A	46.5	1-GVP-03	GV	15	1-40-P-10	6P
69W	12.0	69A	50.0	1-GSP-02	GS	14	1-40-P-10	6P
610W	15.6	610A	63.0	1-GSP-03	GS	24	1-40-P10	6P
611W	21.6	611A	100.0	1-SLP-01	SL	61	1-40-P10	6P
612W	27.5	—	—	1-SLP-02	SL	85	1-40-P10	6P
613W	34.5	—	—	1-SLP-03	SL	110	1-40-P10	6P
84W	17.0	84A	70.0	11/2-GVP-01	GV	10	8P - 11/2-32-P-10	8P
85W	21.2	85A	87.0	11/2-GVP-02	GV	13	8P - 11/2-32-P-10	8P
86W	22.2	—	—	11/2-GSP-01	GS	14	8P - 11/2-32-P-10	8P
87W	24.8	87A	102.0	11/2-GVP-03	GV	18	8P - 11/2-32-P-10	8P
88W	28.5	—	—	11/2-GSP-02	GS	20	8P - 11/2-32-P-10	8P
89W	35.0	—	—	11/2-GSP-03	GS	24	8P - 11/2-32-P-10	8P
94W	41.5	94A	170.0	2-GVP-01	GV	20	9P - 2-30-P-10	9P
95W	58.0	95A	240.0	2-GSP-01	GS	25	9P - 2-30-P-10	9P
96W	65.0	96A	270.0	2-GSP-02	GS	30	9P - 2-30-P-10	9P
97W	85.0	97A	350.0	2-SLP-00	SL	40	9P - 2-30-P-10	9P
98W	100.0	—	—	2-SLP-01	SL	50	9P - 2-30-P-10	9P

DIMENSION DIAGRAM



Order Number	Dimension (Inches)			Connection Size (FNPT)
	A	B	C	
31W - 46W	17	2.5	2.375	1/2"
51W - 56W	17	2.5	2.375	3/4"
61W - 613W	17	2.5	2.375	1"
84W - 98W	19	4.5	4.500	1 1/2"

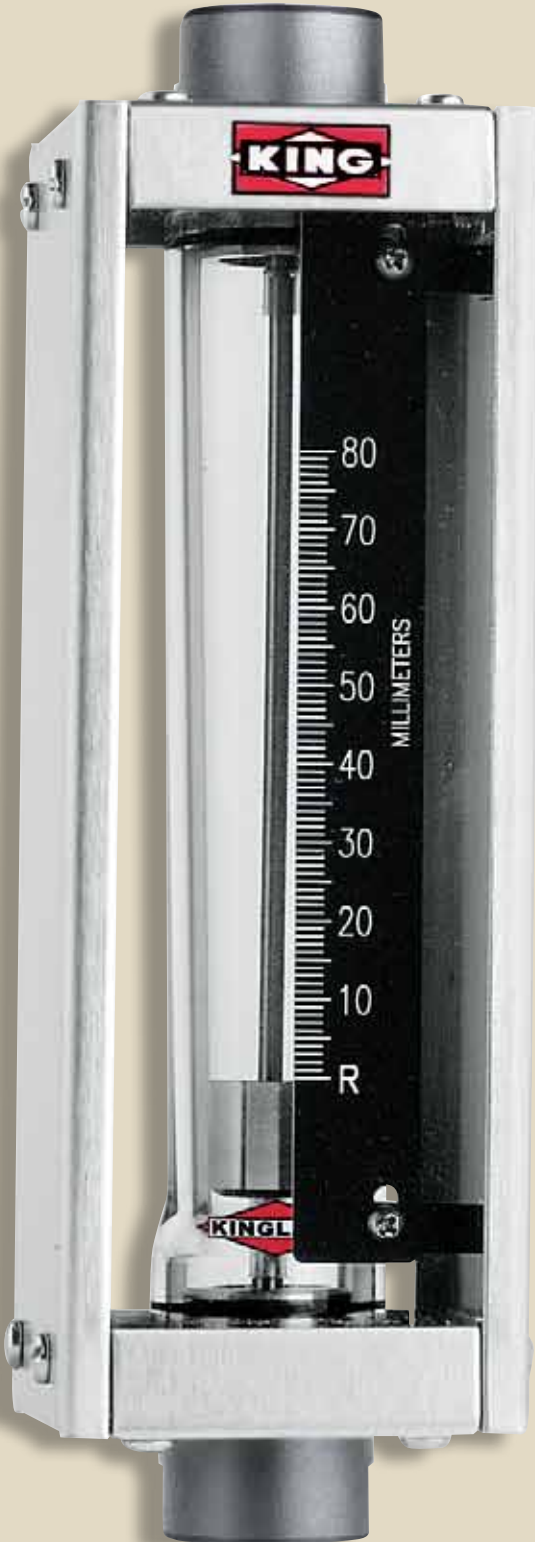
ORDERING:

Use the following guide to determine the specific product number you require.

Meter Series	Order Number	Fitting Material	O-ring Material	Scale
7 4 5	See Specifications Table	316L SS - 2	EPR - 1 Buna-N - 2 Viton® - 3 Kalrez® - 4	Millimeter - 1 GPM Water@70°F - 2 LPM Water@70°F - 3 SCFM Air@STP - 4 SLPM Air@STP - 5 Non standard - 6

* Only use this box with order numbers 610W thru 613W. Otherwise leave blank.

There is nothing else like it in the industry. This 75 mm scale glass tube meter offers economical 304 stainless steel case construction with vertical connections.



DESCRIPTION

Metering Tube

Borosilicate Kinglass

Internal Components

Standard: 316L Stainless Steel

Optional: Hastelloy® C-276

Inlet/Outlet Fittings

FNPT Vertical

Fitting Material

Standard: 316L Stainless Steel

Optional: PVC

Elastomers

Standard: Viton®

Optional: Buna N, EPR, and Kalrez®

Case and Covers

304 Stainless Steel Case

Polycarbonate Shield

PERFORMANCE

Capacities

0.5 to 25 GPM — Water

2 to 14 SCFM — Air

Scale

80 mm (3")

Direct reading, detachable

Accuracy

± 5% of Full Scale Flow

Turndown

10:1 unless otherwise indicated

Repeatability

1%

Max Temperature 316L Stainless Steel Only

250° F (121° C) - Gases

200° F (93° C) - Liquid

Max Pressure

316L Stainless Steel — 200 psig

PVC Fittings — 150 psig

Ambient Temperature

33° F to 125° F (1° C to 52° C)

OPTIONS

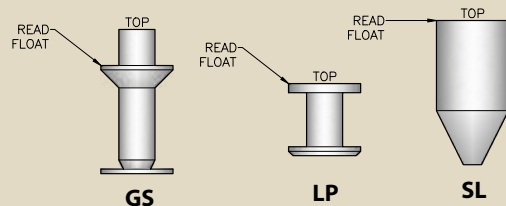
Certified Calibrations

Conform to ISA RP 16.6

Scales

Can be produced in any volumetric unit

Float Types



SPECIFICATIONS:

Order Number	Full Scale Flow GPM — Water	Order Number	Full Scale Flow SCFM — Air	Float Number	Float Type	Press.Drop In W.C.	Tube Size	Tube Number	Connection Size
41W	.5	41A	2.0	1/2-LPG-04	LP	–	4G (.50")	1/2-24-G-3	1/2" - FNPT
42W	1.0	42A	4.0	1/2-LPG-05	LP	5	4G (.50")	1/2-24-G-3	1/2" - FNPT
43W	2.0	43A	8.2	1/2-SLG-01	SL	9	4G (.50")	1/2-24-G-3	1/2" - FNPT
44W	3.5	44A	14.0	5/8-SLP-01	SL	9	4P (.625")	5/8-29-P-3	1/2" - FNPT
45W	5.6	–	–	5/8-SLP-02	SL	11	4P (.625")	5/8-29-P-3	1/2" - FNPT
46W	7.4	–	–	5/8-SLP-03	SL	15	4P (.625")	5/8-29-P-3	1/2" - FNPT
61W	10.0	–	–	1-GSP-01	GS	16	6P (1")	1-35-P-3	1" - FNPT
62W	15.0	–	–	1-SLG-02	SL	24	6P (1")	1-35-P-3	1" - FNPT
63W	25.0	–	–	1-SLG-01	SL	42	6P (1")	1-35-P-3	1" - FNPT

FOOTNOTES:

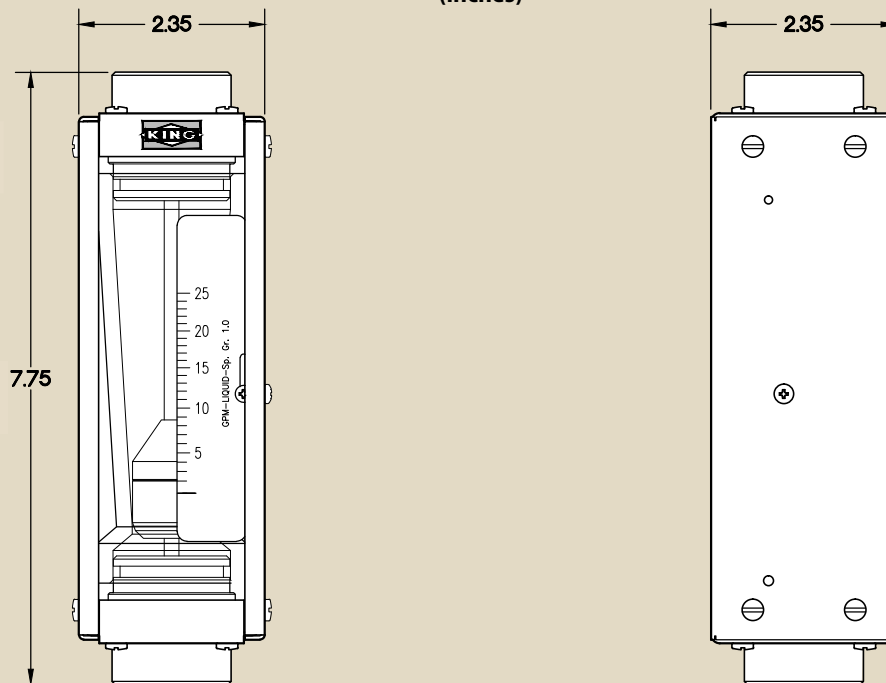
Because of the compressible nature of gas, meters used in this service may be subject to float bounce:

- The meter is used in very low pressure applications.
- There is more than two pipe diameters between the meter and a control valve.
- The gas being metered is a low Specific Gravity.

- The meter is operating below 20% of full scale flow.
- Back pressure is insufficient to stabilize the float.

Tubes with the designation "G" have rib-guided floats. Tubes designated "P" have pole-guided floats

DIMENSION DIAGRAM (Inches)



ORDERING:

Use the following guide to determine the specific product number you require.

Meter Series	Fitting Material	Float Material	O-Ring Material	Order Number
7 4 6	316L SS - 1	316L SS - 2	EPR - 1	See Specification
	PVC - 3 (Not for air service)	Hastelloy® C-276 - 4	Buna - N - 2 Viton® - 3 Kalrez® - 4	Table Above

Available with NPT or flange connections, vertical or horizontal, this 127 mm scale glass tube meter offers value and versatility in 304 stainless steel case construction.



DESCRIPTION

Metering Tube

Borosilicate Kinglass

Internal Components

Standard: 316L Stainless Steel
Optional: Hastelloy® C-276

Inlet/Outlet Fittings

FNPT or Flange, Vertical or Horizontal

Fitting Material

Standard: 316L Stainless Steel
Optional: PVC (vertical connections only)

Elastomers

Standard: Viton®
Optional: Buna-N, EPR, and Kalrez®

Case and Covers

304 Stainless Steel Case
Polycarbonate Shield

PERFORMANCE

Capacities

0.25 to 116 GPM — Water
1 to 245 SCFM — Air

Scale

127 mm (5")
Direct reading, detachable

Accuracy

± 3% of Full Scale Flow

Turndown

10:1 unless otherwise indicated

Repeatability

0.5%

Max Temperature

316L SS Fittings	PVC Fittings
250° F (121° C) - Gases	110° F (43° C) - Liquid
200° F (93° C) - Liquid	

Max Pressure

316L SS Fittings — 250 psig, size 3 & 4
316L SS Fittings — 200 psig, size 5 & 6
316L SS Fittings — 150 psig, size 8 & 9
PVC Fittings — 150 psig

Ambient Temperature

33° F to 125° F (1° C to 52° C)

OPTIONS

Alarm

Latching reed switch (see page 49)

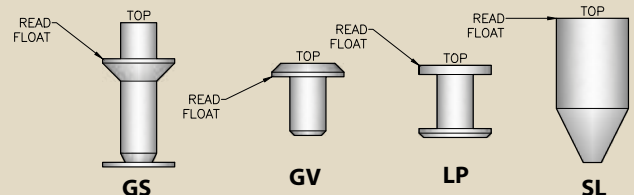
Certified Calibrations

Conform to ISA RP 16.6

Scales

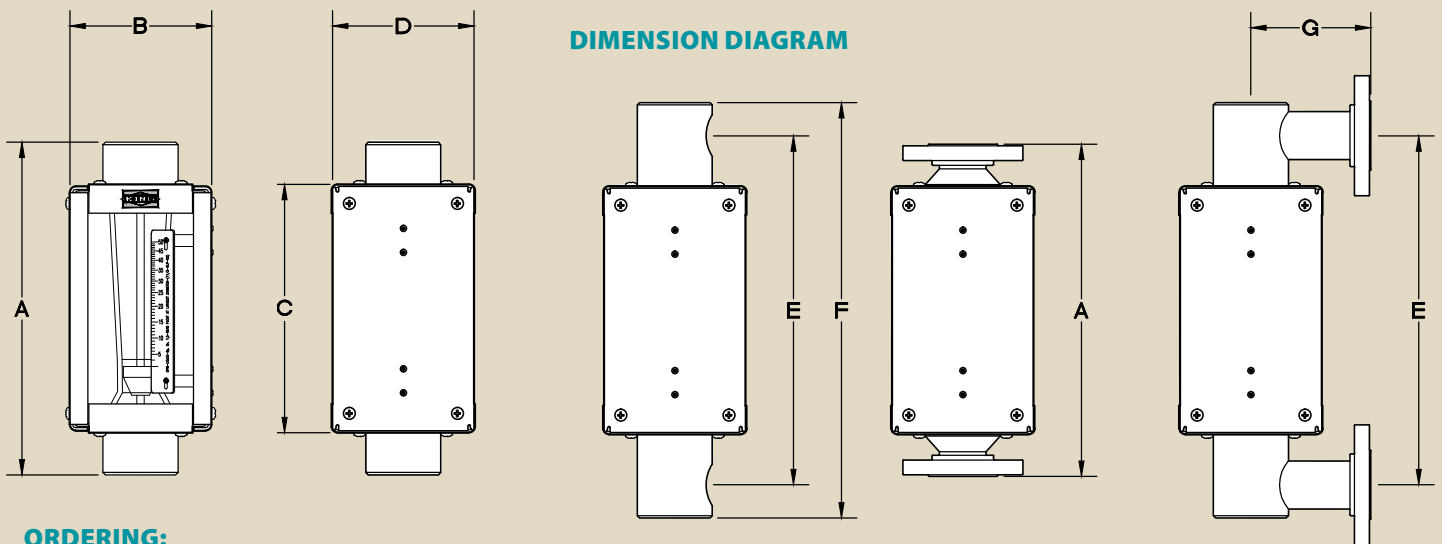
Can be produced in any volumetric unit

Float Types



SPECIFICATIONS:

Order No.	Full Scale		Order No.	Full Scale		Float Number	Float Type	Press. Drop In W.C	Tube Size - Number	Dimensions (Inches)							Connection Size	
	Flow GPM - Water	Alarm Opt.		Flow SCFM - Air	Alarm Opt.					A	B	C	D	E	F	G	FNPT	Flange
31W	.25	No	31A	1.0	No	3/8-LPG-01	LP	---	3G - 3/8-20-G-5	14.78	4.22	10.13	4.22	12.50	13.13	3.50	3/4"	1/2"
32W	.36	No	32A	1.5	No	3/8-SLG-01	SL	2	3G - 3/8-20-G-5	14.78	4.22	10.13	4.22	12.50	13.13	3.50	3/4"	1/2"
33W	.74	No	33A	3.0	No	3/8-SLG-02	SL	5	3G - 3/8-20-G-5	14.78	4.22	10.13	4.22	12.50	13.13	3.50	3/4"	1/2"
41W	1.0	No	41A	4.2	No	1/2-LPG-01	LP	6	4G - 1/2-27-G-5	14.78	4.22	10.13	4.22	12.50	13.13	3.50	3/4"	1/2"
43W	2.0	Yes	43A	8.2	Yes	1/2-SLG-01	GS	10	4G - 1/2-27-G-5	14.78	4.22	10.13	4.22	12.50	13.13	3.50	3/4"	1/2"
51W	1.5	No	51A	6.0	No	3/4-LPG-01	LP	3	5G - 3/4-30-G-5	14.78	4.22	10.13	4.22	12.50	13.13	4.00	3/4"	1"
52W	3.8	Yes	52A	16.0	Yes	3/4-GSG-01	GS	10	5G - 3/4-30-G-5	14.78	4.22	10.13	4.22	12.50	13.13	4.00	3/4"	1"
53W	5.0	Yes	53A	21.5	Yes	3/4-SLG-01	SL	14	5G - 3/4-30-G-5	14.78	4.22	10.13	4.22	12.50	13.13	4.00	3/4"	1"
61W	6.0	No	61A	25.5	No	1-GVP-01	GV	5	6P - 1-33-P-5	14.78	4.22	10.13	4.22	12.50	13.13	4.00	3/4"	1"
62W	7.4	No	62A	30.0	No	1-GVP-02	GV	6	6P - 1-33-P-5	14.78	4.22	10.13	4.22	12.50	13.13	4.00	3/4"	1"
63W	9.6	No	63A	40.0	No	1-GSP-01	GS	10	6P - 1-33-P-5	14.78	4.22	10.13	4.22	12.50	13.13	4.00	3/4"	1"
64W	11.0	No	64A	45.0	No	1-GSP-02	GS	13	6P - 1-33-P-5	14.78	4.22	10.13	4.22	12.50	13.13	4.00	3/4"	1"
65W	14.0	No	65A	62.0	No	1-GSP-03	GS	24	6P - 1-33-P-5	14.78	4.22	10.13	4.22	12.50	13.13	4.00	3/4"	1"
66W	20.0	Yes	66A	90.0	Yes	1-SLP-01	SL	39	6P - 1-33-P-5	14.78	4.22	10.13	4.22	12.50	13.13	4.00	3/4"	1"
67W	26.0	Yes	—	—	—	1-SLP-02	SL	45	6P - 1-33-P-5	14.78	4.22	10.13	4.22	12.50	13.13	4.00	3/4"	1"
81W	22.0	Yes	81A	90.0	Yes	1 1/2-GVP-01	GV	16	8P - 1 1/2-34-P-5	13.86	5.90	10.18	5.90	14.50	17.25	5.00	1 1/2"	1 1/2"
82W	30.0	No	82A	125.0	No	1 1/2-GVP-02	SL	23	8P - 1 1/2-34-P-5	13.86	5.90	10.18	5.90	14.50	17.25	5.00	1 1/2"	1 1/2"
83W	44.0	Yes	83A	180.0	Yes	1 1/2-SLP-01	SL	30	8P - 1 1/2-34-P-5	13.86	5.90	10.18	5.90	14.50	17.25	5.00	1 1/2"	1 1/2"
84W	50.0	Yes	84A	200.0	Yes	1 1/2-SLP-02	SL	35	8P - 1 1/2-34-P-5	13.86	5.90	10.18	5.90	14.50	17.25	5.00	1 1/2"	1 1/2"
85W	61.0	Yes	85A	250.0	Yes	1 1/2-SLP-03	SL	40	8P - 1 1/2-34-P-5	13.86	5.90	10.18	5.90	14.50	17.25	5.00	1 1/2"	1 1/2"
91W	41.0	Yes	91A	160.0	Yes	2-GVP-01	GV	5	9P - 2-33-P-5	13.86	5.90	10.18	5.90	14.50	17.25	5.00	1 1/2"	1 1/2"
92W	60.0	Yes	92A	245.0	Yes	2-GSP-01	GS	16	9P - 2-33-P-5	13.86	5.90	10.18	5.90	14.50	17.25	5.00	1 1/2"	1 1/2"
93W	86.0	Yes	—	—	—	2-SLP-01	SL	25	9P - 2-33-P-5	13.86	5.90	10.18	5.90	14.50	17.25	5.00	1 1/2"	1 1/2"
94W	116.0	Yes	—	—	—	2-SLP-02	SL	45	9P - 2-33-P-5	13.86	5.90	10.18	5.90	14.50	17.25	5.00	1 1/2"	1 1/2"

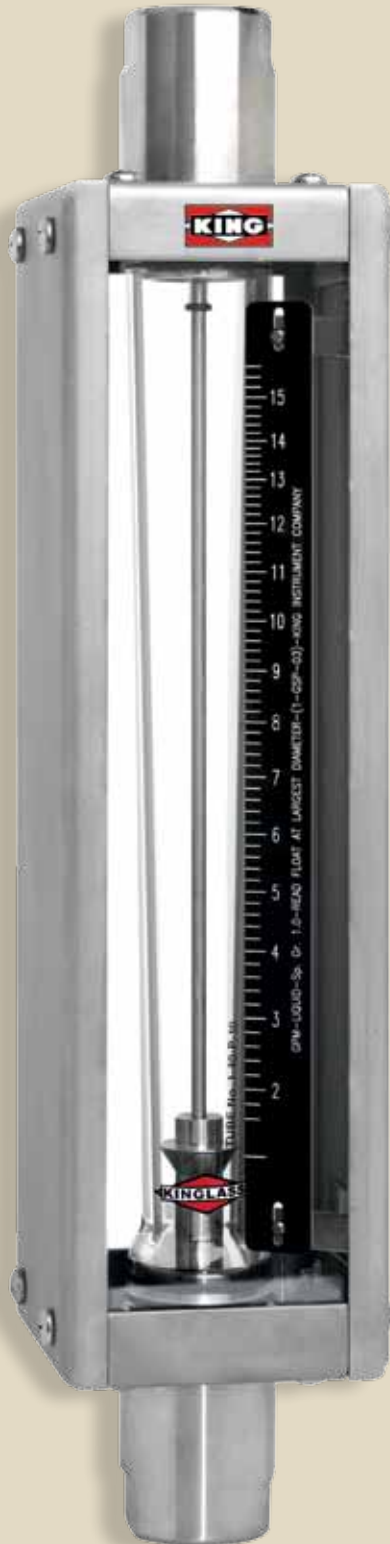


ORDERING:

Use the following guide to determine the specific product number you require.

Meter Series	Fitting Material	Float Material	O-Ring Material	Order Number	Alarm Option
7 4 7	Vertical FNPT - 316L SS - 1	316L SS - 2	EPR - 1	See Specification Table Above	Check Specifications Table For Availability
	Horizontal FNPT - 316L SS - 2	Hastelloy® C-276 - 4	Buna - N - 2		
	Vertical Flange - 150# - 3		Viton® - 3		Without Alarm - 0
	Vertical Flange - 300# - 4		Kalrez® - 4		With Alarm - 1
	Horizontal Flange - 150# - 5				
	Horizontal Flange - 300# - 6				
	Vertical FNPT-PVC - 7 (not for air service)				

This 250 mm scale, economical glass tube meter features 304 stainless steel case construction. NPT or flange, vertical or horizontal connections offer installation versatility.



DESCRIPTION

Metering Tube

Borosilicate Kinglass

Internal Components

Standard: 316L Stainless Steel
Optional: Hastelloy® C-276

Inlet/Outlet Fittings

FNPT or Flange, Vertical or Horizontal

Fitting Material

Standard: 316L Stainless Steel
Optional: PVC (vertical connections only)

Elastomers

Standard: Viton®
Optional: Buna N, EPR, and Kalrez®

Case and Covers

304 Stainless Steel Case
Polycarbonate Shield

PERFORMANCE

Capacities

0.22 to 132 GPM — Water
0.9 to 350 SCFM — Air

Scale

250 mm (10") Direct reading, detachable

Accuracy

± 2% of Full Scale Flow

Turndown

10:1 unless otherwise indicated

Repeatability

0.5%

Max Temperature

316L SS Fittings — 200° F (93° C)
PVC Fittings — 110° F (43° C)

Max Pressure

316L SS Fittings — 250 psig, size 3 & 4
316L SS Fittings — 250 psig, size 5 & 6
316L SS Fittings — 150 psig, size 8 & 9
PVC Fittings — 150 psig, size 3,4,5 & 6
PVC Fittings — 125 psig, size 8 & 9

Ambient Temperature

33° F to 125° F (1° C to 52° C)

OPTIONS

Alarm

Latching reed switch (see page 49)

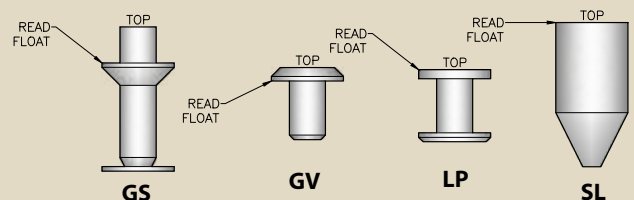
Certified Calibrations

Conform to ISA RP 16.6

Scales

Can be produced in any volumetric unit.

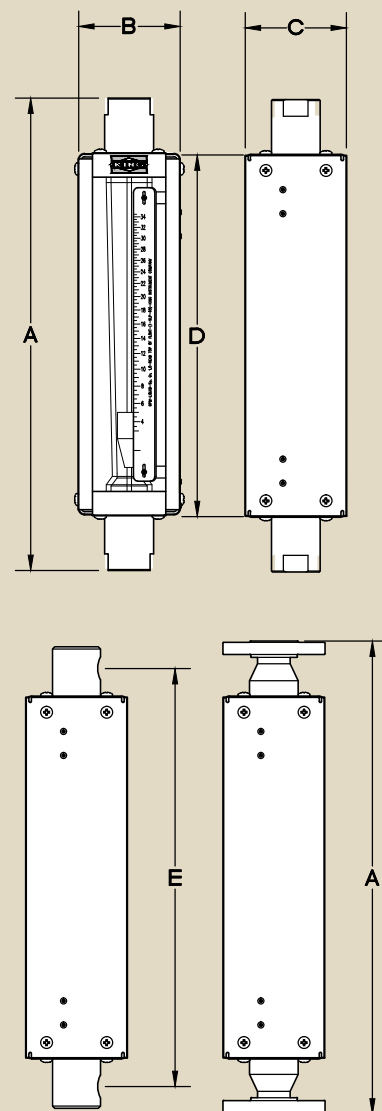
Float Types



SPECIFICATIONS:

Order No.	Full Scale Flow GPM - Water	Alarm Opt.	Order No.	Full Scale Flow SCFM - Air	Alarm Opt.	Float Number	Float Type	Press. Drop In W.C	Tube Size - Number
31W	.22	No	31A	.9	No	3/8-LPG-01	LP	—	3G - 3/8-20-G-10
32W	.315	No	32A	1.4	No	3/8-SLG-01	SL	2	3G - 3/8-20-G-10
33W	.64	No	33A	2.7	No	3/8-SLG-02	SL	7	3G - 3/8-20-G-10
41W	.77	No	41A	3.4	No	1/2-LPG-01	LP	6	4G - 1/2-32-G-10
42W	1.02	No	42A	4.4	No	1/2-LPG-02	LP	10	4G - 1/2-32-G-10
43W	1.20	Yes	43A	5.0	Yes	1/2-GVG-01	GV	10	4G - 1/2-32-G-10
44W	1.44	No	44A	6.1	No	1/2-GSG-01	GS	15	4G - 1/2-32-G-10
45W	1.92	Yes	45A	8.5	Yes	1/2-SLG-01	SL	28	4G - 1/2-32-G-10
46W	2.26	Yes	46A	10.2	Yes	1/2-SLG-02	SL	41	4G - 1/2-32-G-10
51W	1.1	No	51A	4.5	No	3/4-LPG-01	SL	1	5G - 3/4-28-G-10
52W	2.4	Yes	52A	10.0	Yes	3/4-GVG-01	SL	4	5G - 3/4-28-G-10
53W	3.0	Yes	53A	12.0	Yes	3/4-GSG-01	SL	5	5G - 3/4-28-G-10
54W	3.3	Yes	54A	13.2	Yes	3/4-GVG-02	SL	6	5G - 3/4-28-G-10
55W	4.0	Yes	55A	16.4	Yes	3/4-GSG-02	SL	6	5G - 3/4-28-G-10
56W	5.2	Yes	56A	22.0	Yes	3/4-SLG-01	SL	18	5G - 3/4-28-G-10
61W	6.9	Yes	—	—	—	1-LPG-02	LP	4	6G - 1-32-G-10
62W	9.8	No	—	—	—	1-SLG-01	SL	8	6G - 1-32-G-10
63W	12.6	Yes	—	—	—	1-SLG-02	SL	13	6G - 1-32-G-10
64W	6.7	No	64A	27.0	No	1-LPP-01	LP	4	6P - 1-40-P-10
65W	7.4	No	65A	30.0	No	1-GVP-01	GV	6	6P - 1-40-P-10
66W	8.5	No	66A	35.0	No	1-GVP-02	GV	8	6P - 1-40-P-10
67W	10.4	No	67A	42.5	No	1-GSP-01	GS	10	6P - 1-40-P-10
68W	11.6	No	68A	46.5	No	1-GVP-03	GV	15	6P - 1-40-P-10
69W	12.0	No	69A	50.0	No	1-GSP-02	GS	14	6P - 1-40-P-10
610W	15.6	No	610A	63.0	No	1-GSP-03	GS	24	6P - 1-40-P-10
611W	21.6	Yes	611A	100.0	Yes	1-SLP-01	SL	61	6P - 1-40-P-10
612W	27.5	Yes	—	—	—	1-SLP-02	SL	85	6P - 1-40-P-10
613W	34.5	Yes	—	—	—	1-SLP-03	SL	110	6P - 1-40-P-10
84W	17.0	No	84A	70.0	No	11/2-GVP-01	LP	2	8P - 11/2-32-P-10
85W	21.2	No	85A	87.0	No	11/2-GVP-02	LP	4	8P - 11/2-32-P-10
86W	22.2	No	—	—	—	11/2-GSP-01	LP	6	8P - 11/2-32-P-10
87W	24.8	No	87A	102.0	No	11/2-GVP-03	GV	10	8P - 11/2-32-P-10
88W	28.5	No	—	—	—	11/2-GSP-02	GV	20	8P - 11/2-32-P-10
89W	35.0	No	—	—	—	11/2-GSP-03	GS	24	8P - 11/2-32-P-10
94W	41.5	No	94A	170.0	No	2-GVP-01	GV	2	9P - 2-30-P-10
95W	58.0	No	95A	240.0	No	2-GSP-01	GS	6	9P - 2-30-P-10
96W	65.0	No	96A	270.0	No	2-GSP-02	GS	10	9P - 2-30-P-10
97W	85.0	No	97A	350.0	No	2-SLP-00	SL	40	9P - 2-30-P-10
98W	100.0	No	—	—	—	2-SLP-01	SL	50	9P - 2-30-P-10
99W	132.0	No	—	—	—	2-SLP-02	SL	60	9P - 2-30-P-10

DIMENSION DIAGRAM



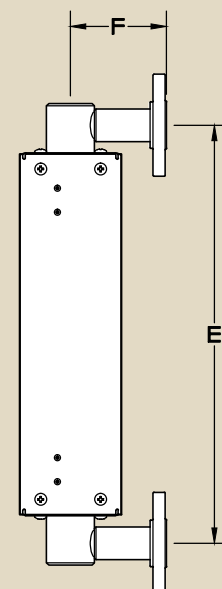
Order Numbers	Connection Size		Dimensions (Inches)						
	FNPT	Flange	A	B	C	D	E	F	
31W/A - 43W/A	3/4"	1/2"	19.69	4.22	4.22	15.00	17.5	3.5	
51W - 613W	3/4"	1"	19.69	4.22	4.22	15.00	17.5	3.5	
84W - 99W	1 1/2"	1 1/2"	19.69	5.90	5.90	16.14	20.50	5	

ORDERING:

Use the following guide to determine the specific product number you require.

Meter Series	Fitting Material	Float Material	O-Ring Material	Order Number	Alarm Option
7	Vertical FNPT - 316L SS - 1	316L SS - 2	EPR - 1	See Specification	Check Specifications
4	Horizontal FNPT - 316L SS - 2	Hastelloy® C-276 - 4	Buna - N - 2	Table Above	Table For Availability
8	Vertical Flange - 150# - 3		Viton® - 3		Without Alarm - 0
	Vertical Flange - 300# - 4		Kalrez® - 4		With Alarm - 1
	Horizontal Flange - 150# - 5				
	Horizontal Flange - 300# - 6				
	Vertical FNPT-PVC - 7				
	(not for air service)				

* Only use this box with order numbers 610W thru 613W. Otherwise leave blank



Acrylic block construction with direct reading scales have white screen printed backs to enhance scale readability. Connections are in-line for easy installation.



DESCRIPTION

Metering Tube

Machined Cast Acrylic

Internal Components

316L Stainless Steel

Inlet/Outlet Fittings

FNPT, Vertical

Fitting Material

Standard: PVC

Optional: 316L Stainless Steel, Brass

Elastomers

Standard: EPR

Optional: Buna N, Viton

PERFORMANCE

Capacities

7 GPM to 20 GPM — Water

2.6 SCFH to 60 SCFM — Air

Scale

50mm, 65mm, 100mm, 127mm, 250mm

Direct reading

Accuracy

± 6% of Full Scale Flow, 50mm scale

± 5% of Full Scale Flow, 65mm scale

± 4% of Full Scale Flow, 100mm scale

± 3% of Full Scale Flow, 127mm scale

± 2% of Full Scale Flow, 250mm scale

Turndown

10:1 unless otherwise indicated

Repeatability

3%, 50 mm scale

2%, 75 mm scale

2%, 100 mm scale

2%, 127 mm scale

0.5%, 250 mm scale

Max Temperature

130° F (54° C) - Liquid

100° F (38° C) - Gases

Max Pressure

Water — 125 psig

Air — 100 psig

Ambient Temperature

33° F to 125° F (1° C to 52° C)

OPTIONS

Certified Calibrations

Conform to ISA RP 16.6

Scales

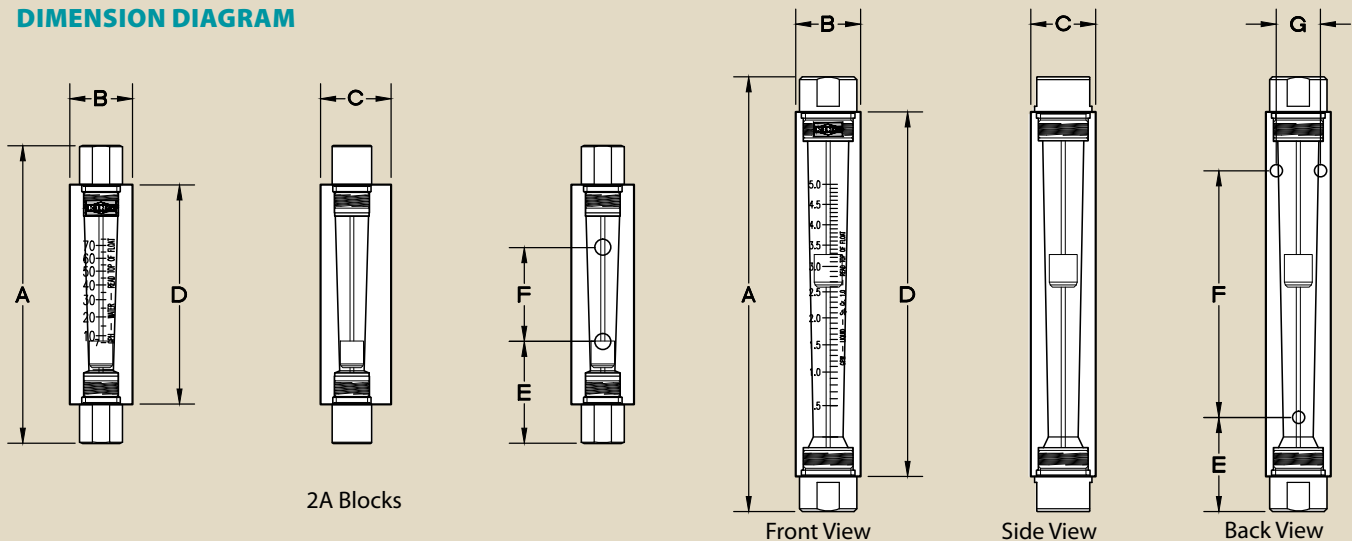
Can be produced in any volumetric unit

SPECIFICATIONS:

Order Number	Flow Water	Order Number	Flow Air	Connection Size	A	B	C	D	E	F	G
Block #2A, 50mm (2 Inch) Scale											
—	—	2A-01	2.6 SCFH	1/4" FNPT*	4.75	1	1.125	3.50	1	1.50	—
—	—	2A-03	5 SCFH	1/4" FNPT*	4.75	1	1.125	3.50	1	1.50	—
—	—	2A-05	10 SCFH	1/4" FNPT*	4.75	1	1.125	3.50	1	1.50	—
—	—	2A-07	20 SCFH	1/4" FNPT*	4.75	1	1.125	3.50	1	1.50	—
2A-02	7 GPH	2A-09	30 SCFH	1/4" FNPT*	4.75	1	1.125	3.50	1	1.50	—
2A-04	12 GPH	2A-11	70 SCFH	1/4" FNPT*	4.75	1	1.125	3.50	1	1.50	—
2A-06	22 GPH	2A-13	100 SCFH	1/4" FNPT*	4.75	1	1.125	3.50	1	1.50	—
2A-08	44 GPH	2A-15	180 SCFH	1/4" FNPT*	4.75	1	1.125	3.50	1	1.50	—
2A-10	60 GPH	2A-17	4 SCFM	1/4" FNPT*	4.75	1	1.125	3.50	1	1.50	—
2A-12	75 GPH	—	—	1/4" FNPT*	4.75	1	1.125	3.50	1	1.50	—
Block #2B, 65mm (2 1/2 Inch) Scale											
2B-02	1 GPM	2B-01	4 SCFM	1/2" FNPT	6.50	1.375	1.375	5	1.25	2.50	.937
2B-04	2 GPM	2B-03	8 SCFM	1/2" FNPT	6.50	1.375	1.375	5	1.25	2.50	.937
2B-06	3.6 GPM	2B-05	15 SCFM	1/2" FNPT	6.50	1.375	1.375	5	1.25	2.50	.937
2B-08	5 GPM	2B-07	20 SCFM	1/2" FNPT	6.50	1.375	1.375	5	1.25	2.50	.937
Block #5B, 127mm (5 Inch) Scale											
5B-02	1 GPM	5B-01	4.2 SCFM	1/2" FNPT	9.25	1.375	1.375	7.75	1.25	5.25	.937
5B-04	2 GPM	5B-03	8.2 SCFM	1/2" FNPT	9.25	1.375	1.375	7.75	1.25	5.25	.937
5B-06	3.5 GPM	5B-05	15 SCFM	1/2" FNPT	9.25	1.375	1.375	7.75	1.25	5.25	.937
5B-08	5 GPM	5B-07	21 SCFM	1/2" FNPT	9.25	1.375	1.375	7.75	1.25	5.25	.937
Block #6A, 100mm (4 Inch) Scale											
6A-02	10 GPM	6A-01	40 SCFM	1" FNPT	8.375	1.78	1.812	6.625	1.312	4	1.25
6A-04	15 GPM	6A-03	60 SCFM	1" FNPT	8.375	1.78	1.812	6.625	1.312	4	1.25
6A-06	20 GPM	—	—	1" FNPT	8.375	1.78	1.812	6.625	1.312	4	1.25
Block #7A, 250mm (10 Inch) Scale											
7A-02	2 GPM	7A-01	8 SCFM	3/4" FNPT	14.812	1.78	1.812	13	2.50	8	1.25
7A-04	3.5 GPM	7A-03	14.8 SCFM	3/4" FNPT	14.812	1.78	1.812	13	2.50	8	1.25
7A-06	5 GPM	7A-05	20 SCFM	3/4" FNPT	14.812	1.78	1.812	13	2.50	8	1.25
7A-08	10 GPM	7A-07	42 SCFM	3/4" FNPT	14.812	1.78	1.812	13	2.50	8	1.25

*Block 2A has 1/4" FNPT with Brass or Stainless Steel Fitting, 1/4" MNPT with PVC fittings
 **10-32 female thread. (Mounting Screws Not Supplied)

DIMENSION DIAGRAM



ORDERING:

Use the following guide to determine the specific product number you require.

7	5	1					
---	---	---	--	--	--	--	--

Meter Series	Fitting Material	O-Ring Material	Order Number
7510 - 2A, 6A, 7A	Brass - 1	EPR - 1	See Specifications
7511 - 2B, 5B	PVC - 2	Buna-N - 2	Table
	316L SS - 3	Viton - 3	

2B, 5B, 6A, and 7A Blocks

Economical machined cast acrylic block construction makes these meters great for OEM use. Optional inlet metering valve available



DESCRIPTION

Metering Tube

Machined Cast Acrylic

Internal Components

316L Stainless Steel

Inlet/Outlet Fittings

NPT, Horizontal

Control Valve optional

Fitting Material

Standard: PVC (Brass for 2C block size)

Optional: 316L Stainless Steel or Brass

Elastomers

Standard: EPR

Optional: Buna N, Viton[®], and Kalrez[®]

PERFORMANCE

Capacities

7 GPM to 20 GPM — Water

2.6 SCFH to 60 SCFM — Air

Scale

50mm, 75mm, 100mm, 127mm, 250mm

Direct reading

Accuracy

± 6% of Full Scale Flow, 50 mm scale

± 4% of Full Scale Flow, 75 mm scale

± 4% of Full Scale Flow, 100 mm scale

± 7% of Full Scale Flow, 6C-04, 6C-06

± 3% of Full Scale Flow, 127 mm scale

± 2% of Full Scale Flow, 250 mm scale

Turndown

10:1 unless otherwise indicated

Repeatability

3%, 50 mm scale

2%, 75 mm scale

2%, 100 mm scale

4%, 6C-04, 6C-06

2%, 127 mm scale

0.5%, 250 mm scale

Max Temperature

130° F (54° C) - Liquid

100° F (38° C) - Gases

Max Pressure

Water — 125 psig

Air — 100 psig

Ambient Temperature

33° F to 125° F (1° C to 52° C)

OPTIONS

Certified Calibrations

Conform to ISA RP 16.6

Scales

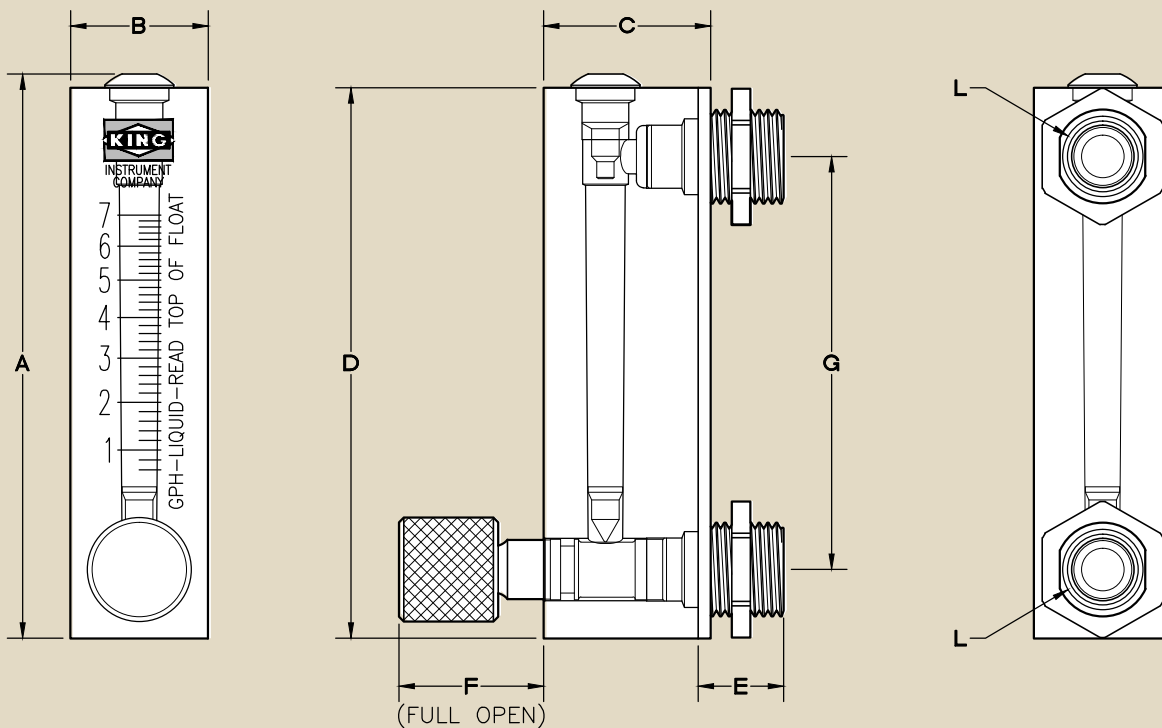
Can be produced in any volumetric unit

SPECIFICATIONS:

Order Number	Flow Water	Order Number	Flow Air	Dimensions (Inches)							Diameter L
				A	B	C	D	E	F	G	
Block #2C, 50mm (2 Inch) Scale											
-	-	2C-01*	2.6 SCFH	4.125	1	1.215	4	.50	1.05	3	.700
-	-	2C-03	5 SCFH	4.125	1	1.215	4	.50	1.05	3	.700
-	-	2C-05*	10 SCFH	4.125	1	1.215	4	.50	1.05	3	.700
-	-	2C-07*	20 SCFH	4.125	1	1.215	4	.50	1.05	3	.700
2C-02	7 GPH	2C-09	30 SCFH	4.125	1	1.215	4	.50	1.05	3	.700
2C-04	12 GPH	2C-11	60 SCFH	4.125	1	1.215	4	.50	1.05	3	.700
2C-06	22 GPH	2C-13	100 SCFH	4.125	1	1.215	4	.50	1.05	3	.700
2C-08	44 GPH	2C-15	180 SCFH	4.125	1	1.215	4	.50	1.05	3	.700
2C-10	60 GPH	2C-17	4 SCFM	4.125	1	1.215	4	.50	1.05	3	.700
2C-12	75 GPH	—	—	4.125	1	1.215	4	.50	1.05	3	.700

*These meters have glass ball floats

DIMENSION DIAGRAM



CONNECTIONS & MOUNTING

Block Number	Connection Size
2C	1/4" FNPT

Block 2C is supplied with .875" hex mounting nuts on plumbing connections.

ORDERING:

Use the following guide to determine the specific product number you require.

Meter Series	Fitting Material	O-Ring Material	Valve Material	Order Number
7520 No valve	Brass - 1	EPR - 1	Brass - 1	See Specifications
7530 With valve	316L SS - 3	Buna-N - 2	316L SS - 2	Table
		Viton® - 3	Without Valve - 0	

Order Number	Flow Water	Order Number	Flow Air	Dimensions (Inches)						
				A	B	C	D	E	F	G
Block #3C, 75mm (3 Inch) Scale										
3C-02	1 GPM	3C-01	4 SCFM	6.875	1.20	1.35	6.625	1	1.37	5
3C-04	2 GPM	3C-03	8 SCFM	6.875	1.20	1.35	6.625	1	1.37	5
3C-06	3.5 GPM	3C-05	15 SCFM	6.875	1.20	1.35	6.625	1	1.37	5
3C-08	5 GPM	3C-07	23 SCFM	6.875	1.20	1.35	6.625	1	1.37	5
Block #5C, 127mm (5 Inch) Scale										
5C-10	10 GPH	5C-11	42 SCFH	8.45	1.20	1.35	8.25	1	1.37	6.437
5C-12	20 GPH	5C-13	100 SCFH	8.45	1.20	1.35	8.25	1	1.37	6.437
5C-14	40 GPH	5C-15	175 SCFH	8.45	1.20	1.35	8.25	1	1.37	6.437
5C-02	1 GPM	5C-01	4 SCFM	8.45	1.20	1.35	8.25	1	1.25	6.437
5C-04	100 GPH	5C-03	6.8 SCFM	8.45	1.20	1.35	8.25	1	1.37	6.437
5C-06	2 GPM	5C-05	8.2 SCFM	8.45	1.20	1.35	8.25	1	1.37	6.437
5C-08	5 GPM	5C-07	22 SCFM	8.45	1.20	1.35	8.25	1	1.37	6.437
Block #6C, 100mm (4 Inch) Scale										
6C-02	10 GPM	6C-01	40 SCFM	9.125	1.78	1.812	8.875	1.25	1.875	6.50
6C-04	15 GPM	6C-03	60 SCFM	9.125	1.78	1.812	8.875	1.25	1.875	6.50
6C-06	20 GPM	—	—	9.125	1.78	1.812	8.875	1.25	1.875	6.50
Block #7C, 250mm (10 Inch) Scale										
7C-02	2 GPM	7C-01	8 SCFM	14.50	1.78	1.812	14.25	.75	1.75	12.25
7C-04	3.5 GPM	7C-03	14.4 SCFM	14.50	1.78	1.812	14.25	.75	1.75	12.25
7C-06	5 GPM	7C-05	20 SCFM	14.50	1.78	1.812	14.25	.75	1.75	12.25
7C-08	10 GPM	7C-07	42 SCFM	14.50	1.78	1.812	14.25	.75	1.75	12.25

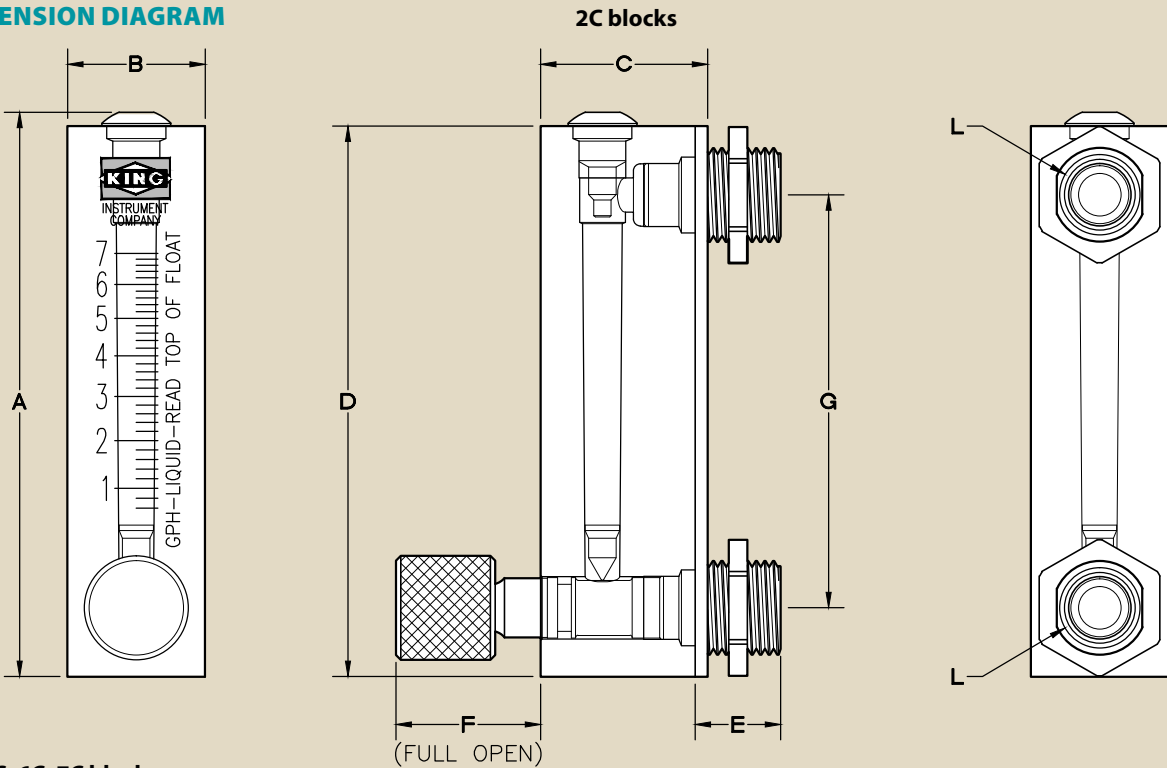
ORDERING:

Use the following guide to determine the specific product number you require.

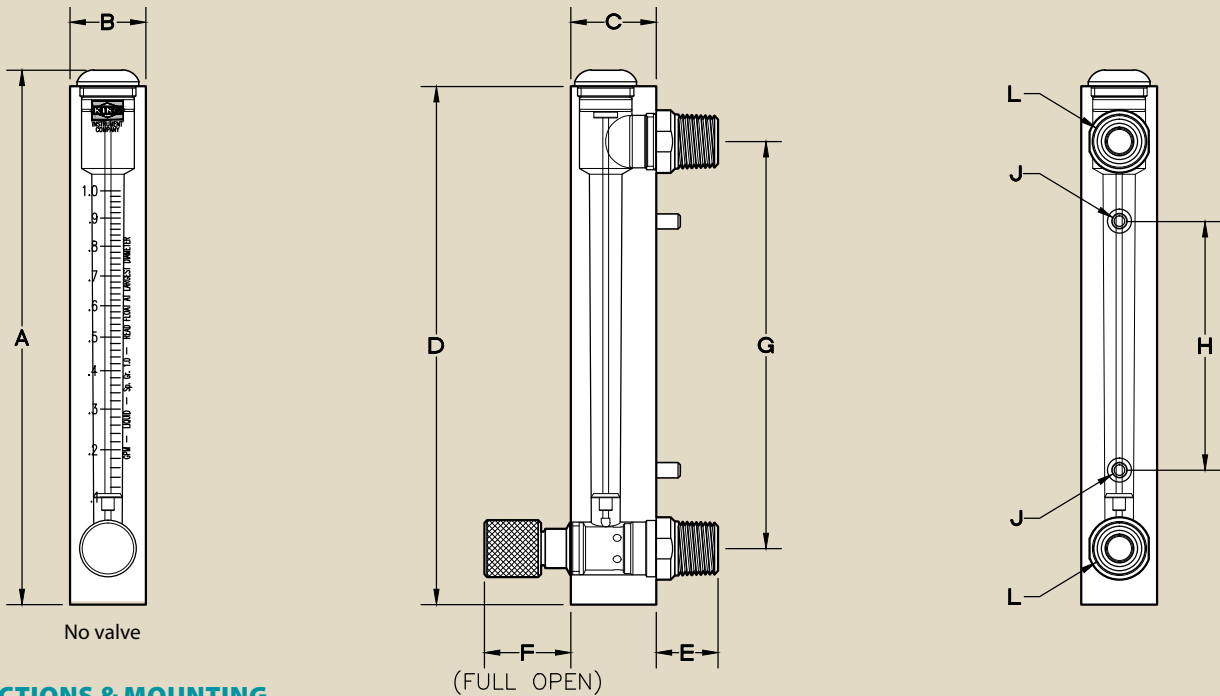
7	5									
Meter Series	Fitting Material	O-Ring Material	Valve Material	Order Number						
7520 No valve	Brass - 1	EPR - 1	Brass - 1	See Specifications						
7530 With valve	PVC - 2*	Buna-N - 2	316L SS - 2	Table						
	316L SS - 3	Viton® - 3	Without Valve - 0							

* 7530 6C with valve in brass inlet only

DIMENSION DIAGRAM



3C, 5C, 6C, 7C blocks



CONNECTIONS & MOUNTING

Block Number	Connection Size	Centerline H	Thread J	Diameter L
3C	1/2" MNPT x 1/4" FNPT	3	.25 - 20	1
5C	1/2" MNPT x 1/4" FNPT	3.937	.25 - 20	1
6C	1" MNPT	4	.25 - 20	1.375
7C	1/2" FNPT	8.75	.375 - 24	1.25

Blocks 3C, 5C, 6C and 7C have mounting studs depicted in dimension "H" and thread "J".
(Mounting Nuts Not Supplied)

7610 models feature fully enclosed, 127 mm scale, borosilicate glass metering tube with 304 stainless steel case. In-line 316L fittings and internals or PVC fittings with Hastelloy® C-276 internals are suitable for a variety of applications



DESCRIPTION

Metering Tube

Borosilicate Kinglass

Internal Components

Standard: 316L Stainless Steel

Optional: Hastelloy® C-276

Inlet/Outlet Fittings

FNPT, Vertical

Fitting Material

Standard: 316L Stainless Steel

Optional: PVC

Elastomers

Standard: Viton®

Optional: Buna N, EPR, and

Kalrez®

Case and Covers

304 Stainless Steel Case

Polycarbonate Shield

PERFORMANCE

Capacities

0.25 to 116 GPM — Water

1 to 245 SCFM — Air

Scale

127 mm (5")

Direct Reading, Detachable 5

Accuracy

± 3% of Full Scale Flow

Turndown

10:1 unless otherwise indicated

Repeatability

0.5%

Max Temperature

316L SS Fittings — 200° F (93° C)

PVC Fittings — 110° F (43° C)

Max Pressure

316L SS Fittings — 250 psig, size 3 & 4

316L SS Fittings — 200 psig, size 5 & 6

316L SS Fittings — 150 psig, size 8 & 9

PVC Fittings — 100 psig

Ambient Temperature

33° F to 125° F (1° C to 52° C)

OPTIONS

Alarm

Latching Reed Switch (see page 49)

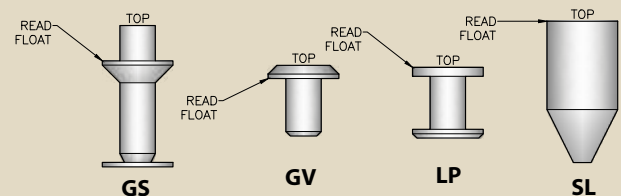
Certified Calibrations

Conform to ISA RP 16.6

Scales

Can be produced in any volumetric unit

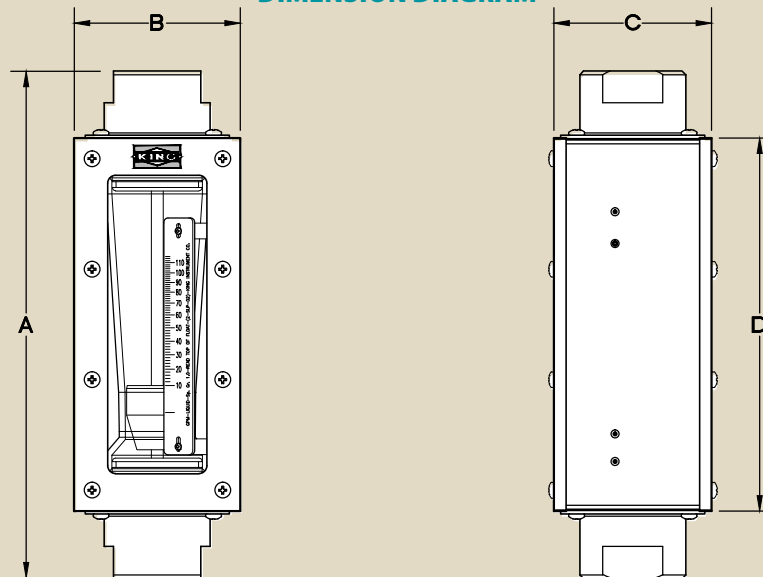
Float Types



SPECIFICATIONS:

Order No.	Full Scale		Order No.	Full Scale		Float Number	Float Type	Press. Drop In W.C	Tube Size - Number	Dimensions (Inches)				Connection Size FNPT
	Flow GPM - Water	Alarm Opt.		Flow SCFM - Air	Alarm Opt.					A	B	C	D	
31W	.25	No	31A	1.0	No	3/8-LPG-01	LP	—	3G-3/8-20-G-5	11.875	3.15	3.125	9.50	1/2"
32W	.36	No	32A	1.5	No	3/8-SLG-01	SL	2	3G-3/8-20-G-5	11.875	3.15	3.125	9.50	1/2"
33W	.74	No	33A	3.0	No	3/8-SLG-02	SL	5	3G-3/8-20-G-5	11.875	3.15	3.125	9.50	1/2"
41W	1.0	No	41A	4.2	No	1/2-LPG-01	LP	6	4G-1/2-27-G-5	11.875	3.15	3.125	9.50	1/2"
43W	2.0	Yes	43A	8.2	Yes	1/2-SLG-01	GS	10	4G-1/2-27-G-5	11.875	3.15	3.125	9.50	1/2"
51W	1.5	No	51A	6.0	No	3/4-LPG-01	LP	3	5G-3/4-30-G-5	13.75	3.95	3.875	10.60	1"
52W	3.8	Yes	52A	16.0	Yes	3/4-GSG-01	GS	10	5G-3/4-30-G-5	13.75	3.95	3.875	10.60	1"
53W	5.0	Yes	53A	21.5	Yes	3/4-SLG-01	SL	14	5G-3/4-30-G-5	13.75	3.95	3.875	10.60	1"
61W	6.0	No	61A	25.5	No	1-GVP-01	GV	5	6P-1-33-P-5	13.75	3.95	3.875	10.60	1"
62W	7.4	No	62A	30.0	No	1-GVP-02	GV	6	6P-1-33-P-5	13.75	3.95	3.875	10.60	1"
63W	9.6	No	63A	40.0	No	1-GSP-01	GS	10	6P-1-33-P-5	13.75	3.95	3.875	10.60	1"
64W	11.0	No	64A	45.0	No	1-GSP-02	GS	13	6P-1-33-P-5	13.75	3.95	3.875	10.60	1"
65W	14.0	No	65A	62.0	No	1-GSP-03	GS	24	6P-1-33-P-5	13.75	3.95	3.875	10.60	1"
66W	20.0	Yes	66A	90.0	Yes	1-SLP-01	SL	39	6P-1-33-P-5	13.75	3.95	3.875	10.60	1"
67W	26.0	Yes	—	—	—	1-SLP-02	SL	45	6P-1-33-P-5	13.75	3.95	3.875	10.60	1"
81W	22.0	Yes	81A	90.0	Yes	1 1/2-GVP-01	GV	16	8P-1 1/2-34-P-5	16	5.312	5.375	11.80	2"
82W	44.0	Yes	82A	180.0	Yes	1 1/2-SLP-01	SL	30	8P-1 1/2-34-P-5	16	5.312	5.375	11.80	2"
83W	61.0	Yes	83A	250.0	Yes	1 1/2-SLP-02	SL	40	8P-1 1/2-34-P-5	16	5.312	5.375	11.80	2"
91W	41.0	Yes	91A	160.0	Yes	2-GVP-01	GV	5	9P-2-33-P-5	16	5.312	5.375	11.80	2"
92W	60.0	Yes	92A	245.0	Yes	2-GSP-01	GS	16	9P-2-33-P-5	16	5.312	5.375	11.80	2"
93W	86.0	Yes	—	—	—	2-SLP-01	SL	25	9P-2-33-P-5	16	5.312	5.375	11.80	2"
94W	116.0	Yes	—	—	—	2-SLP-02	SL	45	9P-2-33-P-5	16	5.312	5.375	11.80	2"

DIMENSION DIAGRAM



ORDERING:

Use the following guide to determine the specific product number you require.

Meter Series	Fitting Material	Float Material	O-Ring Material	Alarm Option	Order Number
7 6 1	316L SS - 2 PVC (not for air service) - 3	316L SS - 2 Hastelloy® C-276 - 4	EPR - 1 Buna - N - 2 Viton® - 3 Kalrez® - 4	No Alarm - 0 Alarm - A	See Specification Table Above

A chemically resistant, borosilicate glass tube meter series for liquid service. It features a clear polycarbonate shield surrounding the glass metering tube. It is assembled in a 304 SS tie rod frame. It offers CPVC and Hastelloy C-276 as optional materials of construction, suitable for a wide range of chemical and corrosive applications. O-ring seals allow for easy disassembly and cleaning.



DESCRIPTION

Metering Tube

Borosilicate Kinglass

Internal Components

316L Stainless Steel
Hastelloy® C-276

Inlet/Outlet Fittings

FNPT, Vertical

Fitting Material

PVC, CPVC

Elastomers

EPR, Buna-N, Viton®, Kalrez®

PERFORMANCE

Capacities

0.25 to 26 GPM — Water

Scale

80 mm (3"), 127 mm (5") Direct Reading

Accuracy

± 5% of 5" Full Scale Flow
± 3% of 3" Full Scale Flow

Turndown

10:1 unless otherwise indicated

Repeatability

0.5%

Max Temperature

140° F (60° C)

Max Pressure

100 psig

Ambient Temperature

33° F to 125° F (1° C to 52° C)

OPTIONS

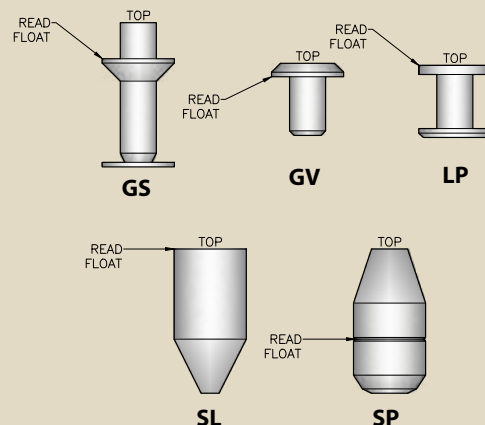
Certified Calibrations

Conform to ISA RP 16.6

Scales

Can be produced in any volumetric unit

Float Types

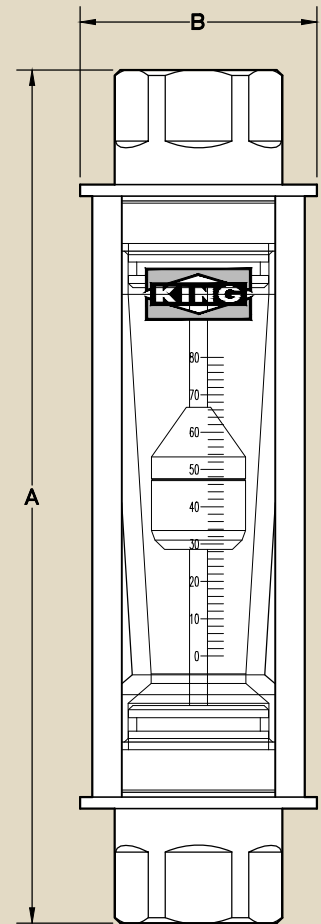


SPECIFICATIONS:

80 mm (3 inch) Scale							
Order Number	Full Scale Flow GPM—Water	Float Number	Float Type	Pressure Drop In W.C.	Tube Size	Tube Number	Connection Size
41W	.5	1/2-LPG-04	LP	—	4G	1/2-24-G-3	1" - FNPT
42W	1.0	1/2-LPG-05	LP	5	4G	1/2-24-G-3	1" - FNPT
43W	2.0	1/2-SLG-01	SL	9	4G	1/2-24-G-3	1" - FNPT
44W	3.5	5/8-SLP-01	SL	9	4P	5/8-29-P-3	1" - FNPT
45W	5.6	5/8-SLP-02	SL	11	4P	5/8-29-P-3	1" - FNPT
46W	7.4	5/8-SLP-03	SL	15	4P	5/8-29-P-3	1" - FNPT
60W	10.0	1-GSP-01	GS	16	6P	1-35-P-3	1" - FNPT
61W	15.0	1-GSP-02	GS	24	6P	1-35-P-3	1" - FNPT
62W	25.0	1-SLG-01	SL	42	6P	1-35-P-3	1" - FNPT

127 mm (5 inch) Scale							
Order Number	Full Scale Flow GPM—Water	Float Number	Float Type	Pressure Drop In W.C.	Tube Size	Tube Number	Connection Size
31W	.25	3/8-LPG-01	LP	---	3G	3/8-20-G-5	1" - FNPT
32W	.36	3/8-SLG-01	SL	2	3G	3/8-20-G-5	1" - FNPT
33W	.74	3/8-SLG-02	SL	5	3G	3/8-20-G-5	1" - FNPT
47W	1.0	1/2-LPG-01	LP	6	4G	1/2-27-G-5	1" - FNPT
48W	2.0	1/2-SLG-01	SL	10	4G	1/2-27-G-5	1" - FNPT
51W	1.5	3/4-LPG-01	LP	3	5G	3/4-30-G-5	1" - FNPT
52W	3.8	3/4-GSG-01	GS	10	5G	3/4-30-G-5	1" - FNPT
53W	5.0	3/4-SLG-01	SL	14	5G	3/4-30-G-5	1" - FNPT
63W	6.0	1-GVP-01	GV	5	6P	1-33-P-5	1" - FNPT
64W	7.4	1-GVP-02	GV	6	6P	1-33-P-5	1" - FNPT
65W	9.6	1-GSP-01	GS	10	6P	1-33-P-5	1" - FNPT
66W	11.0	1-GSP-02	GS	13	6P	1-33-P-5	1" - FNPT
67W	14.0	1-GSP-03	GS	24	6P	1-33-P-5	1" - FNPT
68W	20.0	1-SLP-01	SL	39	6P	1-33-P-5	1" - FNPT
69W	26.0	1-SLP-02	SL	45	6P	1-33-P-5	1" - FNPT

DIMENSION DIAGRAM



DIMENSIONS

Detail Letter	Scale length	
	80mm	127mm
A	9.00	12.25
B	2.75	2.75

ORDERING:

Use the following guide to determine the specific product number you require.

Meter Series	Scale Size	Fitting Material	Float Material	O-ring Material	Order Number
7 6 5	80 mm (3 inch) - 1	PVC - 3	316L SS - 2	EPR - 1	See Specifications Table
	127 mm (5 inch) - 2	CPVC - 4	Hastelloy® C-276 - 4	Buna-N - 2 Viton® - 3 Kalrez® - 4	

This all 316L Stainless Steel meter utilizes a float and tapered tube design which offers longer, more linear scales, better pointer stability and 40% greater accuracy than competitively priced products. A 4-20mA transmitter option adds to its versatility.



DESCRIPTION

Metering Tube

316L Stainless Steel

Internal Components

316L Stainless Steel

Inlet/Outlet Fittings

316L Stainless Steel NPT or Flange, Vertical

Fitting Material

316L Stainless Steel

Elastomers

Standard: Viton®

Optional: Buna N, EPR, Kalrez®

Indicator Housing

304 Stainless Steel

PERFORMANCE

Capacities

33 GPH to 450 GPM — Water
4 to 100 SCFM — Air

Scale

120 mm

Direct reading, detachable

Accuracy

± 3% of Full Scale Flow

Turndown

10:1 unless otherwise indicated

Repeatability

1 %

Max Temperature

O-ring Material	Max Temperature
EPR	225° F (107° C)
Buna-N	275° F (135° C)
Viton®	350° F (177° C)
Kalrez®	400° F (204° C)

Max Pressure

NPT Fittings — 1,500 psi

Stainless Steel Flange Class

Temp F	150#	300#	600#
200°	225 psi	600 psi	1,200 psi
300°	200 psi	540 psi	1,100 psi
400°	180 psi	515 psi	1,000 psi

Ambient Temperature

33° F to 125° F (1° C to 52° C)

OPTIONS

Alarm

Single or Dual, Inductive Slot Sensor
4-20 mA Transmitter (see page 50)

Certified Calibrations

Conform to ISA RP 16.6

Scales

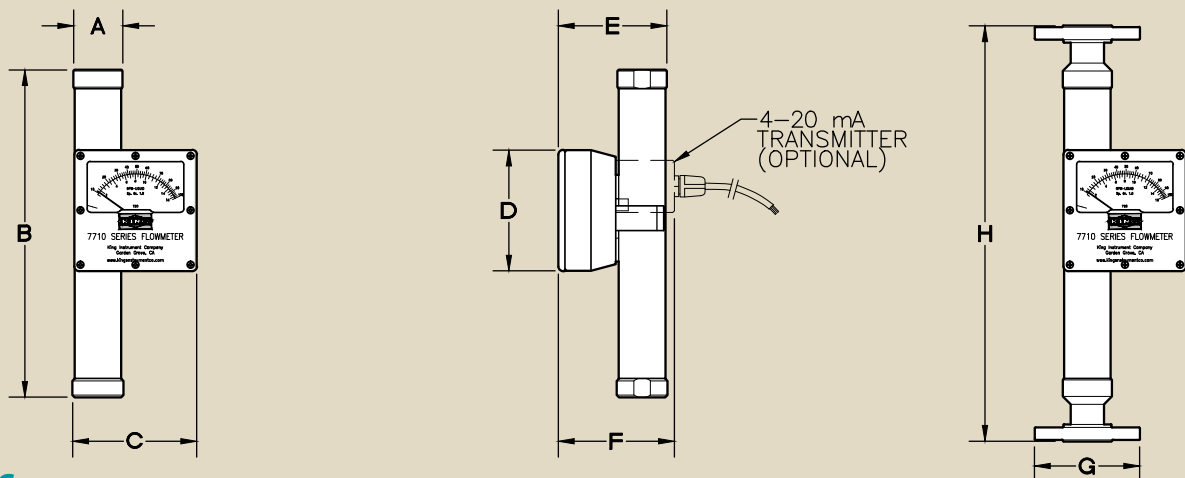
Can be produced in any volumetric unit

SPECIFICATIONS:

Order Number	Full Scale Flow GPM-Water	Dimension (Inches) FNPT Connections						150 # Flange		300 # Flange	
		A	B	C	D	E	F	G	H	G	H
706	33.0 GPM – 1/2" FNPT	1.312	11	5	5	3.375	4.625	3.50	13.125	3.75	13.625
708	1.1 GPM – 1/2" FNPT	1.312	11	5	5	3.375	4.625	3.50	13.125	3.75	13.625
710	2.0 GPM – 1/2" FNPT	1.312	11	5	5	3.375	4.625	3.50	13.125	3.75	13.625
712	4.0 GPM – 1/2" FNPT	1.312	11	5	5	3.375	4.625	3.50	13.125	3.75	13.625
714	6.0 GPM – 1/2" FNPT	1.312	11	5	5	3.375	4.625	3.50	13.125	3.75	13.625
716	5.0 GPM – 1" FNPT	1.875	13.25	5.25	5	4	4.625	4.25	16.75	4.88	17.500
718	10.0 GPM – 1" FNPT	1.875	13.25	5.25	5	4	4.625	4.25	16.75	4.88	17.500
720	16.5 GPM – 1" FNPT	1.875	13.25	5.25	5	4	4.625	4.25	16.75	4.88	17.500
722	25.0 GPM – 1" FNPT	1.875	13.25	5.25	5	4	4.625	4.25	16.75	4.88	17.500
724	35.0 GPM – 1 1/2" FNPT	2.375	13.875	5.625	5	4.50	4.625	5.00	18.625	6.12	19.250
726	60.0 GPM – 1 1/2" FNPT	2.375	13.875	5.625	5	4.50	4.625	5.00	18.625	6.12	19.250
728	76.0 GPM – 2" FNPT	3.5	13.875	6.75	5	5.625	4.625	6.00	17.156	6.50	17.750
730	100.0 GPM – 2" FNPT	3.5	13.875	6.75	5	5.625	4.625	6.00	17.156	6.50	17.750
732	120.0 GPM – 2" FNPT	3.5	13.875	6.75	5	5.625	4.625	6.00	17.156	6.50	17.750
734	152.0 GPM – 2" FNPT	3.5	13.875	6.75	5	5.625	4.625	6.00	17.156	6.50	17.750
736	150.0 GPM – 3" Flange	—	—	—	—	—	—	7.50	17.867	8.25	18.187
738	225.0 GPM – 3" Flange	—	—	—	—	—	—	7.50	17.867	8.25	18.187
740	300.0 GPM – 4" Flange	—	—	—	—	—	—	9.00	18.562	10.00	19.750
742	375.0 GPM – 4" Flange	—	—	—	—	—	—	9.00	18.562	10.00	19.750
744	450.0 GPM – 4" Flange	—	—	—	—	—	—	9.00	18.562	10.00	19.750

Order Number	Full Scale Flow SCFM - Air	FNPT	Dimension (Inches) FNPT Connections						150 # Flange		300 # Flange	
			A	B	C	D	E	F	G	H	G	H
707	4.0 SCFM	1/2"	1.312	11	5.125	5	3.375	4.625	3.50	13.125	3.75	13.625
709	8.0 SCFM	1/2"	1.312	11	5.125	5	3.375	4.625	3.50	13.125	3.75	13.625
711	16.5 SCFM	1/2"	1.312	11	5.125	5	3.375	4.625	3.50	13.125	3.75	13.625
713	24 SCFM	1/2"	1.312	11	5.125	5	3.375	4.625	3.50	13.125	3.75	13.625
715	20 SCFM	1"	1.875	13.25	5.25	5	4	4.625	4.25	16.75	4.88	17.500
717	42 SCFM	1"	1.875	13.25	5.25	5	4	4.625	4.25	16.75	4.88	17.500
719	76 SCFM	1"	1.875	13.25	5.25	5	4	4.625	4.25	16.75	4.88	17.500
721	100 SCFM	1"	1.875	13.25	5.25	5	4	4.625	4.25	16.75	4.88	17.500

DIMENSION DIAGRAM



ORDERING:

Use the following guide to determine the specific product number you require.

Meter Series	Connection Type	Float Material	O-ring Material	Optional Alarm/Transmitter	Order Number
771	FNPT Connections - 1	316L SS - 2	EPR - 1	None - 0	See Specifications Table
	150# R.F. Flanged - 2		Buna-N - 2	With Transmitter - T	
	300# R.F. Flanged - 3		Viton® - 3	One Alarm (Inductive Slot Sensor) - A	
	*600# R.F. Flanged		Kalrez® - 4	Two Alarms (Inductive Slot Sensors) - D	

*Call Factory for 600# R.F. Flange availability

Type 1, Grade 1 PVC tube meters offer chemical resistance. The dial type display makes measuring opaque fluids simple. A 4-20mA transmitter is optional.



DESCRIPTION

Metering Tube

Type 1, Grade 1 PVC

Internal Components

Hastelloy® C-276

Inlet/Outlet Fittings

NPT or Flange, Vertical

Fitting Material

Type 1, Grade 1 PVC

Elastomers

Standard: Viton®

Optional: Buna N, EPR, Kalrez®

Case and Covers

Not applicable

PERFORMANCE

Capacities

33 GPH to 450 GPM — Water

Scale

120 mm

Direct reading, detachable

Accuracy

± 3% of Full Scale Flow

Turndown

10:1

unless otherwise indicated

Repeatability

1 %

Max Temperature

130° F (54° C)

Max Pressure

150 psig, sizes 4 & 6

125 psig, sizes 8, 9, 11, 12

Ambient Temperature

33° F to 125° F (1° C to 52° C)

OPTIONS

Alarm

Single or Dual, Inductive Slot Sensor

4-20 mA Transmitter (see page 50)

Certified Calibrations

Conform to ISA RP 16.6

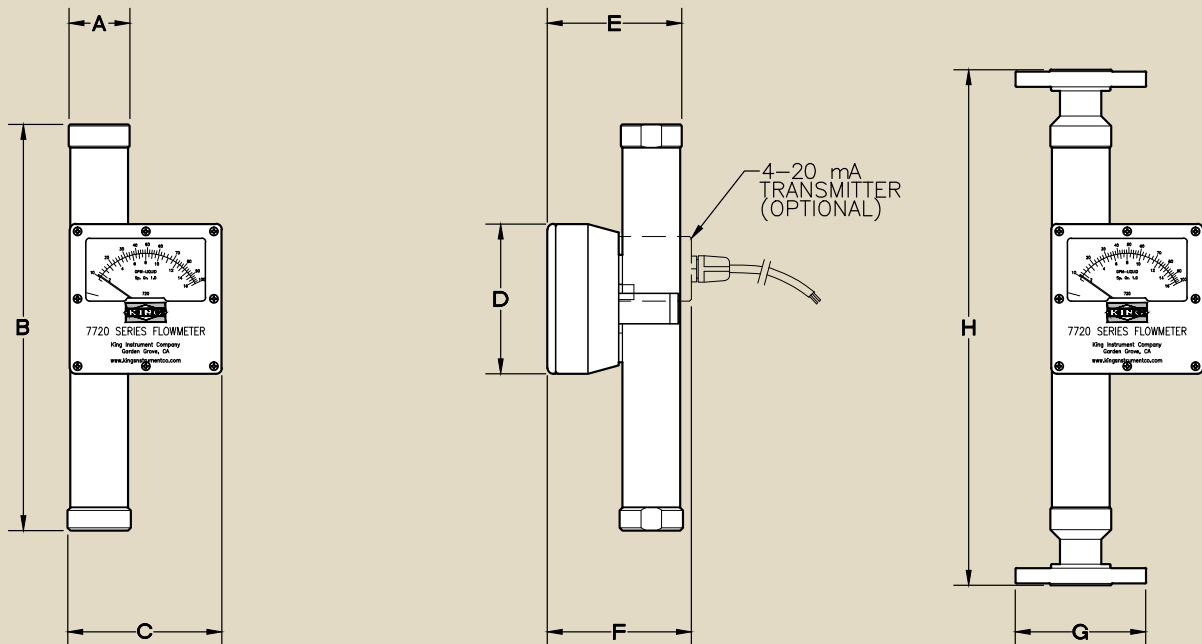
Scales

Can be produced in any volumetric unit

SPECIFICATIONS:

Order Number	Full Scale Flow GPM-Water	Dimension (Inches) FNPT Connections						150 # Flange	
		A	B	C	D	E	F	G	H
706	33.0 GPM – 1/2" FNPT	1.312	11	5.125	5	3.375	4.625	3.50	13.125
708	1.1 GPM – 1/2" FNPT	1.312	11	5.125	5	3.375	4.625	3.50	13.125
710	2.0 GPM – 1/2" FNPT	1.312	11	5.125	5	3.375	4.625	3.50	13.125
712	4.0 GPM – 1/2" FNPT	1.312	11	5.125	5	3.375	4.625	3.50	13.125
714	6.0 GPM – 1/2" FNPT	1.312	11	5.125	5	3.375	4.625	3.50	13.125
716	5.0 GPM – 1" FNPT	1.875	13.25	5.25	5	4	4.625	4.25	16.75
718	10.0 GPM – 1" FNPT	1.875	13.25	5.25	5	4	4.625	4.25	16.75
720	16.5 GPM – 1" FNPT	1.875	13.25	5.25	5	4	4.625	4.25	16.75
722	25.0 GPM – 1" FNPT	1.875	13.25	5.25	5	4	4.625	4.25	16.75
724	35.0 GPM – 1 1/2" FNPT	2.375	13.875	5.625	5	4.50	4.625	5.00	18.625
726	60.0 GPM – 1 1/2" FNPT	2.375	13.875	5.625	5	4.50	4.625	5.00	18.625
728	76.0 GPM – 2" FNPT	3.5	13.875	6.75	5	5.625	4.625	6.00	17.156
730	100.0 GPM – 2" FNPT	3.5	13.875	6.75	5	5.625	4.625	6.00	17.156
732	120.0 GPM – 2" FNPT	3.5	13.875	6.75	5	5.625	4.625	6.00	17.156
734	152.0 GPM – 2" FNPT	3.5	13.875	6.75	5	5.625	4.625	6.00	17.156
736	150.0 GPM – 3" Flange	—	—	—	—	—	—	7.50	17.867
738	225.0 GPM – 3" Flange	—	—	—	—	—	—	7.50	17.867
740	300.0 GPM – 4" Flange	—	—	—	—	—	—	9.00	18.562
742	375.0 GPM – 4" Flange	—	—	—	—	—	—	9.00	18.562
744	450.0 GPM – 4" Flange	—	—	—	—	—	—	9.00	18.562

DIMENSION DIAGRAM



ORDERING:

Use the following guide to determine the specific product number you require.

Meter Series	Connection Type	Float Material	O-ring Material	Optional Alarm/Transmitter	Order Number
772	FNPT Connections - 1	Hastelloy® C-276 - 4	EPR - 1	None - 0	See Specifications
	150# R.F. Flanged - 2		Buna-N - 2	With Transmitter - T	Table
			Viton® - 3	One Alarm (Inductive Slot Sensor) - A	
			Kalrez® - 4	Two Alarms (Inductive Slot Sensors) - D	

These 316L Stainless Steel meters feature flange connections, all welded construction (no elastomers), and an end to end length of 250mm. A float and tapered tube design provides longer, more linear scales. A 4-20mA transmitter option adds to its versatility.



DESCRIPTION

Overall Length
250 Millimeters

Metering Tube
316L Stainless Steel

Internal Components
316L Stainless Steel

Inlet/Outlet Fittings
150# or 300# Flange, Vertical

Elastomers
All Welded Construction, No O rings or Gaskets

Indicator Housing
304 Stainless Steel

Flange Material
316L Stainless Steel

Scale
120 mm Direct reading, detachable

PERFORMANCE

Capacities
33 GPH to 16.5 GPM — Water
2.2 SCFM to 76 SCFM — Air

Scale
120 mm
Direct reading, detachable

Accuracy
± 3% of Full Scale Flow

Turndown
10:1

Repeatability
1%

Max Temperature
400° F (204° C)

Temp F	150#	300#
200°	225 psi	600 psi
300°	200 psi	540 psi
400°	180 psi	515 psi

Max Pressure
Stainless Steel Flange Class

Ambient Temperature
33° F to 125° F (1° C to 52° C)

OPTIONS

Alarm
Single or Dual, Inductive Slot Sensor
4-20 mA Transmitter (see page 50)

Certified Calibrations
Conform to ISA RP 16.6

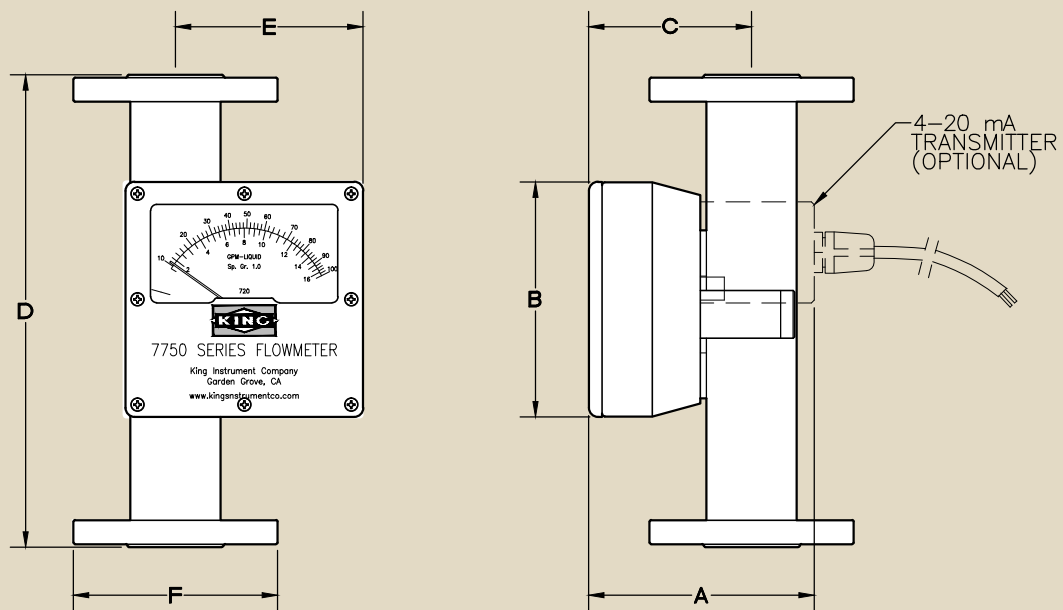
Scales
Can be produced in any volumetric unit

SPECIFICATIONS:

Order Number	Full Scale Flow GPM-Water	Meter	Dimension (Inches) FNPT Connections					150 # Flange	300 # Flange
			A	B	C	D	E	F	G
706	33.0 GPH	1/2"	5.82	4.90	2.91	9.84	3.83	3.50	3.75
708	1.1 GPM	1/2"	5.82	4.90	2.91	9.84	3.83	3.50	3.75
710	2.0 GPM	1/2"	5.82	4.90	2.91	9.84	3.83	3.50	3.75
712	4.0 GPM	1/2"	5.82	4.90	2.91	9.84	3.83	3.50	3.75
716	5.0 GPM	1"	5.82	4.90	3.25	9.84	3.95	4.25	4.90
718	10.0 GPM	1"	5.82	4.90	3.25	9.84	3.95	4.25	4.90
720	16.5 GPM	1"	5.82	4.90	3.25	9.84	3.95	4.25	4.90

Order Number	Full Scale Flow SCFM - Air	Meter	Dimension (Inches) FNPT Connections					150 # Flange	300 # Flange
			A	B	C	D	E	F	G
705	2.2 SCFM	1/2"	5.82	4.90	2.91	9.84	3.83	3.50	3.75
707	4 SCFM	1/2"	5.82	4.90	2.91	9.84	3.83	3.50	3.75
709	8 SCFM	1/2"	5.82	4.90	2.91	9.84	3.83	3.50	3.75
711	16.5 SCFM	1/2"	5.82	4.90	2.91	9.84	3.83	3.50	3.75
715	20 SCFM	1"	5.82	4.90	3.25	9.84	3.95	4.25	4.90
717	42 SCFM	1"	5.82	4.90	3.25	9.84	3.95	4.25	4.90
719	76 SCFM	1"	5.82	4.90	3.25	9.84	3.95	4.25	4.90

DIMENSION DIAGRAM



ORDERING:

Use the following guide to determine the specific product number you require.

Meter Series	Connection Type	Float Material	O-ring Material	Optional Alarm/Transmitter	Order Number
775	150# R.F. Flanged - 2 300# R.F. Flanged - 3	316L SS - 2	No O-ring - 0	None - 0 With Transmitter - T One Alarm (Inductive Slot Sensor) - A Two Alarms (Inductive Slot Sensors) - D	See Specifications Table

70 flow ranges in 7 tube sizes makes these 250 mm scale glass tube, 304 Stainless Steel case models one of our largest series. Dual port connections (both horizontal and vertical on each end) allow for a variety of installation options.



DESCRIPTION

Metering Tube

Borosilicate Kinglass

Internal Components

Standard: 316L Stainless Steel
Optional: Hastelloy C-276

Inlet/Outlet Fittings

NPT or Flange, Vertical or Horizontal
360° Fully Rotatable

Fitting Material

Standard: 316L Stainless Steel
Optional: PVC (vertical connections only)

Elastomers

Standard: Viton
Optional: Buna N, EPR, and Kalrez

Case and Covers

304 Stainless Steel Case
Polycarbonate Shield

PERFORMANCE

Capacities

0.22 to 132 GPM — Water
0.9 to 350 SCFM — Air

Scale

250mm (10")
Direct reading, detachable

Accuracy

± 2% of Full Scale Flow

Turndown

10:1 unless otherwise indicated

Repeatability

0.5 %

Max Temperature

316L SS Fittings — 200° F (93° C)
PVC Fittings — 115° F (46° C)

Max Pressure

316L SS Fittings — 300 psig, size 3 & 4
316L SS Fittings — 250 psig, size 5 & 6
316L SS Fittings — 150 psig, size 8
316L SS Fittings — 125 psig, size 9
PVC Fittings — 150 psig, size 3,4,5,6 & 8
PVC Fittings — 125 psig, size 9

Ambient Temperature

33° F to 125° F (1° C to 52° C)

OPTIONS

Alarm

Latching Reed Switch (see page 49)

Certified Calibrations

Conform to ISA RP 16.6

Scales

Can be produced in any volumetric unit

Float Types

GS, GV, LP, SL, see page 48

SPECIFICATIONS:

Order No.	Full Scale Flow GPM - Water	Alarm Opt.	Order No.	Full Scale Flow SCFM - Air	Alarm Opt.	Float Number	Float Type	Press. Drop In W.C	Tube Size	Tube Number
31W	0.220	No	31A	.9	No	3/8-LPG-01	LP	—	3G	3/8-20-G-10
32W	0.315	No	32A	1.4	No	3/8-SLG-01	SL	2	3G	3/8-20-G-10
33W	0.640	No	33A	2.7	No	3/8-SLG-02	SL	7	3G	3/8-20-G-10
41W	0.77	No	41A	3.4	No	1/2-LPG-01	LP	6	4G	1/2-32-G-10
42W	1.02	No	42A	4.4	No	1/2-LPG-02	LP	10	4G	1/2-32-G-10
43W	1.20	Yes	43A	5.0	Yes	1/2-GVG-01	GV	10	4G	1/2-32-G-10
44W	1.44	No	44A	6.1	No	1/2-GSG-01	GS	15	4G	1/2-32-G-10
45W	1.92	Yes	45A	8.5	Yes	1/2-SLG-01	SL	28	4G	1/2-32-G-10
46W	2.26	Yes	46A	10.2	Yes	1/2-SLG-02	SL	41	4G	1/2-32-G-10
51W	1.1	No	51A	4.5	No	3/4-LPG-01	LP	1	5G	3/4-28-G-10
52W	2.4	Yes	52A	10.0	Yes	3/4-GVG-01	GV	4	5G	3/4-28-G-10
53W	3.0	Yes	53A	12.0	Yes	3/4-GSG-01	GS	5	5G	3/4-28-G-10
54W	3.3	Yes	54A	13.2	Yes	3/4-GVG-02	GV	6	5G	3/4-28-G-10
55W	4.0	Yes	55A	16.4	Yes	3/4-GSG-02	GS	6	5G	3/4-28-G-10
56W	5.2	Yes	56A	22.0	Yes	3/4-SLG-01	SL	18	5G	3/4-28-G-10
61W	6.9	Yes	—	—	—	1-LPG-02	LP	4	6G	1-32-G-10
62W	9.8	No	—	—	—	1-SLG-01	SL	8	6G	1-32-G-10
63W	12.6	Yes	—	—	—	1-SLG-02	SL	13	6G	1-32-G-10
64W	6.7	No	64A	27.0	No	1-LPP-01	LP	4	6P	1-40-P-10
65W	7.4	No	65A	30.0	No	1-GVP-01	GV	6	6P	1-40-P-10
66W	8.5	No	66A	35.0	No	1-GVP-02	GV	8	6P	1-40-P-10
67W	10.4	No	67A	42.5	No	1-GSP-01	GS	10	6P	1-40-P-10
68W	11.6	No	68A	46.5	No	1-GVP-03	GV	15	6P	1-40-P-10
69W	12.0	No	69A	50.0	No	1-GSP-02	GS	14	6P	1-40-P-10
610W	15.6	No	610 A	63.0	No	1-GSP-03	GS	24	6P	1-40-P-10
611W	21.6	Yes	611A	100.0	Yes	1-SLP-01	SL	61	6P	1-40-P-10
612W	27.5	Yes	—	—	—	1-SLP-02	SL	85	6P	1-40-P-10
613W	34.5	Yes	—	—	—	1-SLP-03	SL	110	6P	1-40-P-10
84W	17.0	No	84A	70.0	No	11/2-GVP-01	GV	10	8P	11/2-32-P-10
85W	21.2	No	85A	87.0	No	11/2-GVP-02	GV	13	8P	11/2-32-P-10
86W	22.2	No	—	—	—	11/2-GSP-01	GS	14	8P	11/2-32-P-10
87W	24.8	No	87A	102.0	No	11/2-GVP-03	GV	18	8P	11/2-32-P-10
88W	28.5	No	—	—	—	11/2-GSP-02	GS	20	8P	11/2-32-P-10
89W	35.0	No	—	—	—	11/2-GSP-03	GS	24	8P	11/2-32-P-10
94W	41.5	No	94A	170.0	No	2-GVP-01	GV	20	9P	2-30-P-10
95W	58.0	No	95A	240.0	No	2-GSP-01	GS	25	9P	2-30-P-10
96W	65.0	No	96A	270.0	No	2-GSP-02	GS	30	9P	2-30-P-10
97W	85.0	No	97A	350.0	No	2-SLP-00	SL	40	9P	2-30-P-10
98W	100.0	No	—	—	—	2-SLP-01	SL	50	9P	2-30-P-10
99W	132.0	No	—	—	—	2-SLP-02	SL	60	9P	2-30-P-10

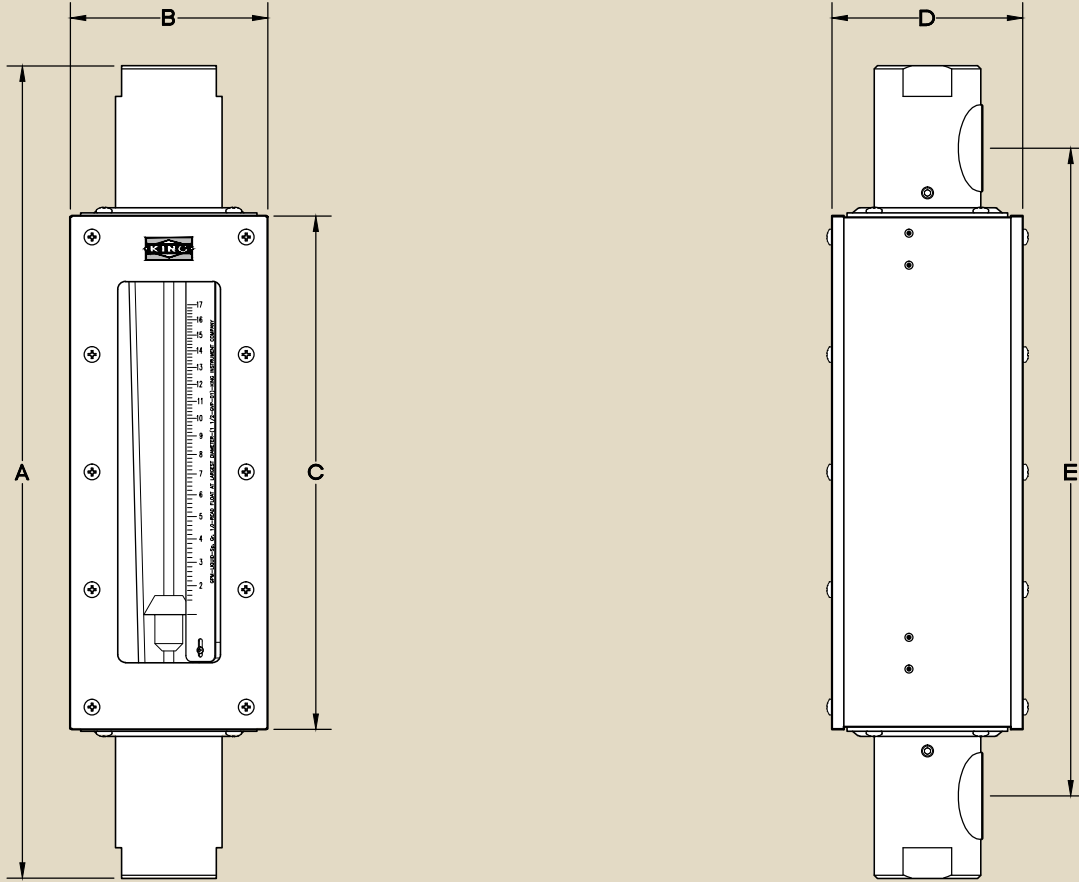
ORDERING:

Use the following guide to determine the specific product number you require.

Meter Series	Fitting Material	Float Material	O-ring Material	Order Number	Connection	Alarm Option
7 9 1	316 Stainless Steel - 2 PVC (not for air) - 3	316L SS - 2 Hastelloy 276-C - 4	EPR - 1 Buna-N - 2 Viton® - 3 Kalrez® - 4	See Specifications Table	Vertical - V Horizontal - H (plastic fittings vertical only)	No Alarm - 0 Alarm - A

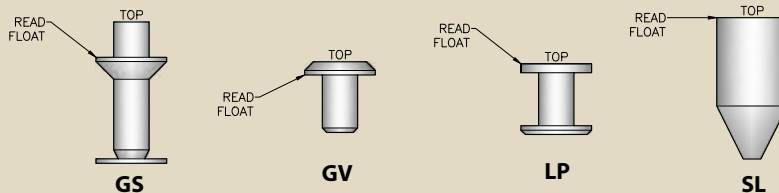
* Only use this box with order numbers 610W thru 613W. Otherwise leave blank

DIMENSION DIAGRAM



Order no.	Dimensions (Inches)					Connection Size FNPT
	A	B	C	D	E	
31W - 46W	20	3.125	14.45	3.125	17.50	1/2" (FNPT) Flange connection are also available. Contact the factory.
51W - 69W	20	4.625	14.45	4	17.50	1" (FNPT) Flange connections are also available. Contact the factory
84W - 99W	25	6.25	16.25	6.125	20.50	1 1/2" Horiz., 2" Vert (FNPT) (PVC fittings vert. only) Flange connection also available. Contact the factory
610W-613W	20	4.625	14.45	4	17.50	1" (FNPT) Flange connections are also available. Contact the factory

FLOAT TYPES



ALARM OPTIONS: 7300, 7470, 7480, 7600, 7900 SERIES



Latching Reed Switch

A latching reed switch is available for 7300, 7470, 7480, 7600 and 7900 Series flowmeters.

The switch assembly is mounted on the side of the metering tube by a dovetail or guide rod. The switch can be positioned to trip at any point on the scale.

The switch is a reed type and uses a biasing magnet to give it the latching feature. The float contains hermetically sealed magnet(s), so when the float comes in close proximity to the switch it closes and remains closed (latched) when the float moves past the switch. When the flow returns to normal and the float moves below the switch it resets itself. Multiple switches can be used.

Switch Isolator Option

Latching reed switches can be used as stand alone devices, or may be connected to a switch isolator for intrinsically safe applications. The purpose of the switch isolator is to supply electrical signals between safe and hazardous areas in either direction while limiting the amount of energy that can be transferred even under fault conditions. Switch isolators are available with 220 VAC, 110 VAC or 24 VDC supply voltage requirements, contain single pole double throw (SPDT) relays, and are DIN rail mountable. See switch isolator specifications for electrical connections and further details.

Electrical Specifications:

- Switch Type:** SPDT, Latching
- Max Contact Voltage:** 100 VDC
- Max Contact Current:** 0.2 A DC
- Max Contact Power:** 4 Watts DC
- Breakdown Voltage:** 200 VDC
- Initial Contact Resistance:** 0.15 OHMS
- Standard Pull-In Range:** 15-40 ampere turns
- Intrinsically Safe Wiring:** with switch isolator 3 conductor, 22 Awg, 2' long
 - 1) White, N.O. switch output 1
 - 2) Red, common
 - 3) Black, N.C. switch output 2

ALARM OPTIONS: 7100, 7710, 7720, 7750



Inductive Slot Sensor

All 7100 Series flowmeters may be fitted with one inductive slot sensor.

Inductive sensors are 2-wire, DC low current devices and are designed to be used with a remote barrier/switch isolator capable of powering the sensor and providing the desired switching option(s). Barrier/switch isolators are available with 220 VAC, 110 VAC or 24 VDC supply voltage requirements, contain single pole, double throw (SPDT) relays, and are DIN rail mountable. (Only 24 VDC units are actually powered by the rail.) See barrier/switch isolator specifications for electrical connections and further details.

Electrical Specifications:

Type: Inductive

Supply Voltage: 5-25V DC

(Switch Isolator)

Output: NAMUR

Output Load Current:

<=1 mA – Float Present

>= 3 mA (15 mA Max.) –

Float Absent

Switching Frequency: 5 kHz

Housing Rating: IP67

Wiring: 2 Conductor, NAMUR

Pos = Brown, Neg.= Blue

Terminals: #1=Pos., #2=Neg.

Pepperl & Fuchs Slot Sensor Approvals:

UL: General Purpose

FM: Intrinsically Safe

CSA: Intrinsically Safe

CENELEC: Intrinsically Safe

Optional 4-20 mA Transmitter:

To Convert the measured flow into a 4-20 mAdc signal, an angle of rotation transmitter is mounted to the indicator. This device is factory calibrated to ensure accuracy and should only be adjusted by King Instrument Company.

The proper and safe operation of the device requires that the specific listed below are not exceeded:

Specifications:

Power Supply: 12 to 33Vdc

Maximum Current Consumption: 40mA

Temperature Limits: -13° to 158° F (-25° to 70° C)

Output: 4 to 20 mAdc

Accuracy: <= 0.5%

Linearity: ± 0.4%

Influence From Bearing: ± 0.1%

Temperature Influence (ambient):

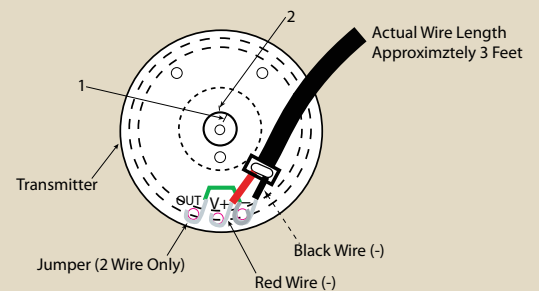
± 0.3% per degree C

Power Supply Influence: ± 0.1%

Load Resistance Influence: ± 0.1% at R max.

Electrical Connections:

Transmitter Layout Rear View



Zero: Potentiometer P1 for zero point

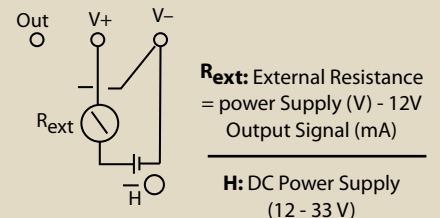
SPAN: Potentiometer P2 for measuring range and value

1: Zero point mark on transmitter housing

2: Zero point mark on transmitter shaft

S1: Switch for reversing rotation (Not Applicable)

2-Wire Connection

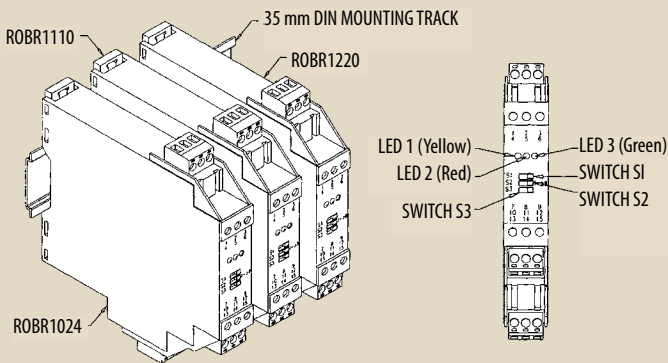


Alarm Options

BARRIER/SWITCH ISOLATOR

A barrier/switch isolator is designed to supply power to the NAMUR sensor, read the output state of the sensor and provide the desired safety and switching options based on the sensors current state. The barrier/switch isolator has three sets of connections: the supply voltage (powers the barrier), an input stage (accepts sensor inputs), and an output stage (relay or transistor switching). Supply voltages are 220VAC, 110VAC, or 24VDC. Switch isolators may receive an input from inductive sensors or dry mechanical contacts. The input circuit between the sensor or mechanical contact and the switch isolator is suitable to be installed in a hazardous area under the designation "Intrinsically Safe". Supply voltage and switching options must be specified when ordering.

SINGLE CHANNEL BARRIER/SWITCH ISOLATORS (I.S.)



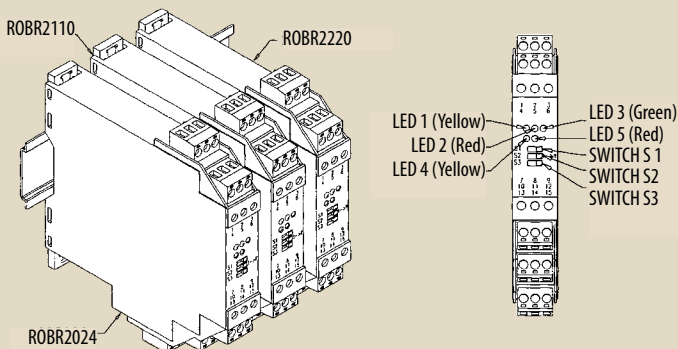
SINGLE CHANNEL OPTIONS

KING ORDER #	POWER SUPPLY	PEPPERL & FUCHS #	OUTPUT
ROBR1024	DC 20V-30V	KFD2-SR2-EX1.W	1 SPDT RELAY
ROBR1110	AC IO4-126V	KFA5-SR2-EX1.W	AC: 250V/2A DC: 40V/2A
ROBR1220	AC 207V-253V	KFA6-SR2-EX1.W	

RECOMMENDED USE

PRODUCT LINE	ALARM OPTION
7300 Series	Single Latching Reed Switch
7400 Series	Proximity or Latching Inductive Namur Ring Sensor
7430 Series	Proximity or Latching Inductive Namur Ring Sensor
7470 Series	Single Latching Reed Switch
7480 Series	Single Latching Reed Switch
7600 Series	Single Latching Reed Switch
7700 Series	Single Inductive Namur Slot Sensor
7800 Series	Single Latching Reed Switch
7900 Series	Single Latching Reed Switch

DUAL CHANNEL BARRIER/SWITCH ISOLATORS (I.S.)



DUAL CHANNEL OPTIONS

KING ORDER #	POWER SUPPLY	PEPPERL & FUCHS #	OUTPUT
ROBR2024	DC 20V-30V	KFD2-SR2-EX2.W	2 SPDT RELAY
ROBR2110	AC IO4-126V	KFA5-SR2-EX2.W	AC: 250V/2A DC: 40V/2A
ROBR2220	AC 207V-253V	KFA6-SR2-EX2.W	

RECOMMENDED USE

PRODUCT LINE	ALARM OPTION
7300 Series	Dual Latching Reed Switch
7470 Series	Dual Latching Reed Switch
7480 Series	Dual Latching Reed Switch
7600 Series	Dual Latching Reed Switch
7700 Series	Dual Inductive Namur Slot Sensor
7800 Series	Dual Latching Reed Switch
7900 Series	Dual Latching Reed Switch

WARRANTY

Meters are warranted against defects in materials and workmanship to the original user for a period of thirteen (13) months from the date of factory shipment, provided the meter is installed, operated and maintained in accordance with the Company's instructions and recommendations.

This warranty does not apply if the failure is caused or contributed to by any of the following: improper handling, improper storage, improper installation, abuse, unsuitable application of the product, lack of reasonable and necessary maintenance, use exceeding suggested pressure and temperature maximums, improper packaging for return, or repairs made or attempted to be made by other than the Company.

THE COMPANY MAKES NO WARRANTY AS TO THE FITNESS OF ITS PRODUCTS FOR SPECIFIC APPLICATIONS.

This warranty is valid for the original end-user only and does not apply to products that have been damaged or modified. This warranty is nontransferable and is limited to replacement or repair. The liability of the Company arising out of its supply of the products, or their use, shall not in any case exceed the cost of correcting defects in the products as above set forth.

NOTE: If it is determined by King Instrument Company that repair charges are required, our Quality department will contact you to receive a purchase order for the work needed. If we do not receive a purchase order from you within 30 days from our initial request, we will return the meter freight collect without repair. We are unable to store returned meters over 60 days.

DISCLAIMER

This warranty is a limited warranty and shall be in lieu of any other warranties, express or implied, including but not limited to any implied warranty or merchantability or fitness for a particular purpose. There are no other warranties which exist beyond the description or face hereof.

In no event shall the company be liable for loss of profits, indirect, consequential or incidental damages.

CAUTION

Pressure and temperature limits are based on a study of the engineering data for particular materials used in construction and on the design of individual models. This information is supplemented by destructive testing results. Pressure and temperature maximums for these meters are simultaneous.

WARNING: Meters with stainless enclosures must never be operated without shields securely in place. Meters exposed to difficult environments such as those created by certain chemicals, excessive vibration or other stress inducing factors could fail at or below the suggested maximums. NEVER operate meters above pressure and temperature maximums. Meter failure could result in damage to equipment and serious personal injury.

Always use suitable safety gear including OSHA approved eye protection when working around meters in service. We are happy to pass along chemical compatibility information that has been published by the manufacturers of raw materials used in our products; however, this information should not be construed as a recommendation made by King Instrument Company, Inc. for a specific application. Specifications are subject to change without notice.

RETURNED GOODS

Returns for shortages or inaccurate shipments must be made to King Instrument Company within ten days of receipt. A Return Materials Authorization (RMA) number is required for all returns shipped for repair, warranty evaluation, replacement, exchange or credit. Please call the sales department for an RMA number. A copy of the invoice or shipper must be included. The RMA number must be clearly marked on the shipping package. There may be a restocking charge on items that are returned when the error is not King Instrument Company's. Items over one year old are not returnable. Damaged shipments should be handled through the shipping carrier. C.O.D. return shipments will not be accepted. If there are any questions call the sales department Monday through Friday, 7:00 a.m. to 4:30 p.m., Pacific Time.

KING INSTRUMENT COMPANY

When it comes to flow...we're instrumental.



12700 Pala Drive • Garden Grove Ca, 92841 • Phone: (714) 891-0008 • Fax: (714) 891-0023

www.kinginstrumentco.com