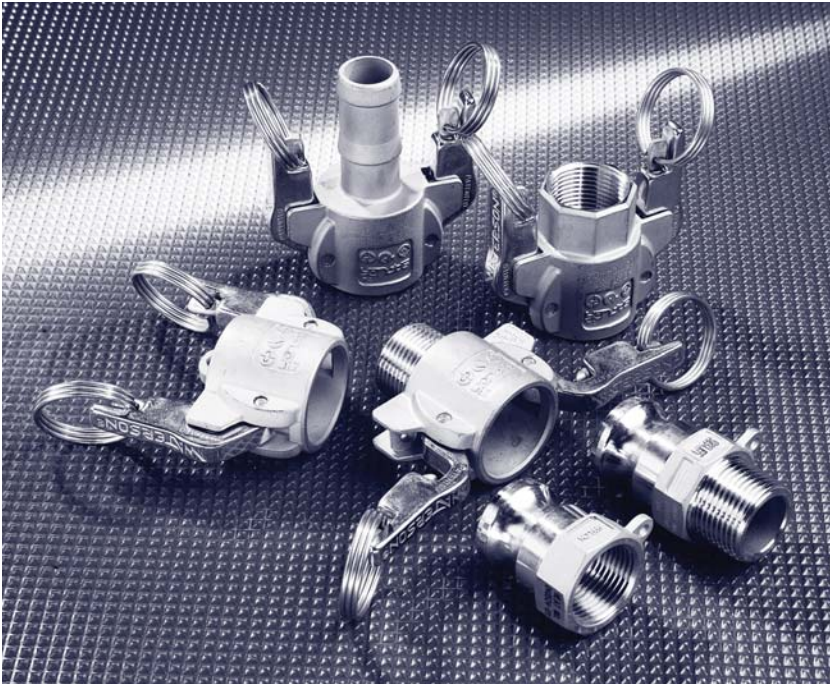


Saflok

Self-Locking Quick Coupler Range



Saflok Quick Coupler prevents accidental disconnection.

Manufactured as per DIN 2828 and A-A-59326 (MIL-27487) specification with our patented safety locking cam arm, Saflok provides the best protection for the user and environment.

SPECIAL CHARACTERISTICS

Safety is automatically provided.

Saflok improves coupling safety in the transportation of high value and high-risk liquid chemicals. It prevents accidental disconnection or disaster that might occur due to the negligence of human operation or the accidental opening due to natural abrasion of the metal locking cam face.

Locks automatically when you close the arms.

Close the Saflok quick coupler with one smooth motion - just like a regular quick coupling. It locks itself automatically and stays locked until you open it.

Virtually effortless.

The Saflok coupler's patented arms are closed and they lock themselves. You release the lock with an easy tug of the finger rings. Every time an operator opens or closes a Saflok coupler, time, effort, and safety concerns are reduced.

Less risk, less hassle.

Operators will appreciate the Saflok coupler because its self-locking action reduces risk automatically. Operators will like it because it works just like a regular quick coupler - without possible hassles or problems.

Compatible with other quick coupling - A-A-59326 (Mil-C-27487).

And it's in stock now in all popular sizes from 1/2" (DN-15) to 4" (DN-100).

A ADAPTOR



B COUPLER



C COUPLER



D COUPLER



E ADAPTOR



F ADAPTOR



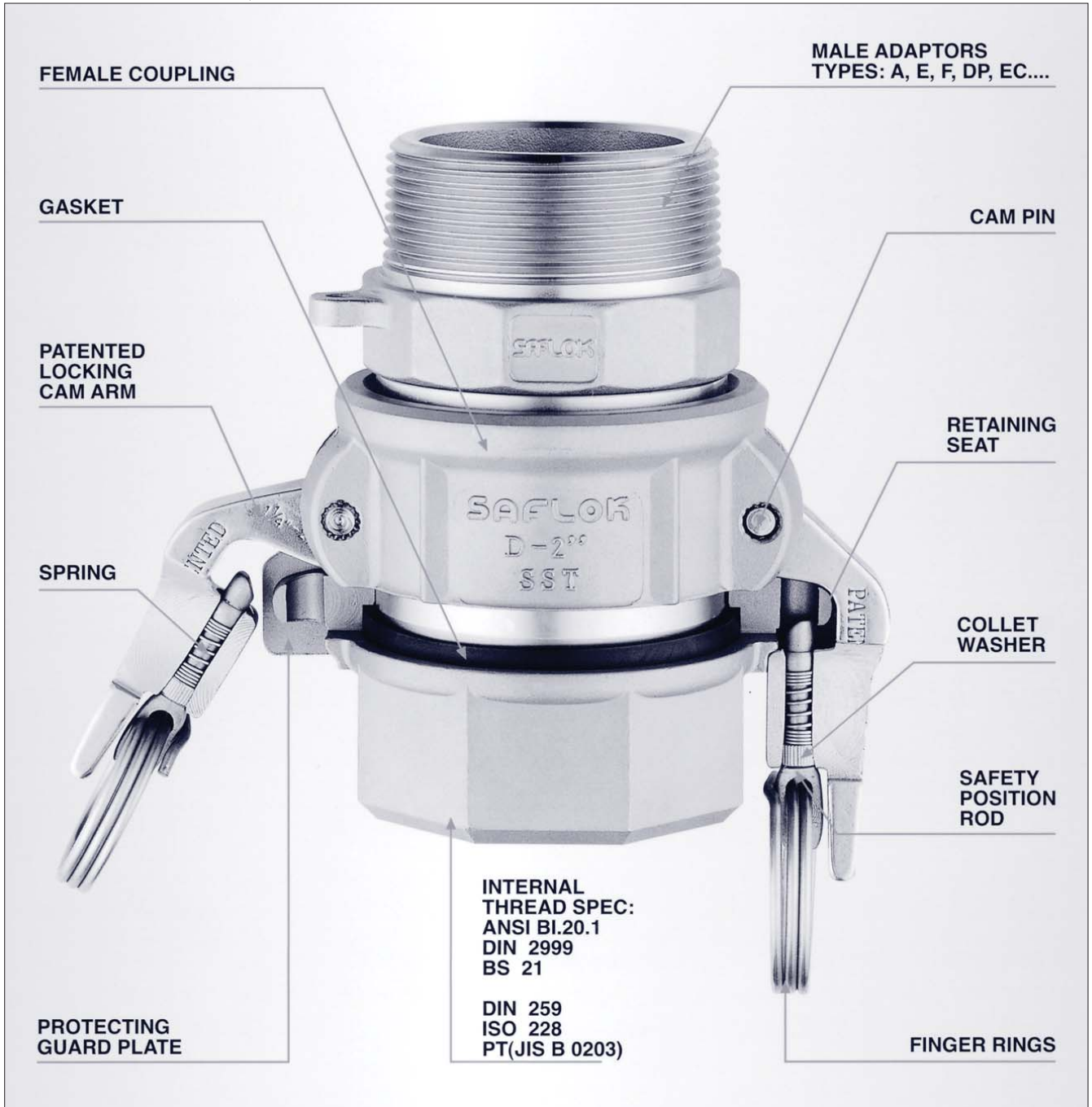
DC DUST CAP



DP DUST PLUG



Saflok Component Parts



Y-Type Strainer



- Investment cast CF8M
- Screwed cover and plug
- Removable filter
- Perforations 1mm x 2mm centres
- Sizes 15mm to 50mm

Swing Check Valves



- Horizontal and Vertical Swing type
- Investment cast CF8M
- Screwed cover
- Sizes 8mm to 50mm