

# SAMPLING EXPRESS



# An innovative step from the founders of closed sampling systems: Pre-Engineered Samplers.

Dopak Sampling Systems for liquids, gases and liquefied gases are respected in the international chemical and petrochemical industries. Dopak closed vent samplers allow you to safely take samples of toxic, dangerous and volatile substances, without any exposure to your operators or the environment.

Besides the engineered to order samplers Dopak also launches **pre-engineered** samplers. These selected samplers are pre-designed and partly pre-assembled and therefore need no further detailed engineering. The pre-engineered samplers are available in standard configurations with multiple options.

The advantages are:

- Closed vent samplers with a quick delivery
- **Pre-engineered** sampling
- Multiple options
- High quality
- Drawings available now

If you need assistance selecting the correct sampler, please contact our sales department at Bergschenhoek, Houston or your local representative.

[dopak.com](http://dopak.com)

## Contents

<b>DPM</b>	<b>System Purge Configuration c/w Mounting Plate (A3)</b> selector
<b>S23</b>	<b>With Threaded Connections c/w Mounting Plate (D1)</b> selector
<b>S32</b>	<b>Fixed volume configuration c/w Mounting Plate (E5)</b> selector
<b>S32 LG</b>	<b>System Purge Configuration (F1)</b> selector
<b>S32 G</b>	<b>System Purge Configuration (G1)</b> selector
	<b>Sample cylinder</b> selector

**Move to DOPAK® SAMPLING EXPRESS**





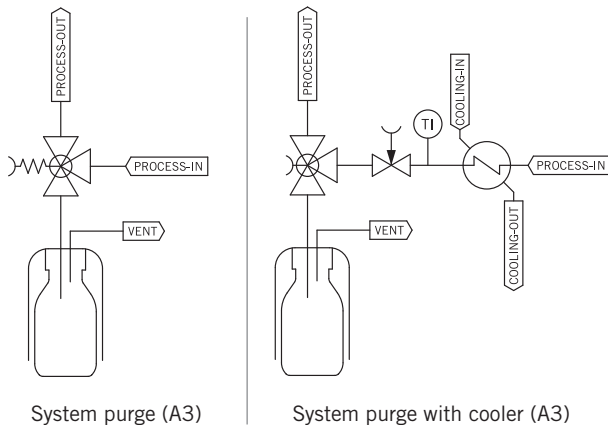
## Dopak Pre-Engineered Liquid Grab Sampler

### DPM System Purge Configuration c/w Mounting Plate (A3)

The ability to purge the sample point ensures optimal retrieval of a representative liquid sample. The DPM type sampler in system purge configuration allows the product to flow continuously through the three-way ball valve ensuring a fresh sample at recommended maximum operating pressure of 8 bar/115 psi. This liquid sampler c/w mounting plate offers one-handle operation, providing safety for the operator and zero emission.



### 1 TYPICAL P & ID



### 2 FEATURES / ADVANTAGES / PROPERTIES

- Sampling directly under process conditions
- Low pressure application (max. 8 bar/115 psi)
- Representative sampling
- Zero dead volume
- Closed sampling

### 3 SPECIFICATIONS

Part.no DPM-A3-MP

**Material** SS316, SS316L

**Sleeve type** Sleeve with bottle retaining clip.  
See option selector for the available sleeves.

**Needle assembly** Single piece VTO needle assembly or No Bottle No Flow (NBNF) with vent to outlet connection 1/4" F NPT.

Process/vent needle ID: See option selector for the available VTO's.

**Valve** Three-way ball valve with PTFE or PEEK seats, FKM or FFKM O-rings.

See option selector for the available ball valves.

**Operation** Manual, spring return or fixed return.  
See option selector for the available handles.

**Connections** 1/4" F NPT.

**Cooler** Standard single coil, process 1/4" tube, coolant 3/8" F NPT.

Complete with TI (temp. indicator) and a needle valve.

**Mounting** Wall mounting or pipe stand mounting.

### DPM System Purge Configuration c/w Mounting Plate (A3)

SLEEVE TYPE					
Code	Volume	Cap size	Bottle material	Cap material	Sleeve p/n
1	60 cc	PP25	Glass	ALU	2002318
2	100 cc	PP28	Glass	ALU	2002424
3	300 cc	PP28	Glass	ALU	2007490
4	500 cc	PP28	Glass	ALU	2002451
5	1000 cc	PP28	Glass	ALU	2002471
6	50 cc	GL32	Borosilicate glass	PBTP	2002422
7	100 cc	GL45	Borosilicate glass	PBTP	2002432
8	250 cc	GL45	Borosilicate glass	PBTP	2002442
9	500 cc	GL45	Borosilicate glass	PBTP	2002462
10	1000 cc	GL45	Borosilicate glass	PBTP	2002473
11	60 cc	PP33	Polyethylene	PP	2002413
12	100 cc	PP28	Polyethylene	PP	2008025
13	150 cc	PP28	Polyethylene	PP	2006220
14	250 cc	PP28	Polyethylene	PP	2007478
15	500 cc	PP28	Polyethylene	PP	2002450
16	1000 cc	PP28	Polyethylene	PP	2004577
17	2 oz	PP20	Boston round glass	ALU	2002411
18	8 oz	PP24	Boston round glass	ALU	2002431
19	16 oz	PP28	Boston round glass	ALU	2002454
20	32 oz	PP33	Boston round glass	ALU	2002470

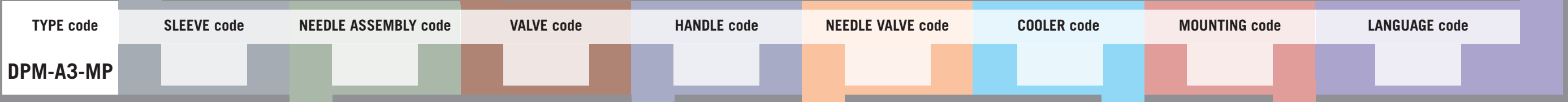


SAMPLER CODE EXAMPLE:

DPM-A3-MP | 10 | F | 1 | C | N | Y | PS | ENG

BALL VALVE TYPE							
Code	Valve	O-ring	SEAT	Ball Valve p/n	Pressure range design (valve)	Temperature range design (valve)	Operating (sampler)
1	W83	FKM	PTFE	2000315	18.3 bar @ 200°C / 265 psi @ 392°F	232°C @ 8.6 bar / 450°F @ 125 psi	Max. 8 bar / 115 psi
2	W83	FKM	PEEK	2001335	18.3 bar @ 200°C / 265 psi @ 392°F	232°C @ 8.6 bar / 450°F @ 125 psi	Max. 8 bar / 115 psi
3	W83	FFKM	PTFE	2000492	18.3 bar @ 200°C / 265 psi @ 392°F	232°C @ 8.6 bar / 450°F @ 125 psi	Max. 8 bar / 115 psi
4	W83	FFKM	PEEK	2001493	18.3 bar @ 200°C / 265 psi @ 392°F	232°C @ 8.6 bar / 450°F @ 125 psi	Max. 8 bar / 115 psi
5	H7165	-	PTFE	1468100	18.3 bar @ 165°C / 265 psi @ 330°F	177°C @ 17.0 bar / 350°F @ 247 psi	Max. 8 bar / 115 psi

LANGUAGE	
Code	Language
ENG	English
FRA	Français
ITA	Italiano
GER	Deutsch
NED	Nederlands
SPA	Español



NEEDLE ASSEMBLY TYPE		
VTO Process x Vent ID	VTO p/n	Code
1.35 x 1.35	1300900	A
2.00 x 1.35	1301000	B
3.00 x 1.35	1301200	C
4.00 x 1.35	1301400	D
6.00 x 1.35	1301500	E
NBNF 1.35x1.35 (FKM)	2017851	F
NBNF 3.00x1.35 (FKM)	2017852	G
NBNF 1.35x1.35 (FFKM)	2018546	H
NBNF 3.00x1.35 (FFKM)	2018547	I

HANDLE TYPE	
Handle	Code
Standard	A
S.R. 0-180	B
S.R. 90-0-90	C
F.R. 90-0-90	D

NEEDLE VALVE		
Code	Yes	Needle valve p/n
Y	Yes	2007048
N	No	-

COOLER		
Code	Yes	Cooler p/n
Y	Yes	2011648
N	No	-

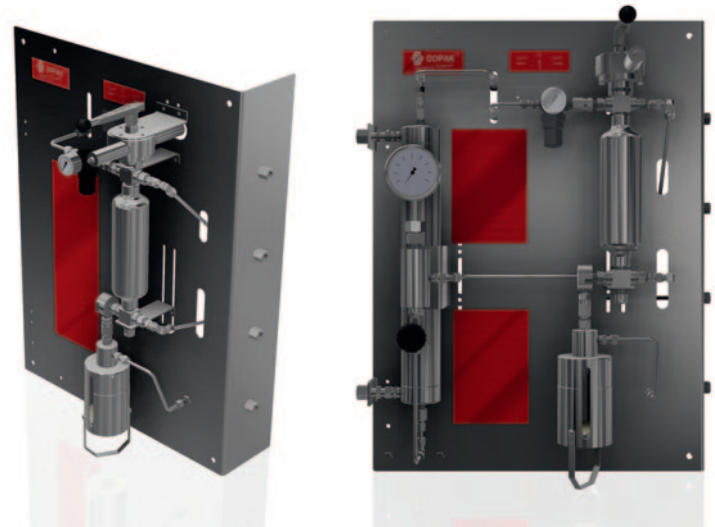
MOUNTING TYPE		
Code	Mounting	p/n
WM	Wall mounting	-
PS	Pipe stand	2016533



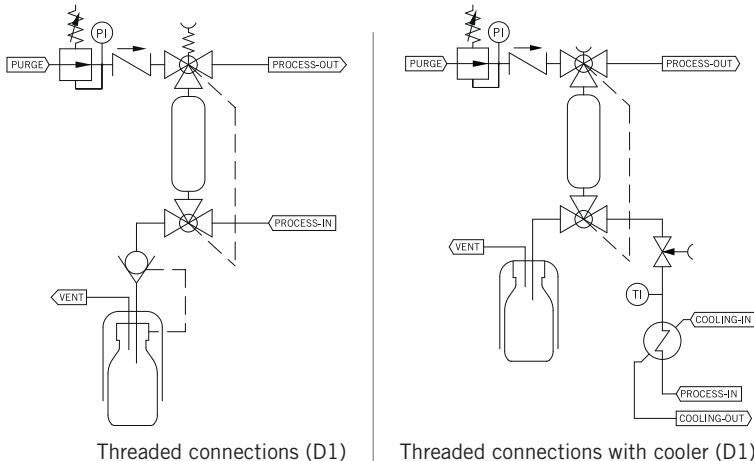
## Dopak Pre-Engineered Liquid Grab Sampler

### S23 With Threaded Connections c/w Mounting Plate (D1)

The ability to purge the sample point ensures optimal retrieval of a representative liquid sample. The S23 type sampler with threaded connections provides a system purge and needle purge in addition to a fixed sample volume. This liquid sampler c/w mounting plate offers one-handle operation by multiple valves, allowing for sampling independent of the process conditions. These features provide sample accuracy, safety for the operator and zero emission.



### 1 TYPICAL P & ID



### 2 FEATURES / ADVANTAGES / PROPERTIES

- Sampling independent of process conditions
- High pressure and vacuum applications
- Representative sampling
- Zero dead volume
- Closed sampling
- One handle operation of two valves
- Fixed volume sampling
- Purging of the sampler

### 3 SPECIFICATIONS

Part.no S23-D1-MP

**Material** SS316, SS316L

**Sleeve type** Sleeve with bottle retaining clip.  
See option selector for the available sleeves.

**Needle assembly** Single piece VTO needle assembly or No Bottle No Flow (NBNF) with vent to outlet connection 1/4" F NPT.

Process/vent needle ID: See option selector for the available VTO's.

**Valve** Three-way ball valve with PTFE or PEEK seats, FKM or FFKM O-rings.

See option selector for the available ball valves.

**Operation** Manual, spring return or fixed return.  
See option selector for the available handles.

**Connections** 1/4" F NPT, regulator, gauge and check valve included.

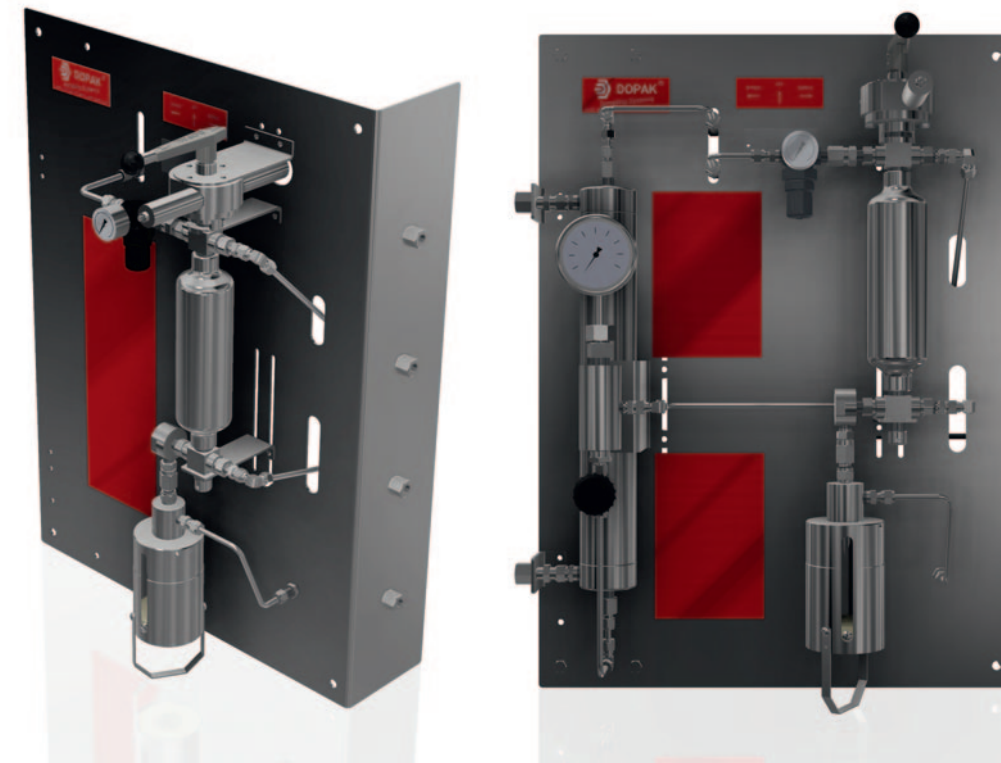
**Cooler** Standard single coil, process 1/4" tube, coolant 3/8" F NPT.

Complete with TI (temp. indicator) and a needle valve.

**Mounting** Wall mounting or pipe stand mounting.

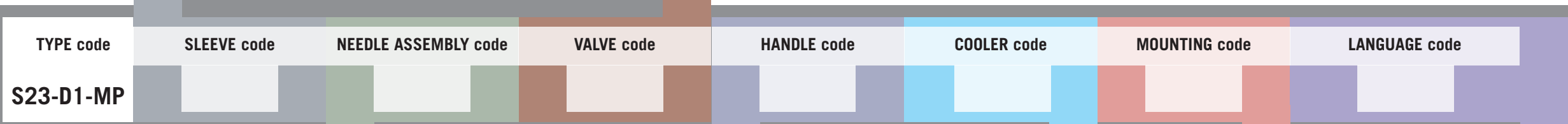
## S23 With Threaded Connections c/w Mounting Plate (D1)

SLEEVE TYPE						
Code	Volume	Cap size	Bottle material	Cap material	Sleeve p/n	Sample chamber
1	60 cc	PP25	Glass	ALU	2002318	50 cc
2	100 cc	PP28	Glass	ALU	2002424	90 cc
3	300 cc	PP28	Glass	ALU	2007490	250 cc
4	500 cc	PP28	Glass	ALU	2002451	400 cc
5	1000 cc	PP28	Glass	ALU	2002471	900 cc
6	50 cc	GL32	Borosilicate glass	PBTP	2002422	50 cc
7	100 cc	GL45	Borosilicate glass	PBTP	2002432	90 cc
8	250 cc	GL45	Borosilicate glass	PBTP	2002442	200 cc
9	500 cc	GL45	Borosilicate glass	PBTP	2002462	400 cc
10	1000 cc	GL45	Borosilicate glass	PBTP	2002473	900 cc
11	60 cc	PP33	Polyethylene	PP	2002413	50 cc
12	100 cc	PP28	Polyethylene	PP	2008025	90 cc
13	150 cc	PP28	Polyethylene	PP	2006220	130 cc
14	250 cc	PP28	Polyethylene	PP	2007478	200 cc
15	500 cc	PP28	Polyethylene	PP	2002450	400 cc
16	1000 cc	PP28	Polyethylene	PP	2004577	900 cc
17	2 oz	PP20	Boston round glass	ALU	2002411	50 cc
18	8 oz	PP24	Boston round glass	ALU	2002431	200 cc
19	16 oz	PP28	Boston round glass	ALU	2002454	400 cc
20	32 oz	PP33	Boston round glass	ALU	2002470	900 cc



SAMPLER CODE EXAMPLE:  
**S23-D1-MP | 13 | A | 1 | B | Y | PS | ITA**

BALL VALVE TYPE							
Code	Valve	O-ring	SEAT	Ball valve p/n	Check valve p/n	Pressure range design (valve)	Temperature range design (valve)
1	W83	FKM	PTFE	1405300	2000699	100 bar @ 40°C / 1450 psi @ 104°F	177°C @ 25 bar / 350°F @ 360 psi
2	W83	FKM	PEEK	2000515	2000699	100 bar @ 177°C / 1450 psi @ 350°F	177°C @ 100 bar / 350°F @ 1450 psi
3	W83	FFKM	PTFE	2000512	2003335	100 bar @ 40°C / 1450 psi @ 104°F	232°C @ 8.6 bar / 450°F @ 125 psi
4	W83	FFKM	PEEK	2011491	2003335	100 bar @ 202°C / 1450 psi @ 395°F	232°C @ 34 bar / 450°F @ 495 psi



NEEDLE ASSEMBLY TYPE		
VTO Process x Vent ID	VTO p/n	Code
1.35 x 1.35	1300900	A
2.00 x 1.35	1301000	B
3.00 x 1.35	1301200	C
4.00 x 1.35	1301400	D
6.00 x 1.35	1301500	E
NBNF 1.35x1.35 (FKM)	2017851	F
NBNF 3.00x1.35 (FKM)	2017852	G
NBNF 1.35x1.35 (FFKM)	2018546	H
NBNF 3.00x1.35 (FFKM)	2018547	I

HANDLE TYPE	
Handle	Code
Standard	A
S.R. 0-180	B
S.R. 90-0-90	C
F.R. 90-0-90	D

MOUNTING TYPE		
Code		p/n
WM	Wall mounting	-
PS	Pipe stand	2016533

LANGUAGE	
Code	Language
ENG	English
FRA	Français
ITA	Italiano
GER	Deutsch
NED	Nederlands
SPA	Español

COOLER		
Code	Yes	Cooler p/n
Y	Yes	2011648
N	No	-

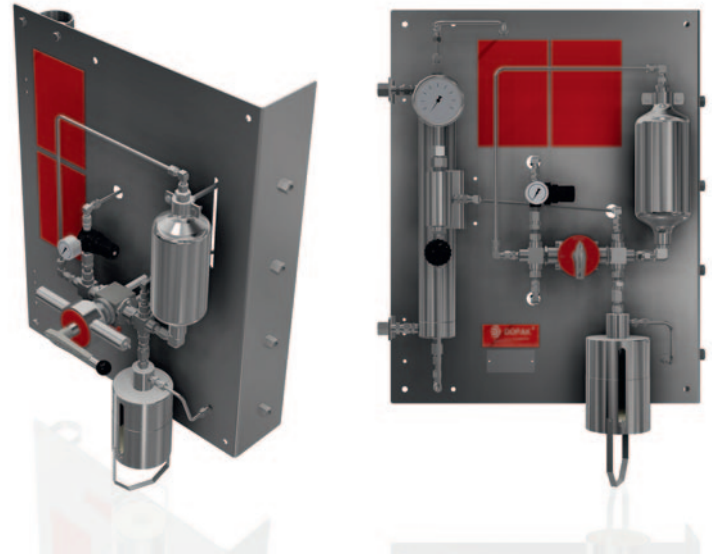




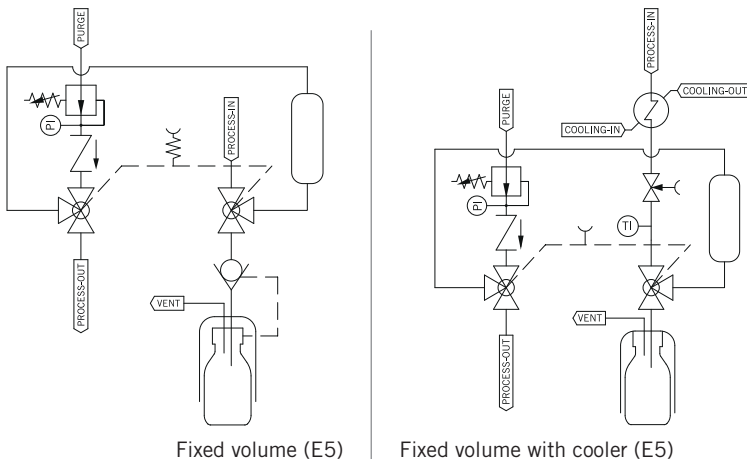
## Dopak Pre-Engineered Liquid Grab Sampler

### S32 Fixed volume configuration c/w Mounting Plate (E5)

The ability to purge the sample point ensures optimal retrieval of a representative liquid sample. The S32 type sampler provides a system purge and needle purge in addition to a fixed sample. This liquid sampler c/w mounting plate offers one handle operation by multiple valves, allowing for sampling independent of the process conditions with accuracy, safety for the operator and zero emission.



### 1 TYPICAL P & ID



### 2 FEATURES / ADVANTAGES / PROPERTIES

- Sampling independent of process conditions
- High pressure and vacuum applications
- Representative sampling
- Zero dead volume
- Closed sampling
- One handle operation of two valves by means of a gearbox
- Fixed volume sampling
- Purging of the sampler

### 3 SPECIFICATIONS

Part.no S32-E5-MP

**Material** SS316, SS316L

**Sleeve type** Sleeve with bottle retaining clip.  
See option selector for the available sleeves.

**Needle assembly** Single piece VTO needle assembly or No Bottle No Flow (NBNF) with vent to outlet connection 1/4" F NPT.

Process/vent needle ID: See option selector for the available VTO's.

**Valve** Three-way ball valve with PTFE or PEEK seats, FKM or FFKM O-rings.

See option selector for the available ball valves.

**Operation** Manual, spring return or fixed return.  
See option selector for the available handles.

**Connections** 1/4" F NPT, regulator, gauge and check valve included.

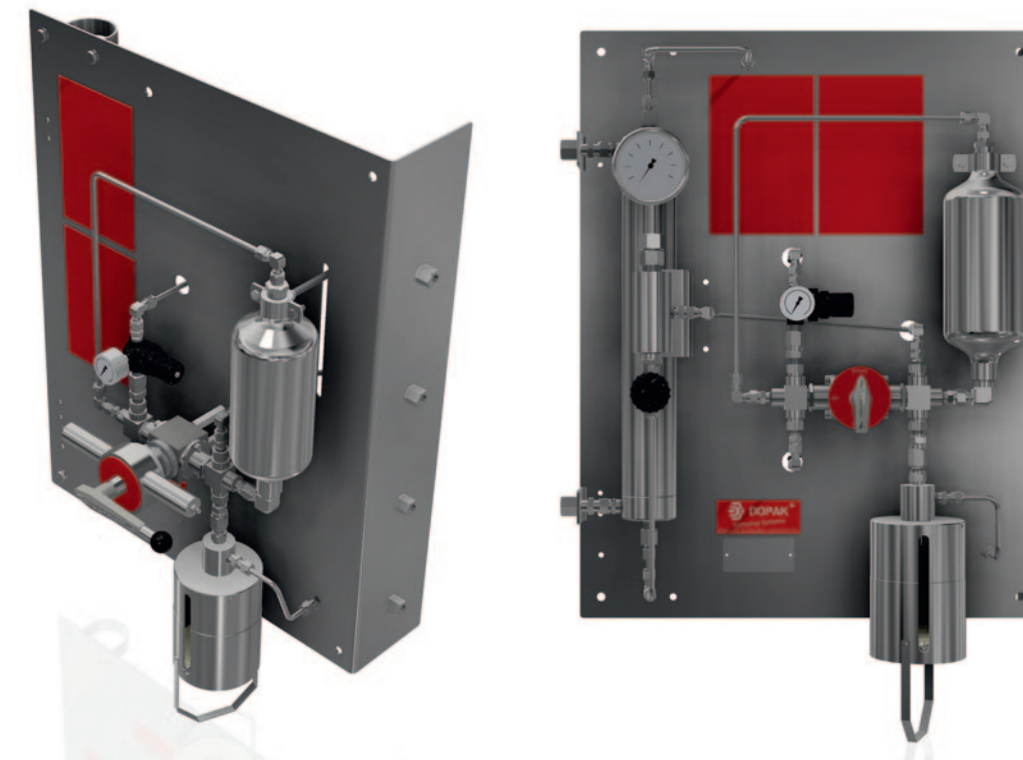
**Cooler** Standard single coil, process 1/4" tube, coolant 3/8" F NPT.

Complete with TI (temp. indicator) and a needle valve.

**Mounting** Wall mounting or pipe stand mounting.

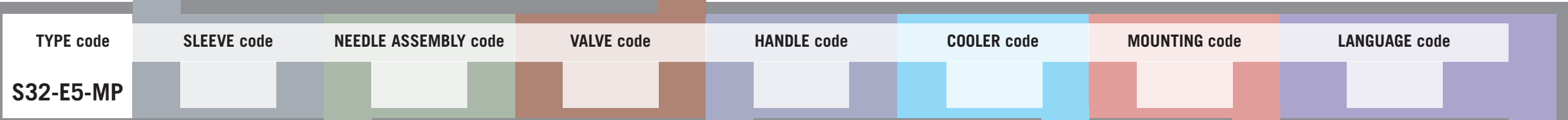
## S32 Fixed volume configuration c/w Mounting Plate (E5)

SLEEVE TYPE						
Code	Volume	Cap size	Bottle material	Cap material	Sleeve p/n	Sample chamber
1	60 cc	PP25	Glass	ALU	2002318	50 cc
2	100 cc	PP28	Glass	ALU	2002424	90 cc
3	300 cc	PP28	Glass	ALU	2007490	250 cc
4	500 cc	PP28	Glass	ALU	2002451	400 cc
5	1000 cc	PP28	Glass	ALU	2002471	900 cc
6	50 cc	GL32	Borosilicate glass	PBTP	2002422	50 cc
7	100 cc	GL45	Borosilicate glass	PBTP	2002432	90 cc
8	250 cc	GL45	Borosilicate glass	PBTP	2002442	200 cc
9	500 cc	GL45	Borosilicate glass	PBTP	2002462	400 cc
10	1000 cc	GL45	Borosilicate glass	PBTP	2002473	900 cc
11	60 cc	PP33	Polyethylene	PP	2002413	50 cc
12	100 cc	PP28	Polyethylene	PP	2008025	90 cc
13	150 cc	PP28	Polyethylene	PP	2006220	130 cc
14	250 cc	PP28	Polyethylene	PP	2007478	200 cc
15	500 cc	PP28	Polyethylene	PP	2002450	400 cc
16	1000 cc	PP28	Polyethylene	PP	2004577	900 cc
17	2 oz	PP20	Boston round glass	ALU	2002411	50 cc
18	8 oz	PP24	Boston round glass	ALU	2002431	200 cc
19	16 oz	PP28	Boston round glass	ALU	2002454	400 cc
20	32 oz	PP33	Boston round glass	ALU	2002470	900 cc



SAMPLER CODE EXAMPLE:  
**S32-E5-MP | 6 | D | 1 | B | Y | PS | ENG**

BALL VALVE TYPE						
Code	Valve	O-ring	SEAT	Ball valve p/n	Pressure range design (valve)	Temperature range design (valve)
1	W83	FKM	PTFE	2000315	100 bar @ 40°C / 1450 psi @ 104°F	177°C @ 25 bar / 350°F @ 360 psi
2	W83	FKM	PEEK	2001335	100 bar @ 177°C / 1450 psi @ 350°F	177°C @ 100 bar / 350°F @ 1450 psi
3	W83	FFKM	PTFE	2000492	100 bar @ 40°C / 1450 psi @ 104°F	232°C @ 8.6 bar / 450°F @ 125 psi
4	W83	FFKM	PEEK	2001493	100 bar @ 202°C / 1450 psi @ 395°F	232°C @ 34 bar / 450°F @ 495 psi
5	H7165	-	PTFE	1468100	34 bar @ 67°C / 493 psi @ 153°F	177°C @ 17 bar / 350°F @ 247 psi



NEEDLE ASSEMBLY TYPE		
VTO Process x Vent ID	VTO p/n	Code
1.35 x 1.35	1300900	A
2.00 x 1.35	1301000	B
3.00 x 1.35	1301200	C
4.00 x 1.35	1301400	D
6.00 x 1.35	1301500	E
NBNF 1.35x1.35 (FKM)	2017851	F
NBNF 3.00x1.35 (FKM)	2017852	G
NBNF 1.35x1.35 (FFKM)	2018546	H
NBNF 3.00x1.35 (FFKM)	2018547	I

HANDLE TYPE	
Handle	Code
Standard	A
S.R. 0-180	B
S.R. 90-0-90	C
F.R. 90-0-90	D

MOUNTING TYPE		
Code		p/n
WM	Wall mounting	-
PS	Pipe stand	2016533

COOLER		
Code	Yes	Cooler p/n
Y	Yes	2011648
N	No	-

LANGUAGE	
Code	Language
ENG	English
FRA	Français
ITA	Italiano
GER	Deutsch
NED	Nederlands
SPA	Español





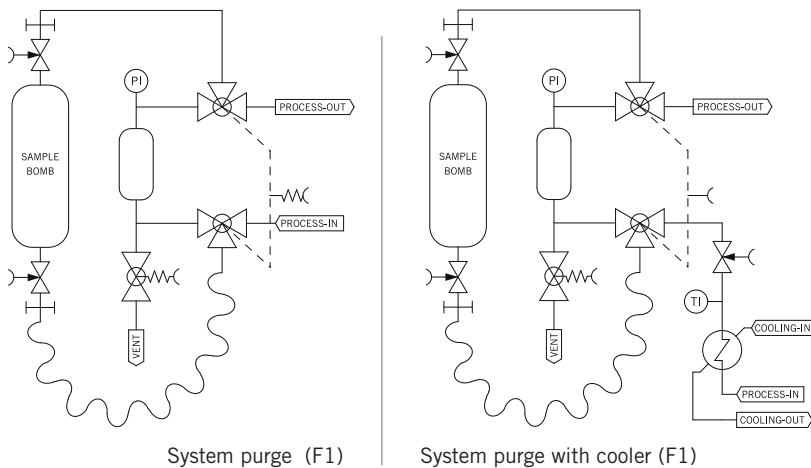
## Dopak Pre-Engineered Liquefied Gas Grab Sampler

### S32-LG System Purge Configuration (F1)

The ability to purge the sample point ensures optimal retrieval of a representative liquefied gas sample. The S32-LG type sampler in system purge configuration provides sampling in a sample cylinder with a predefined filling rate. The predefined filling rate is achieved by using an expansion chamber. This liquefied gas sampler offers one-handle operation by multiple valves. These features provide sample accuracy, safety for the operator and the possibility of zero emission. This sampler type is suitable for liquefied gas and liquid with high vapor phase.



### 1 TYPICAL P & ID



### 2 FEATURES / ADVANTAGES / PROPERTIES

- Sampling in a cylinder with predefined filling rate
- Representative sampling
- Zero dead volume
- Closed sampling
- One-handle operation of two valves by means of a gearbox
- Purging of the sampler
- No direct connection between vent line and process lines
- Depressurisation of quick connect couplings
- No outage tube needed onto the sample cylinder

### 3 SPECIFICATIONS

Part.no S32-F1-MP

**Material** SS316, SS316L

**Cylinder type** DOT or TPED standards. Quick connect type stem and body, FKM or FFKM O-rings. Sample cylinder needs to be ordered separately. See option selector 'Sample Cylinder' for the available cylinders and quick connect couplings.

**Expansion chamber** 20% of sample cylinder volume.

**Valves** Three-way ball valves with PTFE or PEEK seats, FKM or FFKM O-rings.

See option selector for the available ball valves.

**Operation** Manual, spring return or fixed return.

See option selector for the available handles.

**Connections** 1/4" F NPT.

**Pressure gauge** Included. See option selector for the available pressure gauges.

**Cooler** Standard single coil, process 1/4" tube, coolant 3/8" F NPT.

Complete with TI (temp. indicator) and a needle valve.

**Mounting** Wall mounting or pipe stand mounting.

### S32-LG System purge configuration (F1)

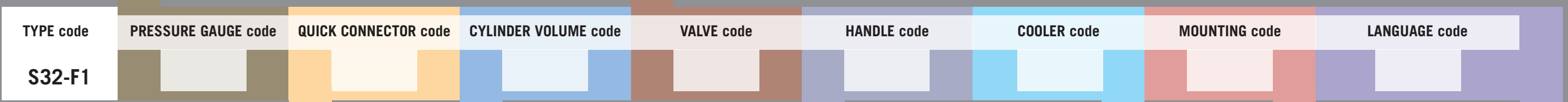


PRESSURE GAUGE TYPE		
Code	Range	Pressure gaug p/n
1	0-1 bar / 0-15 psi	2004306
1.6	0-1.6 bar / 0-23 psi	2006582
2.5	0-2.5 bar / 0-40 psi	2001668
4	0-4 bar / 0-60 psi	2002853
6	0-6 bar / 0-60 psi	2002600
10	0-10 bar / 0-90 psi	2002598
16	0-16 bar / 0-230 psi	2000982
25	0-25 bar / 0-400 psi	2001899
40	0-40 bar / 0-600 psi	2002601
60	0-60 bar / 0-900 psi	2000970
70	0-70 bar / 0-1000 psi	2000334
100	0-100 bar / 0-1450 psi	2000983



SAMPLER CODE EXAMPLE:  
**S32-F1 | 100 | K | 500 | 3 | C | N | PS | ENG**

BALL VALVE TYPE						
Code	Valve	O-ring	SEAT	Ball valve p/n	Pressure range design (valve)	Temperature range design (valve)
1	W83	FKM	PTFE	2000315	100 bar @ 40°C / 1450 psi @ 104°F	177°C @ 25 bar / 350°F @ 360 psi
2	W83	FKM	PEEK	2001335	100 bar @ 177°C / 1450 psi @ 350°F	177°C @ 100 bar / 350°F @ 1450 psi
3	W83	FFKM	PTFE	2000492	100 bar @ 40°C / 1450 psi @ 104°F	232°C @ 8.6 bar / 450°F @ 125 psi
4	W83	FFKM	PEEK	2001493	100 bar @ 202°C / 1450 psi @ 395°F	232°C @ 34 bar / 450°F @ 495 psi
5	H7165	-	PTFE	1468100	34 bar @ 67°C / 493 psi @ 153°F	177°C @ 17 bar / 350°F @ 247 psi



QUICK CONNECTOR TYPE			
O-Ring	Stem p/n	Body p/n	Code
FKM	1790800	1601800	V
FFKM	2000730	2003627	K

CYLINDER VOLUME			
Code	Cylinder	Chamber	Exp. chamber p/n
150	150 cc	30 cc	1780000
300	300 cc	60 cc	1726100
500	500 cc	100 cc	1725600
1000	1000 cc	200 cc	1727700

HANDLE TYPE	
Code	Handle
A	Standard
B	S.R. 0-180
C	S.R. 90-0-90
D	F.R. 90-0-90

MOUNTING TYPE		
Code		p/n
WM	Wall mounting	-
PS	Pipe stand	2016533

COOLER		
Code	Yes	Cooler p/n
Y	Yes	2011648
N	No	-

LANGUAGE	
Code	Language
ENG	English
FRA	Français
ITA	Italiano
GER	Deutsch
NED	Nederlands
SPA	Español



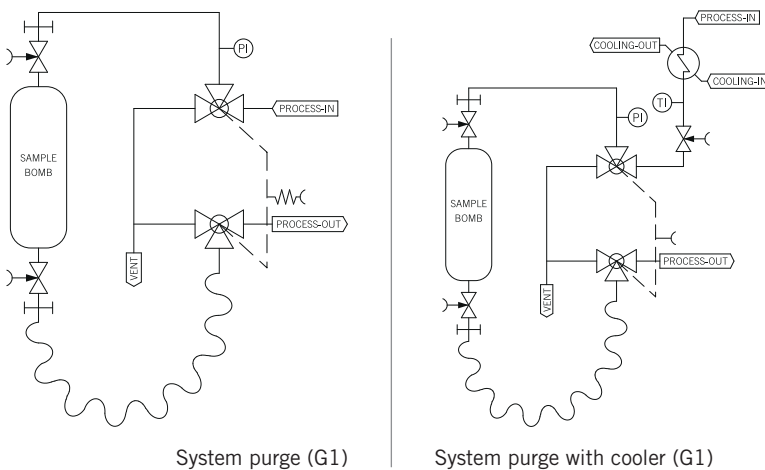
## Dopak Pre-Engineered Gas Grab Sampler

### S32-G System Purge Configuration (G1)

The ability to purge the sample point ensures optimal retrieval of a representative gas sample. The S32-G type sampler in system purge configuration provides a system purge in addition to sampling in a sample cylinder. The sampler offers the ability to depressurise the quick connect couplings before disconnecting the sample cylinder. This gas sampler provides one-handle operation by multiple valves. These features ensure sample accuracy, safety for the operator and zero emission.



### 1 TYPICAL P & ID



### 2 FEATURES / ADVANTAGES / PROPERTIES

- Sampling in a cylinder at process pressure
- Representative sampling
- Zero dead volume
- Closed sampling
- One handle operation of two valves by means of a gearbox
- Purging of the sampler
- No direct connection between vent line and process lines
- Depressurisation of quick connect couplings

### 3 SPECIFICATIONS

Part.no S32-G1-MP

**Material** SS316, SS316L

**Cylinder type** DOT or TPED standards. Quick connect type stem and body, FKM or FFKM O-rings. Sample cylinder needs to be ordered separately. See option selector 'Sample Cylinder' for the available cylinders and quick connect couplings.

**Valves** Three-way ball valves with PTFE or PEEK seats, FKM or FFKM O-rings. See option selector for the available ball valves.

**Operation** Manual, spring return or fixed return. See option selector for the available handles.

**Connections** 1/4" F NPT.

**Pressure gauge** Included. See option selector for the available pressure gauges.

**Cooler** Standard single coil, process 1/4" tube, coolant 3/8" F NPT.

Complete with TI (temp. indicator) and a needle valve.

**Mounting** Wall mounting or pipe stand mounting.



### S32-G System purge configuration (G1)



PRESSURE GAUGE TYPE		
Code	Range	Pressure gauge p/n
1	0-1 bar / 0-15 psi	2004306
1.6	0-1.6 bar / 0-23 psi	2006582
2.5	0-2.5 bar / 0-40 psi	2001668
4	0-4 bar / 0-60 psi	2002853
6	0-6 bar / 0-60 psi	2002600
10	0-10 bar / 0-90 psi	2002598
16	0-16 bar / 0-230 psi	2000982
25	0-25 bar / 0-400 psi	2001899
40	0-40 bar / 0-600 psi	2002601
60	0-60 bar / 0-900 psi	2000970
70	0-70 bar / 0-1000 psi	2000334
100	0-100 bar / 0-1450 psi	2000983



SAMPLER CODE EXAMPLE:  
**S32-G1 | 40 | V | 150 | 2 | C | N | PS | ENG**

BALL VALVE TYPE						
Code	Valve	O-ring	SEAT	Ball valve p/n	Pressure range design (valve)	Temperature range design (valve)
1	W83	FKM	PTFE	2000315	100 bar @ 40°C / 1450 psi @ 104°F	177°C @ 25 bar / 350°F @ 360 psi
2	W83	FKM	PEEK	2001335	100 bar @ 177°C / 1450 psi @ 350°F	177°C @ 100 bar / 350°F @ 1450 psi
3	W83	FFKM	PTFE	2000492	100 bar @ 40°C / 1450 psi @ 104°F	232°C @ 8.6 bar / 450°F @ 125 psi
4	W83	FFKM	PEEK	2001493	100 bar @ 202°C / 1450 psi @ 395°F	232°C @ 34 bar / 450°F @ 495 psi
5	H7165	-	PTFE	1468100	34 bar @ 67°C / 493 psi @ 153°F	177°C @ 17 bar / 350°F @ 247 psi



QUICK CONNECTOR TYPE			
O-Ring	Stem p/n	Body p/n	Code
FKM	1790800	1601800	V
FFKM	2000730	2003627	K

CYLINDER VOLUME	
Cylinder	Code
150 cc	150
300 cc	300
500 cc	500
1000 cc	1000

HANDLE TYPE	
Code	Handle
A	Standard
B	S.R. 0-180
C	S.R. 90-0-90
D	F.R. 90-0-90

COOLER		
Code	Yes/No	Cooler p/n
Y	Yes	2011648
N	No	-

MOUNTING TYPE		
Code	Mounting Type	p/n
WM	Wall mounting	-
PS	Pipe stand	2016533

LANGUAGE	
Code	Language
ENG	English
FRA	Français
ITA	Italiano
GER	Deutsch
NED	Nederlands
SPA	Español



## Dopak Pre-Engineered Sample Cylinder

An extensive range of sample cylinders is available, suited for sample collection, safe transport and chromatographic lab analysis. The sample cylinders are available in different volumes. Cylinders are used for samples with high vapour phase liquids, gas and liquefied gas.

Standard sample cylinders are equipped with a needle valve on each side of the cylinder, a set of quick connect couplings and a carrying handle. Depending on which type of sampling system the cylinders are used, an outage tube can be fitted onto the sample cylinder.

### 1 SPECIFICATIONS

Part.no SAM-CYL

**Body material** SS316 (L)

**Cylinder type** DOT or TPED\* standards. Quick connect type stem and body, FKM or FFKM O-rings. See option selector "Sample Cylinder" for the available cylinders and quick connect couplings.

**Valves** Straight needle valves with regulating stem tip. Material: SS316.

**Outage tube** 80% filling rate.

**Standard volumes** See option selector "Sample Cylinder".

\*: TPED certified cylinder only. For transport of dangerous goods by road, rail and inland waterway according to European Directive 2010/35/EU: Cylinder shall also be equipped with TPED certified needle valves. Consult factory for more information.



CYLINDER TYPE		
Code	Sample cylinder	Sample cylinder p/n
A	150 cc TPED*	2005925
B	150 cc DOT	1732100
C	300 cc TPED*	2005926
D	300 cc DOT	1727800
E	500 cc TPED*	2005927
F	500 cc DOT	1731300
G	1000 cc TPED*	2012240
H	1000 cc DOT	2022706



Cylinder CODE EXAMPLE:  
SAM-CYL | D | Y | 1

TYPE code      CYLINDER code      OUTAGE TUBE code      QUICK CONNECTOR code  
**SAM-CYL**

OUTAGE TUBE code	
Code	
Y	Yes
N	No

### QUICK CONNECTOR TYPE

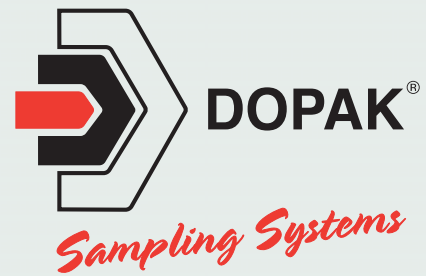
Pressure range design Quick Connector	Temperature range design Quick Connector	Stem p/n	Body p/n	O-Ring	Code
100 bar @ 144°C / 1450 psi @ 291°F	204°C @ 34 bar / 399°F @ 493 psi	1790800	1601800	FKM	1
100 bar @ 144°C / 1450 psi @ 291°F	232°C @ 22 bar / 450°F @ 319 psi	2000730	2003627	FFKM	2



\*) TPED certified cylinder only. For transport of dangerous goods by road, rail and inland waterway according to European Directive 2010/35/EU: Cylinder shall also be equipped with TPED certified needle valves. Consult factory for more information.



Move to **DOPAK®** SAMPLING EXPRESS



**Dovianus BV**

Leeuwenhoekweg 24 - 2661 CZ Bergschenhoek  
The Netherlands  
Phone +31 10 524 20 00  
Fax +31 10 524 20 29  
E-mail [info@dopak.nl](mailto:info@dopak.nl)

**Dopak Inc.**

4540 S. Pinemont, Suite 118  
Houston, Texas 77041  
Phone (713) 460-8311  
Fax (713) 460-8578  
E-mail [info@dopak.com](mailto:info@dopak.com)

[www.dopak.com](http://www.dopak.com)