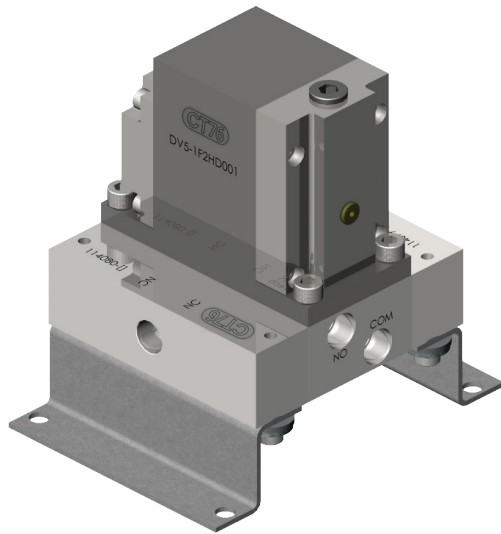




## DV5 SERIES

### 3-Way Switching Diaphragm Valves



Available as...

- Stand-alone
- Multi-stream manifold
- Surface mount modular (ANSI/ISA-76  $\mu$ MS<sup>3</sup>® sampling system)

The DV5 Series<sup>1</sup> diaphragm valve is totally free of springs, bellows, packing and lubricants in the process wetted area. Metal-to-metal seals to atmosphere ensure that there is no transport of undesirable elements into the flow stream. Elgiloy<sup>®</sup> diaphragms ensure the utmost in corrosion resistance and extended overall life span. For Elgiloy<sup>®</sup> chemical compatibility see the Technical Support section of the CT76 website at [www.76.com](http://www.76.com).

<sup>1</sup> Patent pending

#### **Features & Benefits**

- Integrated sweep loop in manifold
- 3-Way switching
- Surface mount ANSI/ISA-76 compliant\*
- Metal-to-metal seals to atmosphere to prevent leakage
- Replaceable valve seats for extended service life
- Wide choice of materials for virtually all applications
- No o-rings, springs, or lubricant in wetted flow path
- Very low internal volume (0.64 cc)
- Pneumatic actuation from top of manifold
- Pressures from vacuum (50 torr) to 500 psig (34 bar)
- Compact valve body (3" L x 2.3" H x 1.5" W)
- Interlocking pins between valve body and manifold baseplate to ensure 100% correct reassembly (not applicable for surface mount models)

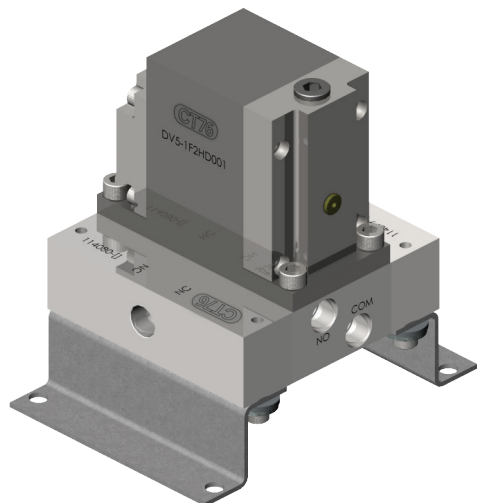
\* CT76 Base adapter plate required for non-CT76 manufactured surface mount systems-consult factory



Crane Instrumentation & Sampling

diaphragm valves

## TECHNICAL DATA



<b>BODY</b>	316L stainless steel, Monel® and Hastelloy® C-276
<b>SEATS</b>	PCTFE and PEEK™
<b>DIAPHRAGMS</b>	Elgiloy® AMS 5876
<b>ORIFICE SIZE</b>	0.110" (2.8 mm)
<b>FLOW CAPACITY</b>	0.13 Cv
<b>VALVE INTERNAL VOLUME*</b>	0.64 cc
<b>EXTERNAL LEAKAGE</b>	1 × 10 <sup>-5</sup> cc/sec helium (inboard)
<b>MIN. ACTUATION PRESSURE</b>	50 psig @ 50 psig process

\*\* Internal volume in machined passages of the valve body between mounting surface and sealing diaphragm(s).

### Operating Temperatures

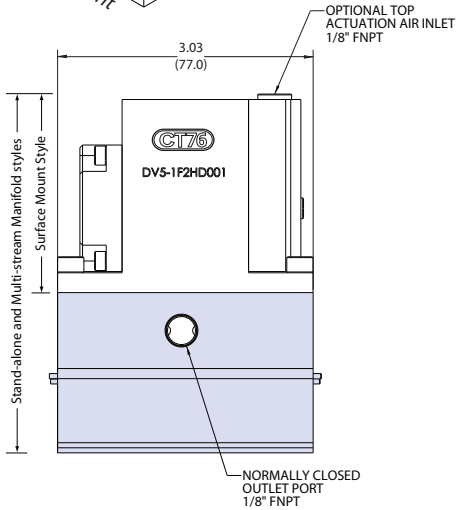
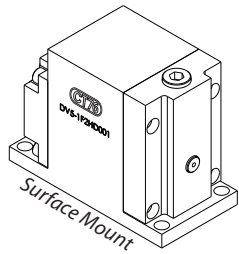
SEAT MATERIAL	TEMPERATURE	
PCTFE	-40° F to +212° F	-40° C to +100° C
PEEK™	0° F to +400° F	-18° C to +204° C

### Operating Pressures

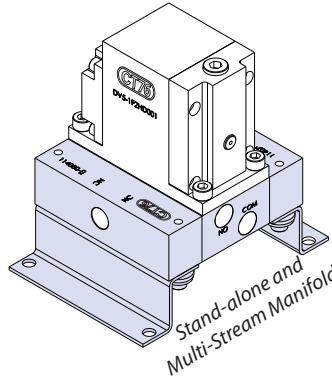
<b>OPERATING PRESSURE</b>	Vacuum (50 torr) to 500 psi (34 bar)
<b>PROOF PRESSURE</b>	2000 psig (138 barg)
<b>BURST PRESSURE</b>	8000 psig (552 barg)

## DIMENSIONS-ALL STYLES

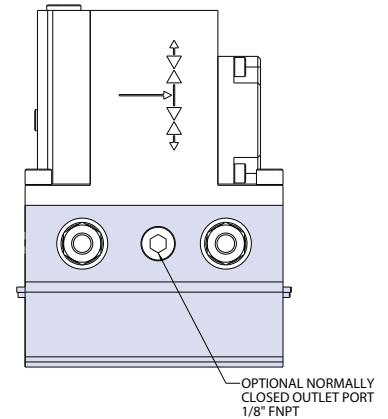
Dimensions are in inches (millimeters) for reference only and are subject to change.



Front side view

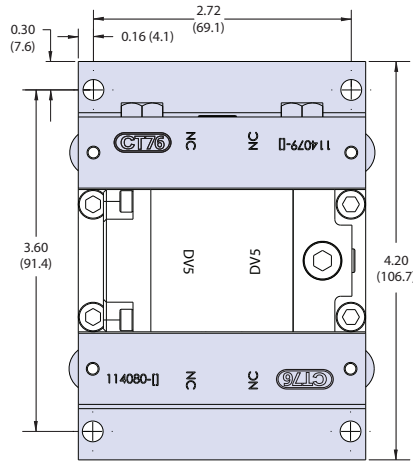


Shaded areas refer to parts and dimensions specific to stand-alone and Multi-stream manifold styles.

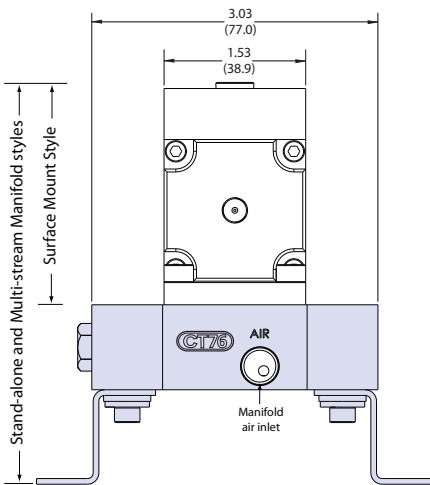


Back side view

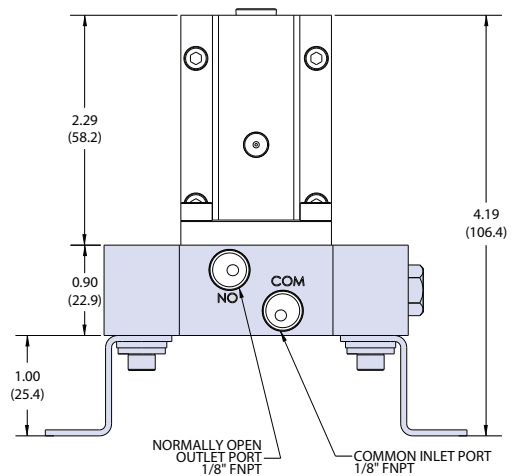
User can change from top air inlet to manifold air inlet by blocking top air inlet with 1/8" FNPT plug.



Top view



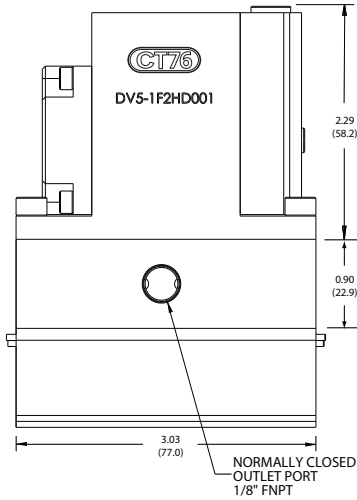
Left end view



Right end view

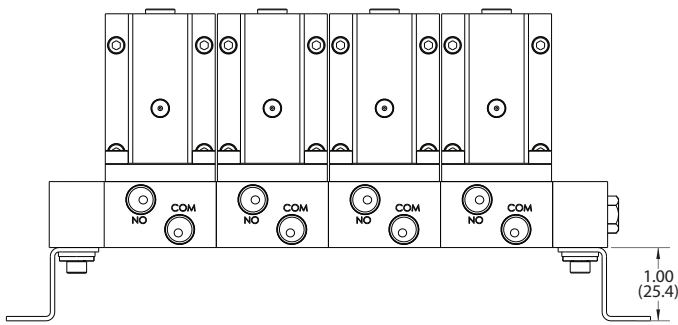
## DIMENSIONS- MULTI-STREAM MANIFOLD

Dimensions are in inches (millimeters) for reference only and are subject to change.

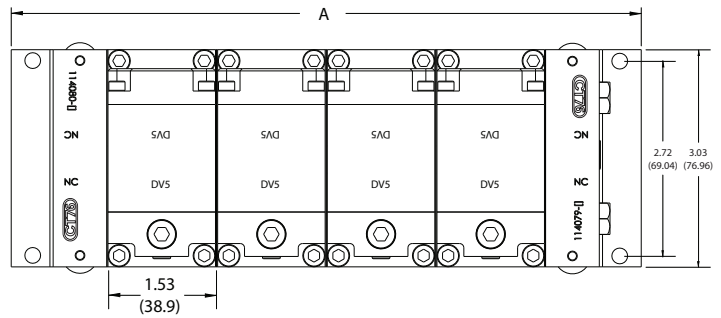


Front side view

NUMBER OF VALVES	A DIMENSION	
	INCHES	MM
1	3.60	91.4
2	5.13	134.6
3	6.66	169.2
4	8.19	208.0
5	9.72	246.9
6	11.25	285.8
7	12.78	324.6
8	14.31	363.5
9	15.84	402.3
10	17.37	441.2
11	18.90	480.1
12	20.43	518.9



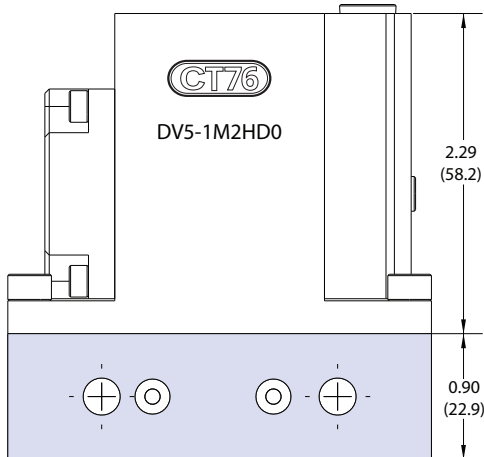
Right end view



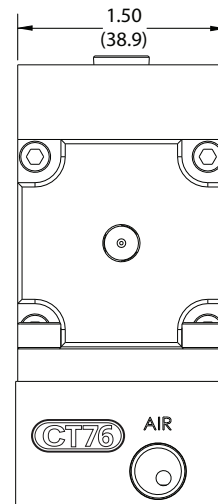
Top view

## DIMENSIONS - M2 EXPANSION MODULE

This module is a turn-key package for adding streams to the DV5. M2 Expansion Module includes one (1) surface mount valve, one (1) manifold baseplate, four (4) mounting screws, and seven (7) O-rings.

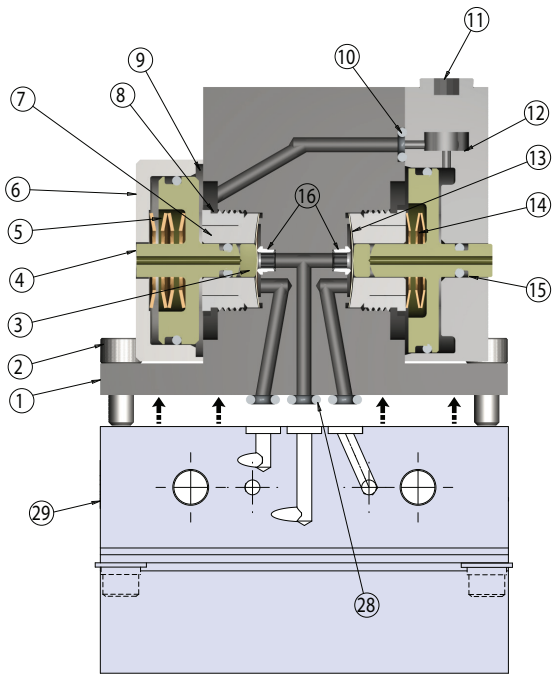


Front side view



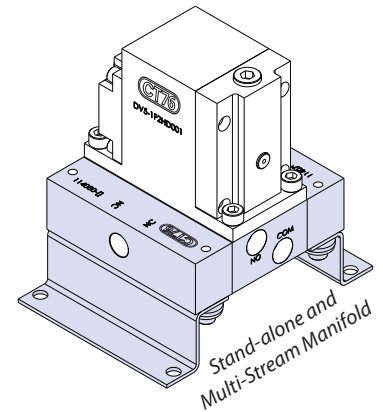
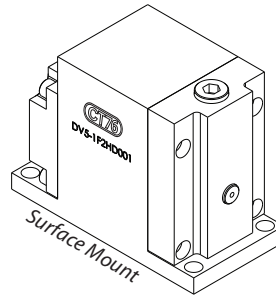
Left end view

# MATERIALS OF CONSTRUCTION-ALL STYLES



Front side view, sectioned

Shaded areas refer to parts and dimensions specific to stand-alone and Multi-stream manifold styles.



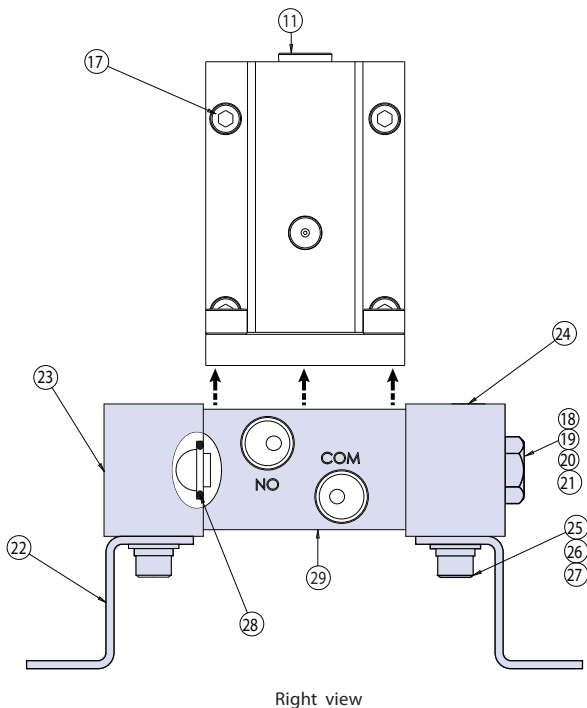
## All Styles – Valve Body

#	PART	MATERIALS
1	Body*	316L stainless steel, Monel® or Hastelloy® C-276
2	10-32 x .50 SHC screw	18-8 stainless steel
3	Thrust plug	Delrin® or PEEK™
4	N.C. piston	Delrin® or PEEK™
5	N.C. spring stack	18-8 stainless steel
6	N.C. cap	316L stainless steel
7	Compression collet	316L stainless steel
8	Retainer nut	316L stainless steel
9	O-ring	Viton®
10	O-ring	Viton®
11	Hex plug	316 stainless steel
12	N.O. Cap	316L stainless steel
13	Diaphragm*	Elgiloy®
14	N.O. spring stack	18-8 stainless steel
15	N.O. piston	Delrin® or PEEK™
16	Seat*	PCTFE or PEEK™
17	6-32 x .375 HSC Screw	18-8 Stainless steel

## Stand-Alone and Multi-Stream Manifold Styles

18	Threaded rod	18-8 stainless steel
19	.25" flat washer	301 stainless steel
20	.25" lock washer	18-8 stainless steel
21	Hex nut	18-8 stainless steel
22	Mounting bracket	316 stainless steel
23	Left end plate*	316L stainless steel, Monel® or Hastelloy® C-276
24	Right end plate*	316L stainless steel, Monel® or Hastelloy® C-276
25	8-32 SHCS screw	18-8 stainless steel
26	#8 flat washer	18-8 stainless steel
27	#8 lock washer	18-8 stainless steel
28	O-ring*	Viton® or Kalrez®
29	Manifold baseplate*	316L stainless steel, Monel® or Hastelloy® C-276

\* Wetted components

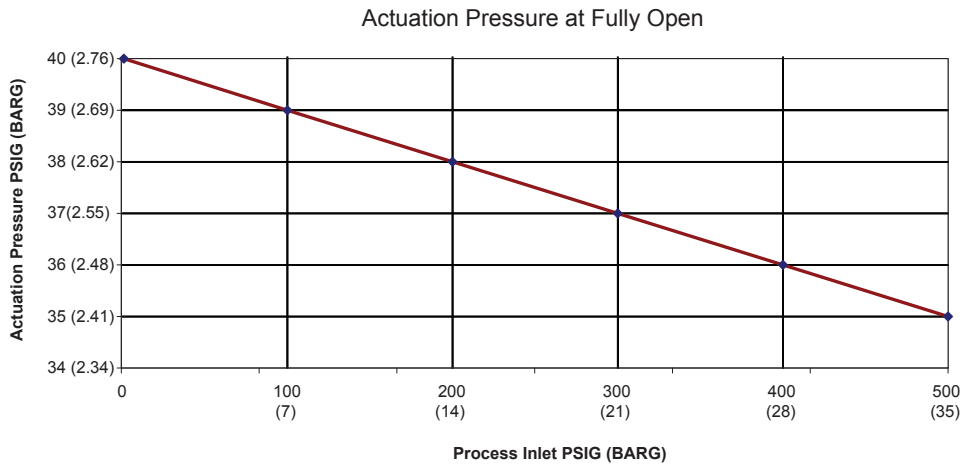


Right view

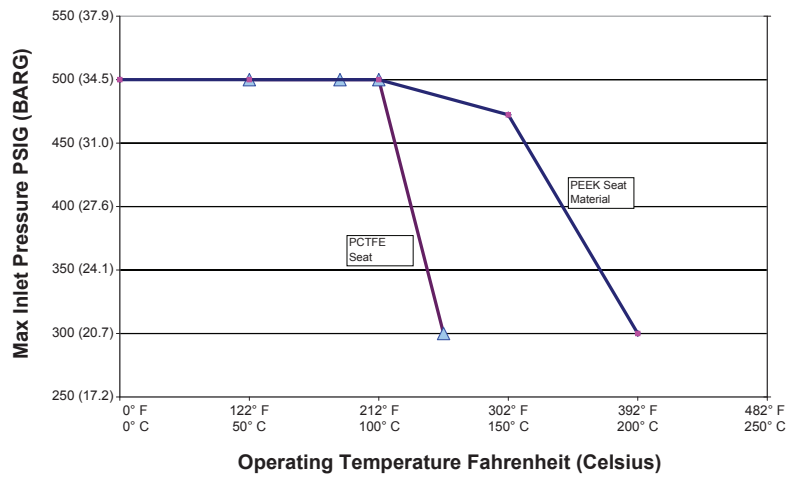
## DV5 SERIES

Dimensions are in inches (millimeters) for reference only and are subject to change.

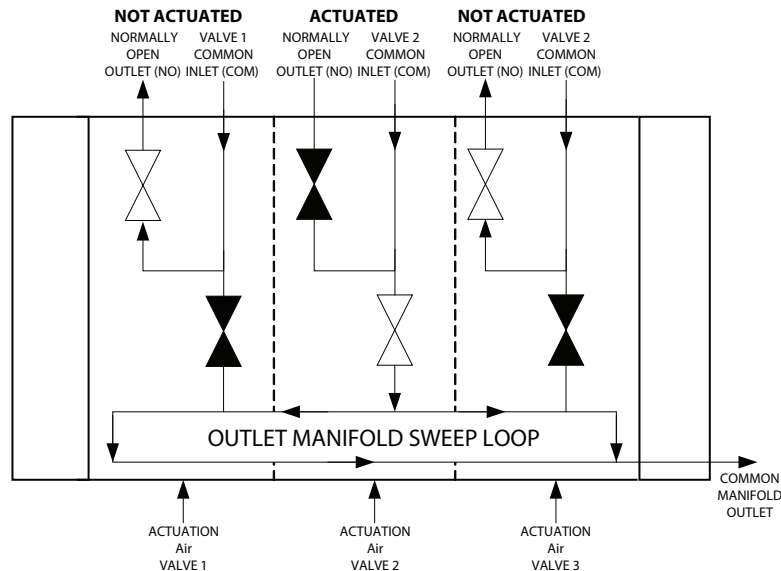
### ACTUATION PRESSURE CURVE



### PRESSURE TEMPERATURE CURVE



### TYPICAL FLOW SCHEMATIC FOR 3-VALVE STACK



## HOW TO ORDER

**STANDARD ITEMS IN BOLD.** Consult Customer Service for pricing and lead times for non-standard items. To order manifold components, see page 16.

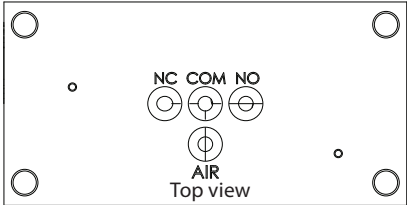
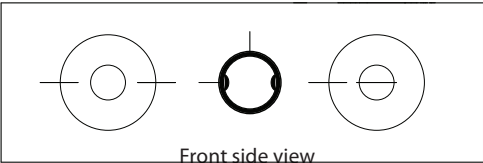
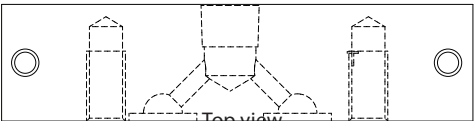
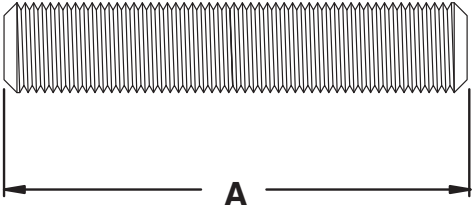



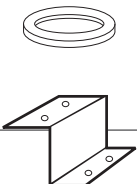
Product Family	Material Designator	Process Connection Type	Seat Material	Process O-Ring Material	Surface Treatment	# of Streams	Description
DV5	-						Double Block and Bleed valve
	1						SST
	4						Monel
	6						Hastelloy
		00					Modular mount valve *1
		F2					1/8" FNPT process connection option
			H				Kel-F Seat
			Q				Peek Seat
				X			Surface mount valve
				D			Viton® o-rings
				K			Perfluoroelastomer (Kalrez®) o-rings
				F			PTFE o-rings *2
					0		Finish as processed
					1		Cleaned for O2
					5		Silco Steel coated
					9		Sulfinert coated
						01	1 Valve stack
						02	2 Valve stack
						03	3 Valve stack
						04	4 Valve stack
						05	5 Valve stack
						06	6 Valve stack
						07	7 Valve stack
						08	8 Valve stack
						09	9 Valve stack
						10	10 Valve stack
						11	11 Valve stack
						12	12 Valve stack

## PART NUMBER EXAMPLE CONFIGURATION

Part Number	Description
DV5-1F2HD001	3 stream DV5 stack with 1/8" FNPT process connection, Kel-F seats, and Viton process o-rings
DV5-100HX0	Surface mount DV5 valve with Kel-F seats, and Viton process o-rings
Note *1	The -100 part number designator is used to identify a surface mount valve. This valve will not contain the 1/8" FNPT connection or manifold. The only acceptable process o-ring selection for the -100 version of the DV5 valve is X.
Note *2	PTFE o-rings are available however over time they exhibit some element of cold flow under the pressure of sealing which can potentially lead to flow restrictions or envelope leakage. If PTFE o-rings are desired it is suggested by CT76 that the valves be placed on an o-ring replacement preventative maintenance program to help offset unplanned down time due to the sample valves.

# DV5 SERIES

## DV5 Manifold Parts

IMAGE	DESCRIPTION	PART NUMBER	MATERIAL
 <p>NC COM NO AIR Top view</p>	Manifold baseplate with pins	CT114085-[]	-1: 316L stainless steel -4: Monel® -6: Hastelloy® C-276
 <p>Front side view</p>	Right end plate	CT114079-[]	-1: 316L stainless steel -4: Monel® -6: Hastelloy® C-276
 <p>Top view</p>	Left end plate	CT114080-[]	-1: 316L stainless steel -4: Monel® -6: Hastelloy® C-276
 <p>A</p>	Threaded rod: • 2-module • 3-module • 4-module • 5-module • 6-module • 7-module • 8-module • 9-module • 10-module • 11-module • 12-module	G111609-2 (A = 4.42") G111609-3 (A = 5.92") G111609-4 (A = 7.42") G111609-5 (A = 8.92") G111609-6 (A = 10.42") G111609-7 (A = 11.92") G111609-8 (A = 13.42") G111609-9 (A = 14.92") G111609-10 (A = 16.42") G111609-11 (A = 17.92") G111609-12 (A = 19.42")	18-8 stainless steel
	Nut, 1/4"-28	G074208	18-8 stainless steel
	Flat washer	G098023	18-8 stainless steel
	Lock washer	G098014	18-8 stainless steel
	O-ring	58-006-[]	-50: Viton® -53: Kalrez®
	Mounting bracket	CT112609	316 stainless steel







---

## The Small Bore Instrumentation Specialists

---



We specialize in small bore instrumentation products up to 2" that deliver benchmark performance quality & safety; provide the broadest array of superior alloy offerings in the market; decades of proven success in a wide range of industries; a roster of "who's who" customers & projects globally; original "Best Solution" engineering & designs; and are focused on continuous improvement in all aspects of our business.

### Proudly Distributed By:

---



CRANE INSTRUMENTATION & SAMPLING Inc.  
405 Centura Ct.  
Spartanburg, SC 29305, USA  
Tel: 1-864-574-7966  
PO Box 4866, Spartanburg, SC 29305-4866 USA

Crane Co., and its subsidiaries cannot accept responsibility for possible errors in catalogues, brochures, other printed materials, and website information. Crane Co. reserves the right to alter its products without notice, including products already on order provided that such alteration can be made without changes being necessary in specifications already agreed. All trademarks in this material are the property of the Crane Co. or its subsidiaries. The Crane and Crane brands logotype (CENTER LINE®, COMPAC-NOZ®, CRANE®, DEPA® & ELRO®, DOPAK®, DUO-CHEK®, FLOWSEAL®, GYROLOK®, GO REGULATOR®, HOKE®, JENKINS®, KROMBACH®, NOZ-CHEK®, PACIFIC VALVES®, RESISTOFLEX®, REVO®, SAUNDERS®, STOCKHAM®, TEXAS SAMPLING®, TRIANGLE®, UNI-CHEK®, VALVES®, WTA®, and XOMOX®) are registered trademarks of Crane Co. All rights reserved.